



a **Standex** company

ITEM: _____ PROJECT NAME: _____ DATE: _____

HIGH VOLUME NON-REFRIGERATED BAKERY CASE

**MODEL SGD3148
SGD3642 SGD3648
SGD5042 SGD5048
SGD5942 SGD5948
SGD7742 SGD7748**



Display more product and serve more customers with presentation and value in mind. Cases are available in lengths of 31", 36", 50", 59", and 77". Designed for continuous case line-ups without middle end glass.

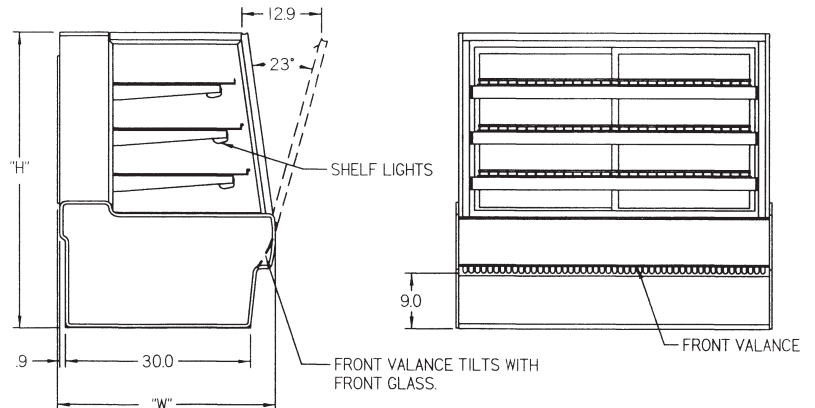
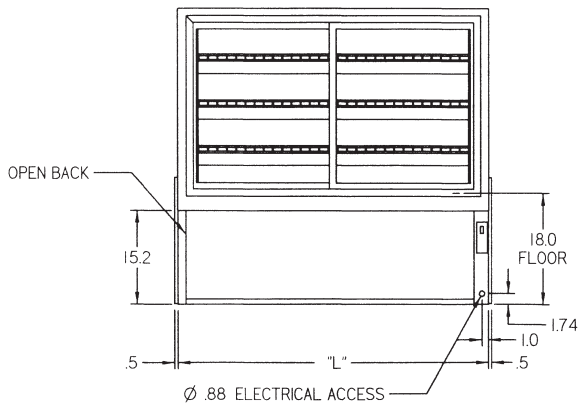
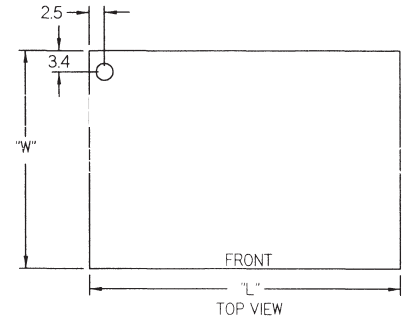
STANDARD FEATURES

- Adjustable white wire shelves. Shelves are adjustable up and down and can also be tilted in three positions. 48" models have three tiers of shelves; 42" models have two tiers of shelves.
- Tempered tilt-out front glass for easy cleaning. Front glass is sloped for high visual product display.
- Tempered glass top, ends, and doors.
- Removable sliding rear doors, shelf lights, shelf supports, and shelves.
- 31" and 36" have two swing doors.
- Shielded top light and shelf lights.
- Steel base construction with a choice of six standard laminates on base. Other finishes optional.
- Scratch-resistant, corrosion-proof white vented display deck.
- Designed for continuous line-ups.
- Black trim.
- UL Safety and UL Sanitation Listed.

HIGH VOLUME NON-REFRIGERATED BAKERY CASE

OPTIONAL ACCESSORIES:

- Special Base Finish
- Glass Shelves
- Rear Wrapping Board
- Cord & Plug (NEMA 5-15P)
- Fan Kit
- Black, Gold, or Chrome Wire Shelves
- Reflective Ends
- White or Mirrored Interior Ends with Laminated Exterior
- Reflective Rear Doors
- Casters/Cord & Plug Included
- Legs
- Top Cutting Board, White
- Package Shelf
- Light Below Package Shelf
- Front Glass & Rear Door Locks
- Joining Kit for Continuous Line-ups



SPECIFICATIONS:

| Model | Dimensions | | | Shipping Weight (lbs.) | Bakery Pan Capacity | Electrical (120/60/1) |
|---------|------------|--------|-----|------------------------|------------------------------|-----------------------|
| | L | W | H | | | |
| SGD3148 | 31.13" | 35.31" | 48" | 270 | 4 (18" x 26") & 4 (9" x 26") | 1.5 AMPS |
| SGD3642 | 36.13" | 35.31" | 42" | 385 | 3 (18" x 26") & 3 (9" x 26") | 1.5 AMPS |
| SGD3648 | 36.13" | 35.31" | 48" | 400 | 4 (18" x 26") & 4 (9" x 26") | 1.5 AMPS |
| SGD5042 | 50.13" | 35.31" | 42" | 425 | 6 (18" x 26") & 3 (9" x 26") | 1.5 AMPS |
| SGD5048 | 50.13" | 35.31" | 48" | 480 | 8 (18" x 26") & 4 (9" x 26") | 1.5 AMPS |
| SGD5942 | 59.13" | 35.31" | 42" | 505 | 9 (18" x 26") | 1.5 AMPS |
| SGD5948 | 59.13" | 35.31" | 48" | 535 | 12 (18" x 26") | 1.5 AMPS |
| SGD7742 | 77.13" | 35.31" | 42" | 685 | 12 (18" x 26") | 1.5 AMPS |
| SGD7748 | 77.13" | 35.31" | 48" | 715 | 16 (18" x 26") | 1.5 AMPS |

- If a GFCI circuit is required, a GFCI Breaker Must be used instead of GFCI receptacle.
- Due to continuing engineering improvements, specifications are subject to change without notice.



Look to Federal for Innovative Merchandising



The Signature of Quality

FEDERAL INDUSTRIES
A Standex Company

215 FEDERAL AVENUE, BELLEVILLE, WISCONSIN 53508-9201

PHONE: 800-356-4206

EMAIL: geninfo@federalind.com

FAX: 608-424-3234

WEBSITE: www.federalind.com

