



Your Solutions Partner

Specifications

F.O.B. Sedalia, Missouri 65301



E-3-CBSS (shown with optional maple cutting board)

OPTIONS:

- 10" wide maple carving board, stainless steel brackets
- 14 gauge tops
- Heated base module
- 3-phase wiring
- Sliding Doors
- Cord and plug
- Adaptor plates
- Casters (add cord and plug), 5" swivel with locks
- Casters (add cord and plug), 5" swivel no lock
- Veneered panels
- 1/2" poly cutting surface added to stainless steel carving board
- Foodshields
- Trayslides and carving boards
- Push Bar
- Electric outlet in base
- Telescoping cover
- Pass through body
- Exposed element heat well and spillage pan
- Dish Shelf under cutting board
- Individual drain valves

Approval Stamp(s):

PRODUCT INFORMATION:

PROJECT: _____

ITEM: _____

QUANTITY: _____

MODEL:

Thurmaduke® Steamtables

Hot Food Units - Electric - Standard

- E-2-CBPG/E-2-CBSS 2 top openings
- E-3-CBPG/E-3-CBSS 3 top openings
- E-4-CBPG/E-4-CBSS 4 top openings
- E-5-CBPG/E-5-CBSS 5 top openings
- E-6-CBPG/E-6-CBSS 6 top openings

TOP:

- One piece. 16 gauge, 300 Series stainless steel
- Top openings die - stamped. 12" x 20"

HEAT COMPARTMENTS:

- Sealed wells with drains copper manifolds and brass master valve
- 750 watt element at 120, 208, or 240 volt / single or 3-phase
- Robertshaw thermostat w/indicator light per section
- Master toggle switch w/indicator light - entire unit
- 12" x 20" stainless steel liner, 6-1/2 deep

BODY AND INTERIOR SHELF:

- 300 Series stainless steel
- Paint grip steel
- End panels
- 6" polished stainless steel adjustable legs
- 300 Series stainless steel control panel
- Wire knob guards
- Full bottom shelf to match body

Certifications



Specification subject to change



DUKE MANUFACTURING CO.

2305 N. Broadway

St. Louis, MO 63102

800.735.3853 Toll Free

314.231.5074 Fax

www.dukemfg.com

SS-1098 Thurmaduke Hot Holding Electric - Standard

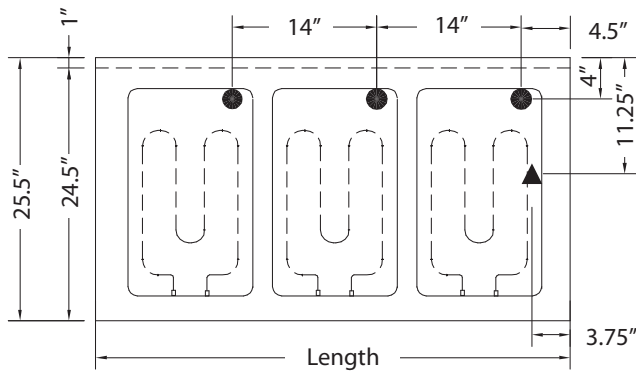
Thurmaduke®

Steamtables Hot Food Units - Electric - Standard

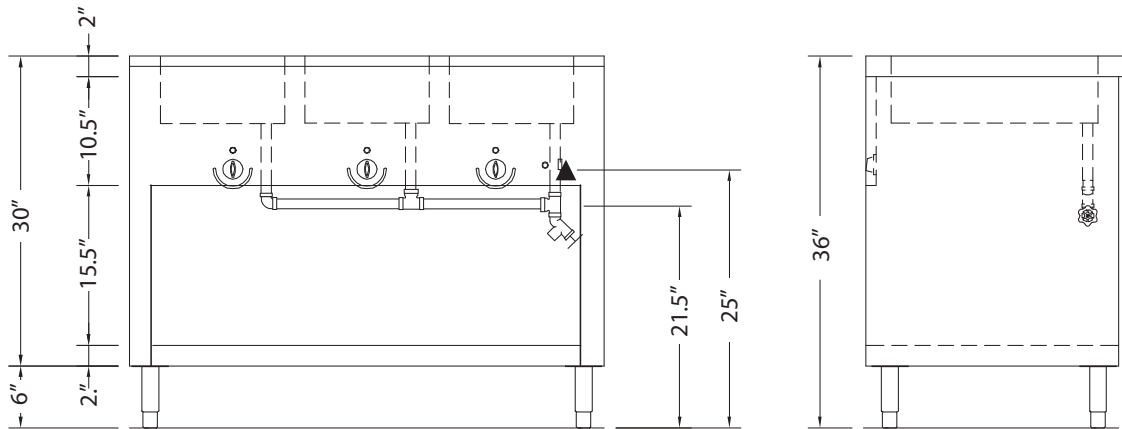
A.I.A. File No. 35-C-13

Catalog No. TST-STELECHOT

THURMADUKE® STEAMTABLES - HOT FOOD - ELECTRIC - STANDARD



LEGEND	
▲	ELECTRICAL CONNECTION
●	DRAIN LOCATION



DIMENSIONS:

FREIGHT CLASS: 150

Model		Length		Depth		Height		Top Openings	Cube ft. Crated	Weight	
Enameled	Stainless	in	cm	in	cm	in	cm			lbs	kg
E-2-CBPG	E-2-CBSS	32	81.3	25-1/2	64.8	36	91.4	2	28.1	210	95.5
E-3-CBPG	E-3-CBSS	46	116.8	25-1/2	64.8	36	91.4	3	39.6	264	120.0
E-4-CBPG	E-4-CBSS	60	152.4	25-1/2	64.8	36	91.4	4	51.2	344	156.4
E-5-CBPG	E-5-CBSS	74	188.0	25-1/2	64.8	36	91.4	5	62.3	433	196.8
E-6-CBPG	E-6-CBSS	88	223.5	25-1/2	64.8	36	91.4	6	74.3	527	239.6

ELECTRICAL SPECIFICATIONS:

Cord & NEMA plug NOT included

Model	120 Volt - 750 watt elements			208 Volt - 750 watt elements			240 Volt - 750 watt elements		
	Watts	Amps	NEMA	Watts	Amps	NEMA	Watts	Amps	NEMA
E-2-CBPG/SS	1500	12.5	5-15	1500	7.2	6-20	1500	6.3	6-20
E-3-CBPG/SS	2250	18.8	L5-30	2250	10.8	6-20	2250	9.4	6-20
E-4-CBPG/SS	3000	25.0	5-50	3000	14.4	6-20	3000	12.5	6-20
E-5-CBPG/SS	3750	31.3	5-50	3750	18.0	L6-30	3750	15.9	6-20
E-6-CBPG/SS	N/A			4500	21.6	L6-30	4500	18.8	L6-30



Duke Manufacturing Co.
2305 N. Broadway
St. Louis, MO 63102

Phone: 314-231-1130
Toll Free: 1-800-735-3853
Fax: 314-231-5074

www.dukemfg.com

Printed in U.S.A
© 2019, Duke Manufacturing Co.