

LIMITED SPACE? NO PROBLEM.

MINI STATIONS WITH SPOONS

Keep up to (4) toppings cold and stored where you need them with modular Mini Stations



Clear plastic hinged lid allows for quick product identification

Keep food cold up to (4) hours between changeouts with ice packs (94013) or ice



Place mini stations in front of standard stations to fit even more toppings in the same width



1.800.558.8722
Server-Products.com



MINI STATIONS WITH SPOONS

Modes MB-2, MB-3 & MB-4

Food Applications

- Keep toppings cold for breakfast bars or dessert stations
- Hold cocktail garnish close by, stocked and cool

Fast Facts

Server's insulated Mini Stations hold food cold where you need it. Exclusive 1/9-size jars are 6" deep and hold 60 oz; almost twice as much as standard 4" deep pans, so you get more toppings in the same footprint.

Clear, hinged lid keeps product visible and closes around the clear, 1/2 oz ladle.

Add ice or 94013 ice packs (sold separate) to cool without electricity.

Need more options? See the Mini Station Component Guide to create your own combo.



MINI STATIONS WITH SPOONS Models MB-2, MB-3 & MB-4

GOOD THINGS DO COME IN SMALL PACKAGES.

MINI STATIONS WITH SPOONS

Models MB-2, MB-3 & MB-4

Specifier Statement

Server Products Mini Stations are constructed of an insulated base with stainless steel housing, are for countertop use. Models include appropriate number of 6" deep, black plastic 1/9-size jars, clear plastic hinged lids and 1/2 oz clear plastic spoons. Stations can be iced or accept round eutectic ice packs (94013) (sold separately); MB-4 and MB-3 accept (2), MB-2 accepts (1). NSF listed. Two-year warranty. Ships FOB Richfield, WI 53076.

Product Code

- 2-jar Mini Station MB-2 87470
- 3-jar Mini Station MB-3 87290
- 4-jar Mini Station MB-4 87480

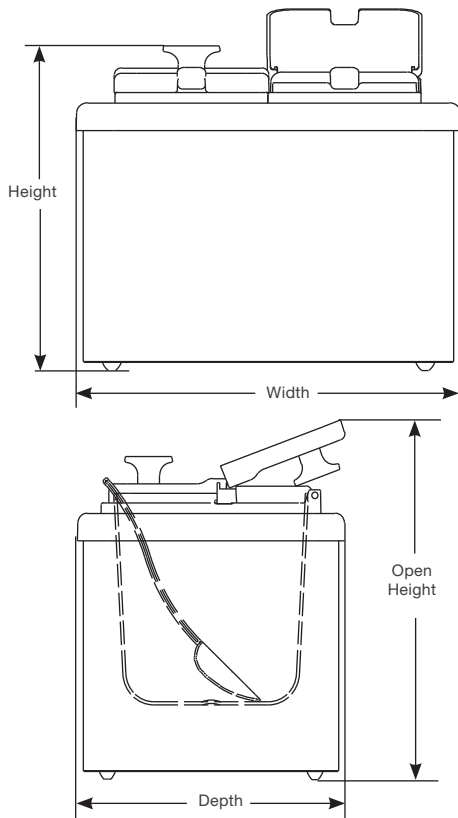
Specifications

Part Number	Capacity	Dimensions (height x width x depth)	Open Height	Weight
87470	1.9 qt	9 9/16" x 10 1/16" x 8 3/8"	10 11/16"	6 lb
	1.8 L	24.3 x 25.4 x 21.3 cm	27.1 cm	2.7 kg
87290	1.9 qt	9 9/16" x 14 1/8" x 8 3/8"	10 11/16"	8 lb
	1.8 L	24.3 x 35.9 x 21.3 cm	27.1 cm	3.6 kg
87480	1.9 qt	9 9/16" x 18 1/8" x 8 1/4"	10 11/16"	10 lb
	1.8 L	24.3 x 46 x 21.3 cm	27.1 cm	4.5 kg



Accessory Items

- 1/9-size jar, 3 1/2", 41 oz, black plastic 87202
- 1/9-size jar, 6", 60 oz, black plastic 87203
- 1/2 oz (15 mL) clear plastic spoon 85156
- Eutectic ice pack, round 94013



Server Products, Inc. 800.558.8722 | Intl: 262.628.5600
 3601 Pleasant Hill Road | Richfield WI 53076
 spsales@server-products.com | server-products.com