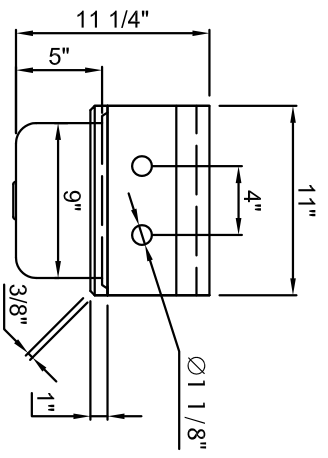
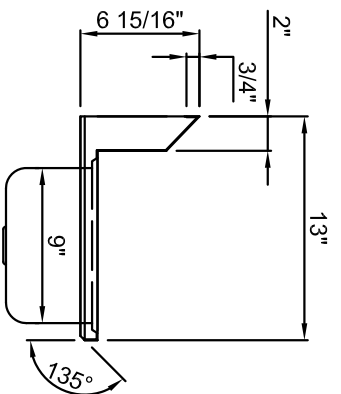


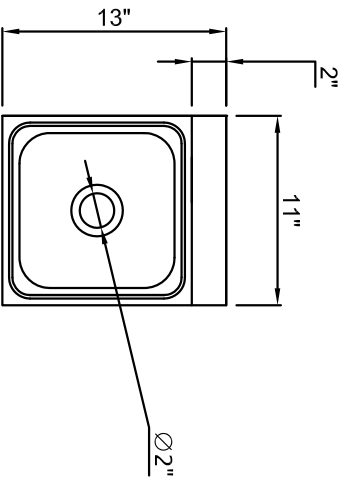
● STAINLESS STEEL  
CONSTRUCTION.



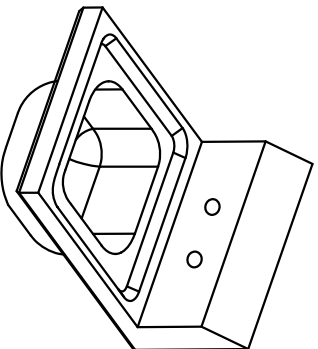
**FRONT ELEVATION**



**SIDE VIEW**



**PLAN VIEW**



**ISOMETRIC**

DRAWN FOR :	MAT. TOP : S/S BASE :	DATE	REVISIONS
REF. NO. :	REQ'D/ITEM :		
ITEM NAME : Space Saving Hand Sink	DATE : Feb/ 24/ 2012		
PROD. NO. : SSHS-1000	BY :		
SCALE: 1/2" = 1'-0"	CHECKED BY :		

**KLINGER'S  
TRADING**