



Your Solutions Partner

# Specifications

F.O.B. Sedalia, Missouri 65301



## 304-25

Shown with optional shelf and cutting board

### OPTIONS:

- Gas thermostats
- Safety pilots
- Stainless steel liner
- Designer Foodshields
- Trayslides
- Adapter panels
- Telescope and flat covers
- Insets
- Spillage Pans
- Stainless steel carving boards
- Wood carving boards
- Kick plates
- Stainless steel dish shelf
- Drop brackets on tray slide
- Drop brackets on carving board
- Omit bottom shelf
- Tier of stainless steel angle sides
- Veneered plastic laminate panels on body
- Special powder coat painted body

### AGENCY LISTINGS:



NSF/ANSI 4

DUKE MANUFACTURING CO.

2305 N. Broadway

St. Louis, MO 63102

800.735.3853 Toll Free

314.231.5074 Fax

www.dukemfg.com

SS-1003 AeroServ Counter Hot Food - Gas

## Approval Stamp(s):

### PRODUCT INFORMATION:

PROJECT: \_\_\_\_\_

ITEM: \_\_\_\_\_

QUANTITY: \_\_\_\_\_

### MODEL:

AeroServ Serving Systems

Hot Food Units - Gas

- 302-25 32"L - 2 top openings
- 303-25 46"L - 3 top openings
- 304-25 60"L - 4 top openings
- 305-25 74"L - 5 top openings

### BODY:

- Paint grip or stainless steel
- Choice of (12) powder coat paint colors
- Flanged or channeled edges
- Welded together with local reinforcements
- Mounted on 6" stainless steel legs with adjustable feet

### TOP:

- 20 gauge, 300 Series stainless steel
- Die stamped openings - 12" x 20"

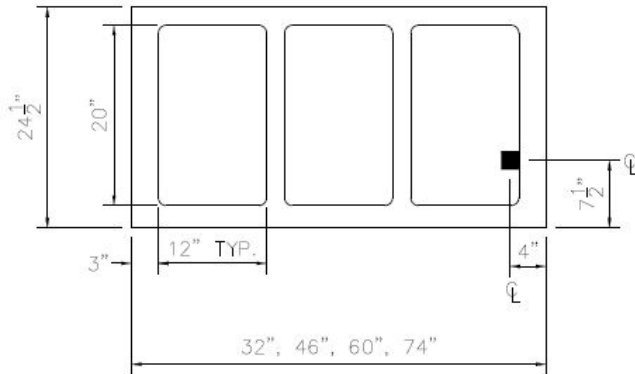
### HEAT COMPARTMENTS:

- Heavy gauge galvanized steel - 8" deep
- Insulated on all four sides and bottom with fiberglass
- Controlled by adjustable manual gas valve with pilot light
- Galvanized radiation plate in each compartment
- Gas pressure regulator for each unit

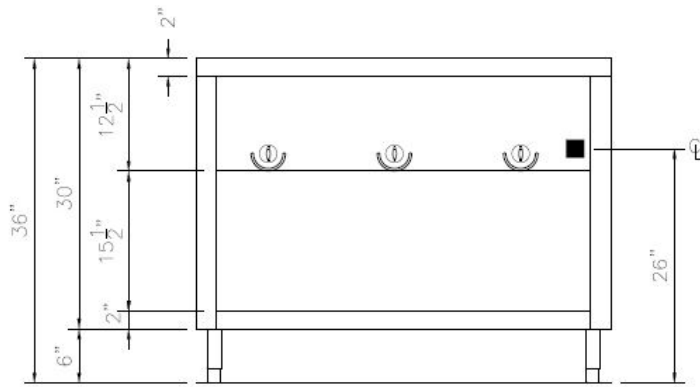
Specification subject to change



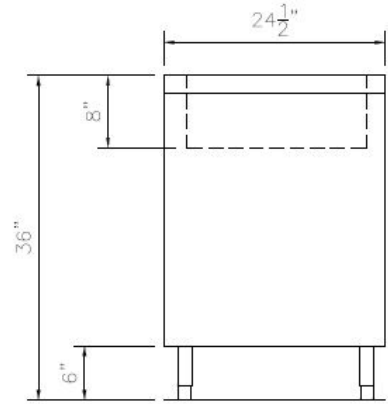
# AeroServ



TOP VIEW



FRONT VIEW



RIGHT SIDE VIEW

**DIMENSIONS:**

**Freight Class: 150**

Model	Length		Width		Height		Top Openings	Cube ft. crated	Weight	
	in	cm	in	cm	in	cm			lbs	kg
302-25	32	81.3	24-1/2	62.2	36	91.4	2	27.6	220	110.0
303-25	46	116.8	24-1/2	62.2	36	91.4	3	37.7	284	129.1
304-25	60	152.4	24-1/2	62.2	36	91.4	4	47.9	349	158.6
305-25	74	188.0	24-1/2	62.2	36	91.4	5	58.1	419	190.5

**POWER SUPPLY:**

*High altitude orifice available - specify elevation.*

*No combustible materials should be stored on bottom shelf.*

Model	# Burners	Total BTU
302-25	2	5,000
303-25	3	7,500
304-25	4	10,000
305-25	5	12,500

**SPECIFY NATURAL OR PROPANE**

