



Glo-Ray® Fry Holding Stations

Models: GRFHS-16, -21, -22, -26, -PT16, -PT26, -PTT16, -PTT21

Hatco offers convenient Glo-Ray® Fry Holding Stations that can be placed where they are most needed - next to a fryer! Glo-Ray heat technology offers you the ability to keep fried foods at optimum temperatures, ready to serve, without cooking or drying them out.

Standard features

- Ceramic heating elements above, allowing ample space between the warmer and food bin to empty baskets
- Pre-set thermostatically-controlled heated base maintains uniform holding temperatures from below
- Various hardcoated fry ribbons stage boxed or bagged products for quick service areas
- PT and PTT models are pass-through style
- Pass-thru tunnel is available with models GRFHS-PTT16 and -PTT21
- Sectional divider permits holding of multiple products
- Models have 16.75", 18", or 20" (425, 457, or 508 mm) clearances
- Bottom trivet lifts food off the bottom of the station promoting air movement and reduces the build up of moisture

Project _____

Item # _____

Quantity _____



Options (available at time of purchase only)

- Halogen Bulb in lieu of Standard Display Light (60 watt) – 120V only
- Left or Right side Cutout (GRFHS-16, -21, and -26) – Adds 1.7" (43 mm) to width of unit)
- 6" (15 mm) deep pan (GRFHS-PT26)
- Infinite Control (metal sheathed GRFS models only)

Accessories

- 5-Pleat Hardcoated French Fry Box Ribbon (excluding GRFHS-PTT16)
 - 8-Pleat Hardcoated French Fry Bag Ribbon (excluding GRFHS-PTT16)
 - 4-Pleat Hardcoated Fry Box Ribbon (GRFHS-16, -26, & -PTT16)
 - 5-Pleat Hardcoated Fry Bag Ribbon (GRFHS-16, -26, & -PTT16)
 - 5-Pleat Hardcoated Fry Box Ribbon (GRFHS-21)
 - 7-Pleat Hardcoated Fry Bag Ribbon (GRFHS-21)
 - 10-Pleat Hardcoated Fry Bag Ribbon (GRFHS-PT26 & -PTT21)
 - 10-Pleat Hardcoated Hashbrown Ribbon (GRFHS-PTT16)
 - 5" (127 mm) side-by-side bag holder (GRFHS-21)
 - Scoop Holder - adds 1.25" (32 mm) to overall product width for each scoop holder (one standard on GRFHS-PT26, -PTT21) (not available for the GRFHS-22)
 - Additional Sectional Dividers (one standard on GRFHS-PT26, PTT16, -PTT21 models, not available for GRFHS-22)
 - Food Pans (not available for the GRFHS-22)
 - Wire Trivet (not available for the GRFHS-22)
- ChefLED Bulb in lieu of Standard Display Light (60 watt) –
- | | |
|---|---|
| 120V | 230V (CE for input voltages above 200V) |
| <input type="checkbox"/> CLED-2700-120 Warm light | <input type="checkbox"/> CLED-2700-230 Warm light |
| <input type="checkbox"/> CLED-3000-120 Warm light | <input type="checkbox"/> CLED-3000-230 Warm light |
| <input type="checkbox"/> CLED-4000-120 Cool light | <input type="checkbox"/> CLED-4000-230 Cool light |

For operation, location and safety information, please refer to the Installation & Operating Manual.



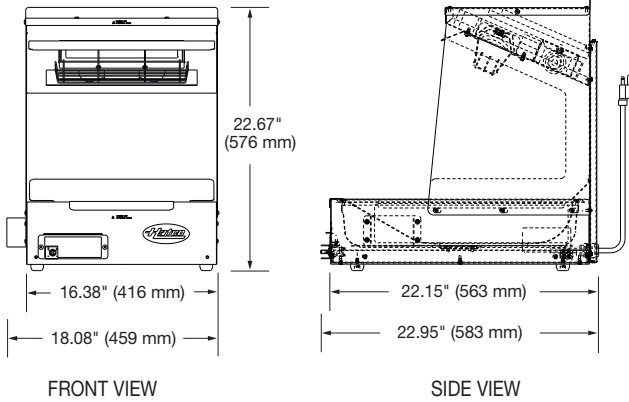
HATCO CORPORATION | P.O. Box 340500 Milwaukee, WI 53234-0500 U.S.A.
(800) 558-0607 | (414) 671-6350 | www.hatcocorp.com | support@hatcocorp.com



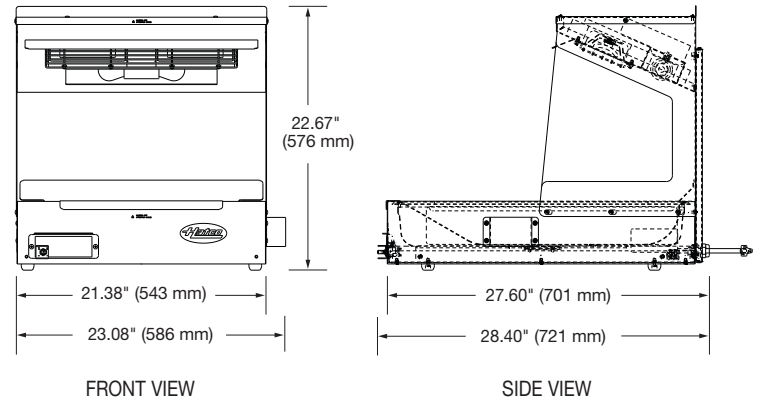
Glo-Ray® Fry Holding Stations

Models: GRFHS-16, -21, -22, -26, -PT16, -PT26, -PTT16, -PTT21

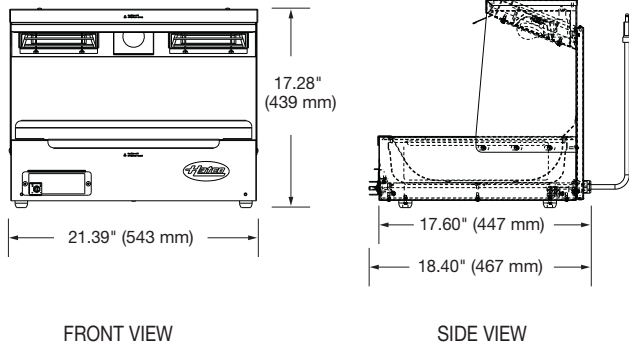
GRFHS-16



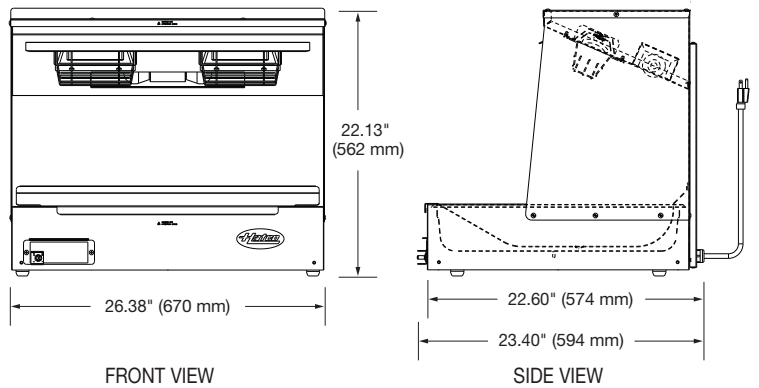
GRFHS-21



GRFHS-22



GRFHS-26



SPECIFICATIONS Glo-Ray® Portable Fry Holding Stations

The shaded areas contain electrical information for International models

Model	Dimensions (W x D x H)	Volts (Single Phase)	Watts	Amps	Plug	Ship Weight*
GRFHS-16	18.08" x 22.95" x 22.67" (459 x 583 x 576 mm)	100	878	8.8	JIS C 8303	51 lbs. (24 kg)
		120	1090	9.1	NEMA 5-15P	
		220 ^z	1057	4.8	BS-1363	
		220-230 (CE)	1057-1155	4.8-5.0	CEE 7/7 Schuko	
		230-240 (CE)	1019-1110	4.4-4.6	BS-1363	
GRFHS-21	23.08" x 28.40" x 22.67" (586 x 721 x 576 mm)	100	1007	10.1	JIS C 8303	63 lbs. (29 kg)
		120	1200	10.0	NEMA 5-15P	
		220 ^z	1218	5.5	BS-1363	
		220-230 (CE)	1218-1332	5.5-5.8	CEE 7/7 Schuko	
		230-240 (CE)	1102-1200	4.8-5.0	BS-1363	
GRFHS-22	21.39" x 18.40" x 17.28" (543 x 467 x 439 mm)	100	847	8.5	JIS C 8303	44 lbs. (20 kg)
		120	1030	8.6	NEMA 5-15P	
		220 ^z	1076	4.9	BS-1363	
		220-230 (CE)	1076-1176	4.9-5.1	CEE 7/7 Schuko	
		230-240 (CE)	1176-1280	5.1-5.3	BS-1363	
GRFHS-26	26.38" x 23.40" x 22.13" (670 x 594 x 562 mm)	100	1007	10.1	JIS C 8303	66 lbs. (30 kg)
		120	1200	10.0	NEMA 5-15P	
		220 ^z	1243	5.7	BS-1363	
		220-230 (CE)	1243-1359	5.7-5.9	CEE 7/7 Schuko	
		230-240 (CE)	1128-1229	4.9-5.1	BS-1363	

* Shipping weight includes packaging.

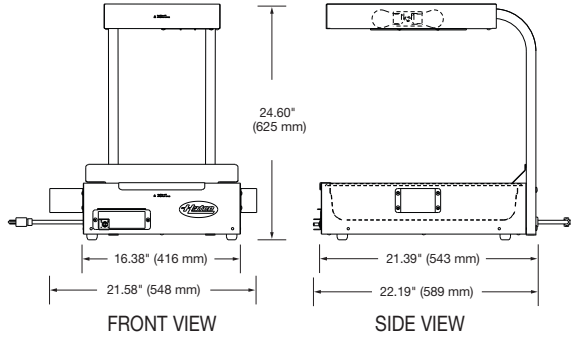
^z 60 Hz



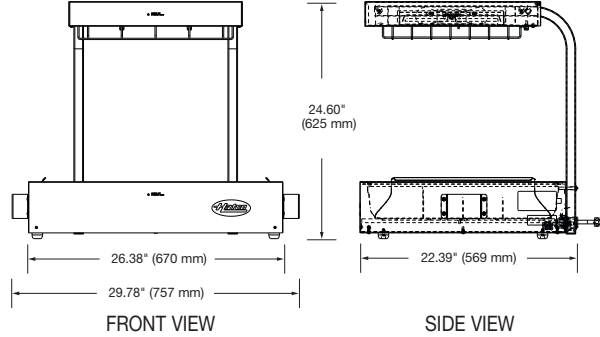
Glo-Ray® Fry Holding Stations

Models: GRFHS-16, -21, -22, -26, -PT16, -PT26, -PTT16, -PTT21

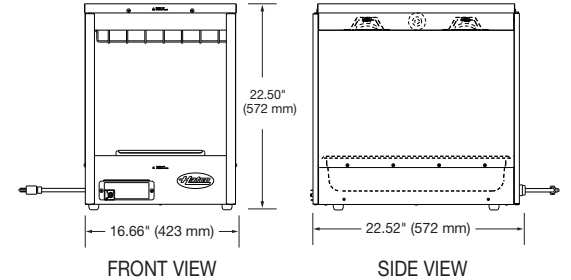
GRFHS-PT16



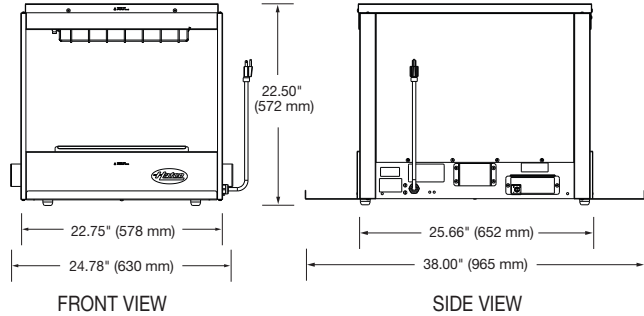
GRFHS-PT26



GRFHS-PTT16



GRFHS-PTT21



SPECIFICATIONS

Glo-Ray® Portable Fry Holding Stations - Pass Through

The shaded areas contain electrical information for International models

Model	Dimensions (W x D x H)	Volts (Single Phase)	Watts	Amps	Plug	Ship Weight*
GRFHS-PT16	21.58" x 23.95" x 24.875" (548 x 608 x 632 mm)	100	861	8.6	JIS C 8303	60 lbs. (27 kg)
		120	1090	9.1	NEMA 5-15P	
		220 ^z	1057	4.8	BS-1363	
		220-230 (CE)	1057-1155	4.8 - 5.0	CEE 7/7 Schuko	
		230-240 (CE)	1019-1110	4.4 - 4.6	BS-1363	
GRFHS-PT26	29.4" x 22.71" x 24.71" (747 x 577 x 628 mm)	100	1208	12.1	JIS C 8303	64 lbs (29 kg)
		120	1440	12.0	NEMA 5-15P	
		220 ^z	1233	5.6	BS-1363	
		220-230 (CE)	1233-1347	5.6-5.9	CEE 7/7 Schuko	
		230-240 (CE)	1347-1468	5.9-6.1	BS-1363	
GRFHS-PTT16	16.7" x 22.5" x 22.5" (423 x 572 x 572 mm)	120	1300	10.8	NEMA 5-15P	65 lbs (29 kg)
GRFHS-PTT21	22.63" x 38" x 22.64" (575 x 965 x 575 mm)	100	1347	13.5	JIS C 8303	100 lbs. (46 kg)
		120	1740	14.5	NEMA 5-15P [▲]	
		220 ^z	1486	6.8	BS-1363	
		220-230 (CE)	1486-1624	6.8-7.1	CEE 7/7 Schuko	
		230-240 (CE)	1624-1768	7.1-7.4	BS-1363	

* Shipping weight includes packaging.

▲ Canada model uses NEMA 5-20P.

^z 60 Hz

CORD LOCATION

GRFHS-16, -21, -26, -PT26: Back side, lower right corner.

GRFHS-PTT16, -PTT21: Lower right-hand side.

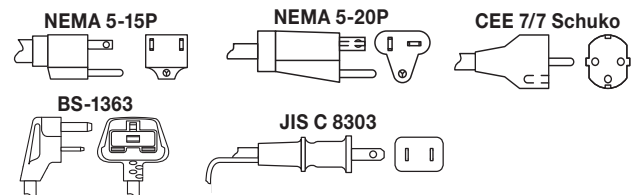
PRODUCT SPECS

Glo-Ray® Fry Holding Stations

The Fry Holding Station shall be a Glo-Ray® manufactured by the Hatco Corporation, Milwaukee, WI 53234 U.S.A.

The Fry Holding Station shall be rated at ... watts, ... volts, and be ... inches (millimeters) in overall width. It shall consist of either a stainless steel housing or an

PLUG CONFIGURATIONS



aluminum housing with ceramic. Pre-set thermostatically controlled based heat. Portable warmer features wire guards, shatter-resistant incandescent display lights, a lighted on-off switch, and 6' (1829 mm) cord and plug.

Warranty consists of 24/7 parts and service assistance (U.S. and Canada only).

HATCO CORPORATION

(800) 558-0607 | (414) 671-6350

P.O. Box 340500 Milwaukee, WI 53234-0500 U.S.A.

www.hatcocorp.com | support@hatcocorp.com