



Project \_\_\_\_\_  
 Item # \_\_\_\_\_  
 Quantity \_\_\_\_\_

# Glo-Ray® Slant Merchandising Display Warmers

Models: GRSDS-24T, -36T

Hatco's Glo-Ray® Slant Merchandising Display Warmers are designed specifically to hold hot wrapped or boxed product safely, and at proper serving temperatures. With pre-focused infrared top heat and a thermostatically-controlled hardcoated heated base, providing optimal holding times. They offer the convenience of self-serve and the efficiency of kitchen-to-server holding.

## Standard features

- Shelves are slanted for the convenience of self-service
- Models have pre-focused infrared top heat directing heat to the outer edges of the holding surface where heat loss is the greatest
- Thermostatically-controlled, hardcoated heated base has a temperature range of 185°- 200°F (85°- 93°C)
- Coated shatter-resistant incandescent lights enhance product display while safeguarding food products from bulb breakage
- NSF require units over 36" (914 mm) in width or weighing more than 80 lbs. (36 kg) to be either sealed, or raised on the installation surface with the 4" (102 mm) legs included
- Standard units shipped with: tempered glass side panels, hardcoated shelves, coated shatter-resistant incandescent lights, adjustable dividers, 4" (102 mm) legs, and a 6' (1829 mm) cord with plug



GRSDS-24T  
Slant triple shelf

## Options (available at time of purchase only)

### Designer Colors

Non-standard colors are non-returnable – Glossy Gray standard

- Warm Red     Black     Gray Granite     White Granite  
 Navy Blue     Hunter Green     Antique Copper

- LED Indicating Temperature Control
- Stainless Steel End Panels in lieu of Glass End Panels
- 5" (127 mm) Sneeze Guard (customer side only)
  - 24" ( 609 mm) model     30" ( 762 mm) model
  - 36" ( 914 mm) model     41" (1041 mm) model
  - 52" (1321 mm) model     60" (1524 mm) model
- 60 Watt Halogen Bulb in lieu of Standard Display Light (not available for export voltages)
- Flip-up Door Locking Plate
- Display Sign Holder (signs not included) Color Matches Unit Color
  - Top or Intermediate Shelf
  - 24" ( 609 mm) model     30" ( 762 mm) model
  - 36" ( 914 mm) model     41" (1041 mm) model
  - 52" (1321 mm) model     60" (1524 mm) model

## Accessories

- 4" (102 mm) Adjustable Legs
- LED Bulbs
  - Incandescent     Halogen     Fluorescent
- Plexi-Glass Flip-Up doors on one side - Not compatible with optional sneeze guards in same opening (one side only)
  - 24" ( 609 mm) model     36" ( 914 mm) model
- Additional Stainless Steel Divider Rods

**For operation, location and safety information, please refer to the Installation & Operating Manual.**



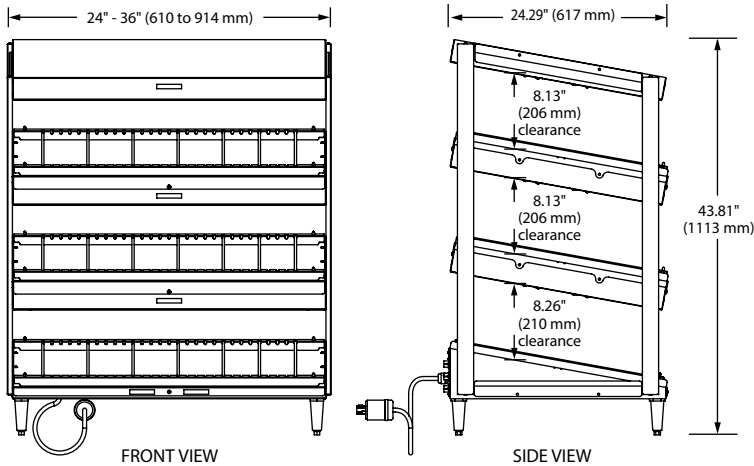
**HATCO CORPORATION** | P.O. Box 340500 Milwaukee, WI 53234-0500 U.S.A.  
 (800) 558-0607 | (414) 671-6350 | www.hatcocorp.com | support@hatcocorp.com



# Glo-Ray® Slant Merchandising Display Warmers

Models: GRSDS-24T, -36T

## SLANT TRIPLE SHELF



## SPECIFICATIONS

### Triple Shelf — Slant Merchandising Display Warmers

Model	No. of Bulbs, Divider Rods	Dimensions (W x D x H) Height includes 4" (102 mm) legs	Usable Heated Shelf Space (W x D)	Average Chute Width	Volts	Watts	Amps	Plug	Ship Weight*
GRSDS-24T <sup>§</sup>	6, 15	24" x 24.29" x 43.81" (610 x 617 x 1113 mm)	22.59" x 21" (573 x 533 mm)	3.75" (95 mm)	120	2015	16.8	NEMA 5-20P	164 lbs. (74 kg)
GRSDS-36T	6, 21	36" x 24.29" x 43.81" (914 x 617 x 1113 mm)	34.59" x 21" (878 x 533 mm)	4.5" (114 mm)	120/208-240	2685	14.6	NEMA L14-20P	219 lbs. (99 kg)

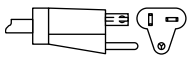
\* Shipping weight includes packaging.  
<sup>§</sup> Not available for Canada.

## CORD LOCATION

Control side at right base corner.

## PLUG CONFIGURATIONS

### NEMA 5-20P



### NEMA L-14-20P



## PRODUCT SPECS

### Glo-Ray® Slant Merchandising Warmers

The Merchandising Warmer shall be a Glo-Ray® Model ... as manufactured by the Hatco Corporation, Milwaukee, WI 53234 U.S.A.

The warmer shall be rated at ... watts, ... volts, and be ... inches (millimeters) in overall width. It shall consist of a thermostatically-controlled, hardcoated heated base, infrared heat from above, full view tempered glass sides, adjustable divider rods, and incandescent display lights. The infrared heating element shall be tubular metal

sheathed and the warmer shall have a cord with plug attached.

Accessories shall include LED bulbs, flip-up doors, 4" (102 mm) legs and additional stainless steel dividers rods.

Warranty consists of 24/7 parts and service assistance (US and Canada only).

**HATCO CORPORATION** | P.O. Box 340500 Milwaukee, WI 53234-0500 U.S.A.  
 (800) 558-0607 | (414) 671-6350 | [www.hatcocorp.com](http://www.hatcocorp.com) | [support@hatcocorp.com](mailto:support@hatcocorp.com)