



Your Solutions Partner

Specifications

F.O.B. Sedalia, Missouri 65301



390-25
(Shown with optional tray slide)

OPTIONS:

- Trayslides
- Kick plates
- 5" casters, 2 swivel w/locks
- Cutouts in top
- Drop brackets on tray slide
- Sliding doors
- Door locks
- Shorten drip trough
- Veneered plastic laminate panels on body
- Special powder coat painted body
- Duplex outlet
- 6' cord and plug
- Body latches
- Carving/tray shelves boards
- Stainless steel dish shelf
- Tier of stainless steel angle sides
- Open base - omit undershelves
- Special lengths

DUKE MANUFACTURING CO.

2305 N. Broadway
St. Louis, MO 63102
800.735.3853 Toll Free
314.231.5074 Fax
www.dukemfg.com

SS-1120 AeroServ Urn Stand

Approval Stamp(s):

PRODUCT INFORMATION:

PROJECT: _____

ITEM: _____

QUANTITY: _____

MODEL:

AeroServ Serving Systems

Urn Stand Units

389-25 32" length unit

390-25 46" length unit

TOP:

- 20 gauge, 300 Series stainless steel\
- Stainless steel drip trough on operator or customer side
- 1" cast brass drain and plug
- Removable stainless steel grid

BODY:

- Paint grip or stainless steel
- Choice of (12) powder coat paint colors
- Flanged or channeled edges
- Open at operator's side
- Mounted on 6" stainless steel legs with adjustable feet

AGENCY LISTINGS:



Specification subject to change



REV B 10/18/2019

AeroServ

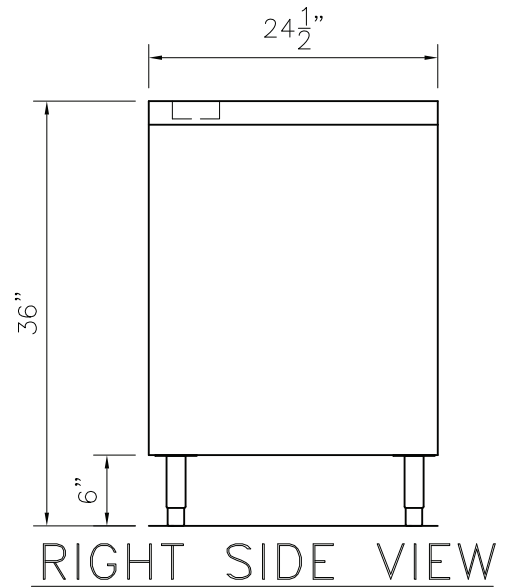
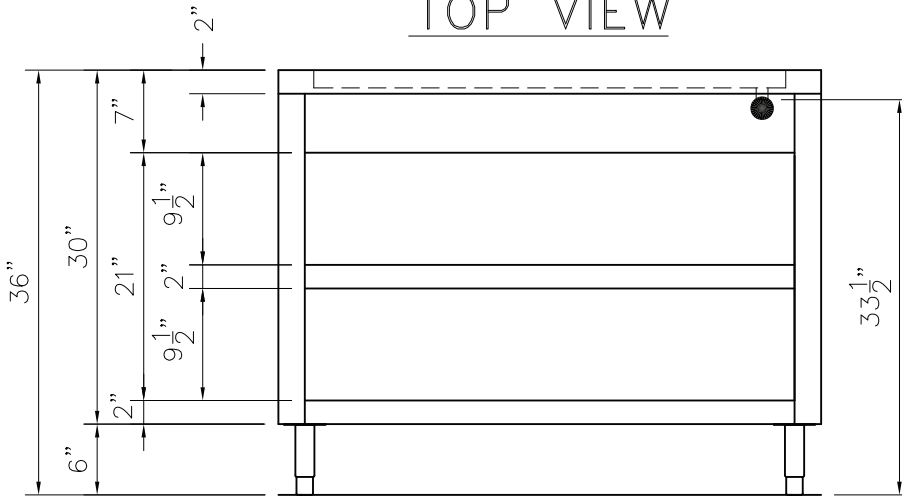
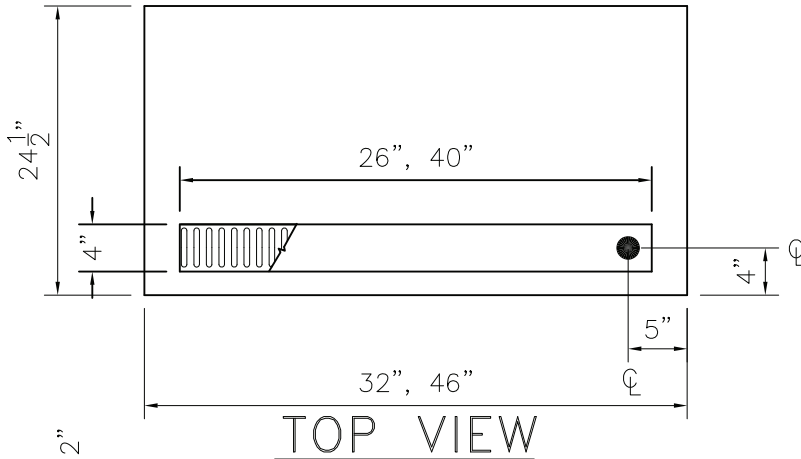
URN Stand

A.I.A. File No. 35-C-13

Catalog No. ASC-URN

AEROSERV - SERVING SYSTEMS - URN STAND UNITS

LEGEND	
●	DRAIN LOCATION



Dimensions:

Freight Class: 150

Model	Length		Width		Height		Cube ft. crated	Weight	
	in	cm	in	cm	in.	cm		lbs	kg
389-25	32	81.3	24-1/2	62.2	36	91.4	27.6	217	98.6
390-25	46	116.8	24-1/2	62.2	36	91.4	37.7	274	124.6



Duke Manufacturing Co.
2305 N. Broadway
St. Louis, MO 63102

Phone: 314-231-1130
Toll Free: 1-800-735-3853
Fax: 314-231-5074

www.dukemfg.com