



KMD-530M_H

MODULAR CRESCENT CUBER



KMD-530M_H
01/21/18
Item # 13350

Item #: _____
Project: _____
Qty: _____
AIA#: _____

W x D x H
30" x 24^{1/4}" x 22^{1/8}"

Shipping Dimensions
33^{1/4}" x 33^{1/2}" x 28"

KM Edge
DESIGN

KMD-530MAH
Air-Cooled
Shown on optional
Lancer 30" Dispenser

KMD-530MWH
Water-Cooled

KMD-530MRH
Remote Air-Cooled



Features

- ▶ Individual crescent cube
- ▶ Stainless steel evaporator
- ▶ CycleSaver™ design

- Up to 560 lbs. of ice production per 24 hours
- Ice on beverage design
- Durable stainless steel exterior
- Protected by H-Guard Plus Antimicrobial Agent
- EverCheck™ alert system
- Removable air filters (Air-cooled model only)
- Front air inlet panels available for side-by-side application (used with HS-5065)
- R-404A Refrigerant

Available on Bins:

B-250PF BD-500PF/SF B-800PF/SF B-1150SS
B-500PF/SF B-700PF/SF B-900PF/SF B-1300SS

Top kit may be required. See Bin Spec Sheets.

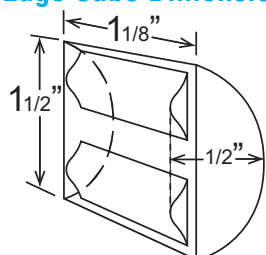
Warranty:

3 Year Parts & Labor on entire machine. 5 Year Parts & Labor on Evaporator. 5 Year Parts on Compressor; air-cooled condenser coil. Valid in United States, Canada, Puerto Rico and U.S. Territories. Contact factory for warranty in other countries.



Condenser	Model	ICE PRODUCTION		WATER USAGE		ELECTRICAL							
		Air / Water Temp Lbs. per 24 hours 70°/50°F 90°/70°F		Potable Gal. per 100 lbs. 90°/70°F	Condenser Gal. per 100 lbs. 90°/70°F	kWh Used per 100 lbs. 90°/70°F	Max. Fuse Sz or HACR Circuit Bkr	Amperage	Voltage	Circuit Wires (including ground)	Heat Rejection BTU/hr.	Refrigerant Charge Amount	Net / Ship Weight (lbs.)
Air	KMD-530MAH	553	462	17.1	N/A	5.7	20A	12A	115V/60/1	3	6,800	1 lb. 2.5 oz.	130 / 170
Water	KMD-530MWH	540	520	20.9	102	4.4	20A	10.5A	115V/60/1	3	7,080	14.1 oz.	130 / 170
Remote	KMD-530MRH	560	488	16.5	N/A	5.8	20A	12A	115V/60/1	3	7,800	3 lb. 13.7 oz. (with condenser)	130 / 170

KM Edge Cube Dimensions*



* approximate size in inches, image not to scale

Operating Limits

- Ambient Temp Range 45 - 100°F
- Water Temp Range 45 - 90°F
- Water Pressure 10 - 113 PSIG
- Voltage Range 104 - 127V

Service

- Panels easily removed and all components accessible for service.
- Allow 6" (15 cm) clearance at rear, left side, and top and 12" (30 cm) clearance at right side for air-cooled model. Allow 6" (15 cm) clearance at rear, sides, and top for water-cooled and remote models.

Plumbing

- Icemaker Water Supply Line: Min. 1/4" Nominal ID Copper Water Tubing or Equivalent
- Icemaker Drain Line: Min. 3/4" Nominal ID Hard Pipe or Equivalent
- Water-Cooled Model (Lines Must Be Independent of Icemaker)
- Condenser Water Supply Line: Minimum 1/4" Nominal ID Copper Water Tubing or Equivalent
- Condenser Drain/Return Line: Minimum 1/4" Nominal ID Hard Pipe (open drain system) or Copper Water Tubing (closed loop system) or Equivalent

Water Filter

Please refer to water filter specification sheet for recommendations.

Hoshizaki reserves the right to change specifications without notice.



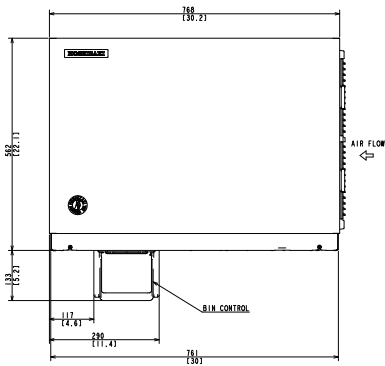
KMD-530M_H

MODULAR CRESCENT CUBER

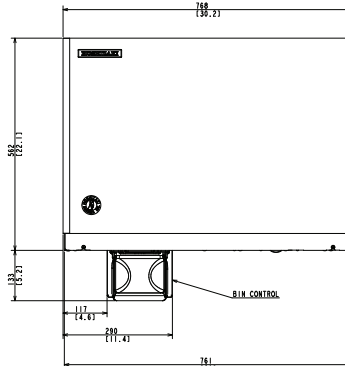


KMD-530M_H
01/21/18
Item # 13350

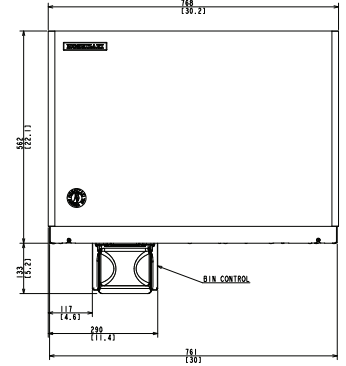
FRONT VIEW



AIR-COOLED

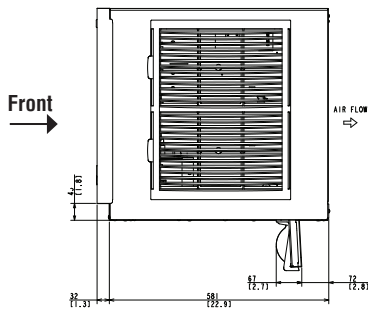


WATER-COOLED

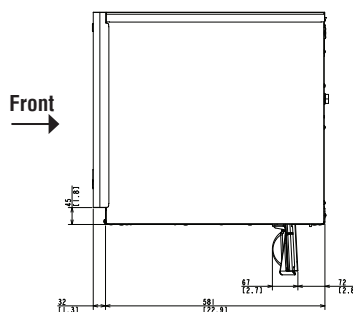


REMOTE AIR-COOLED

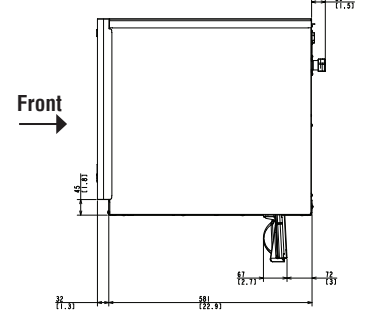
SIDE VIEW



AIR-COOLED

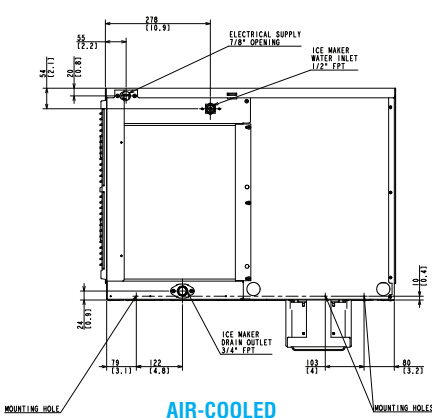


WATER-COOLED

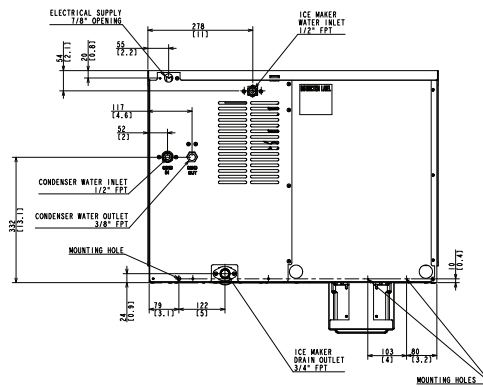


REMOTE AIR-COOLED

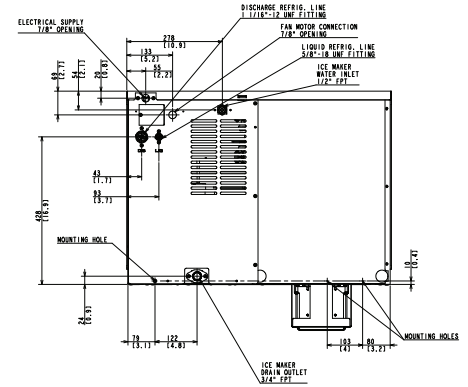
REAR VIEW



AIR-COOLED

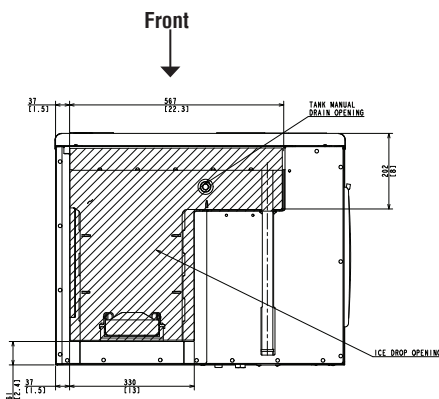


WATER-COOLED



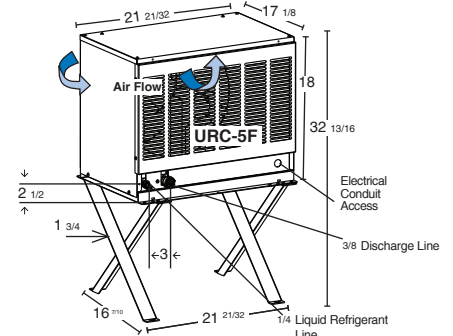
REMOTE AIR-COOLED

BOTTOM VIEW



AIR-COOLED Model Shown
Bottom dimensions are common for all KMD-530 Models

URC-5F Remote Condenser (Sold Separately)
For Use with KMD-530MRH



Voltage supply for the URC Remote Condenser is supplied from the Ice Maker. No additional circuit is required.

Pre-Charged Tubing Kits

(Sold Separately)
20' R404-2046-2
35' R404-3546-2

