

Arctic Series Bubblers

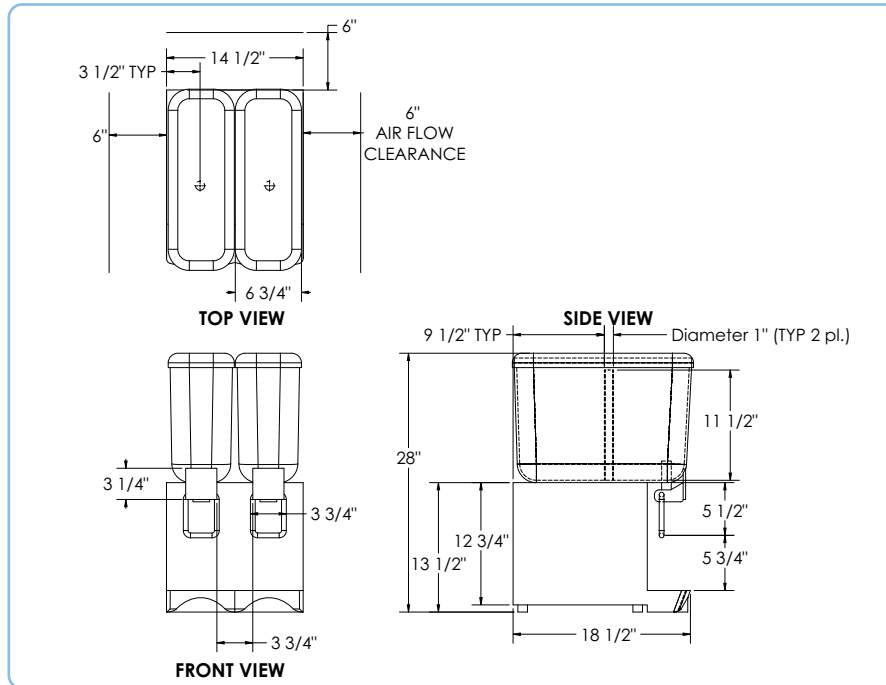


Model 20/2PD

Features

- Multi-functional Dispenser – Functions as a bubbler styler dispenser with vertical spray circulation with magnetic driven agitators, but can also perform gentle and fast agitation for specialty products such as iced tea, or orange juice.
- A Visual Merchandiser – Allows your customers to choose their favorite chilled beverage.
- Increased Product Capacity– Product capacity up to 5.4 gallon refrigerated bowls.
- Stainless Steel Dispensing Valves– The stainless steel dispense valves are clean and drip free. Allows product to be dispensed quickly and efficiently.
- Space Saving Footprints– The Arctic dispensers require as little as 7.25” of counter space. This space saving feature allows the dispensers to fit into almost any space restricted countertop.
- Virtually Unbreakable Clear Bowls– Constructed of durable, high tech plastic, the bowl resists scratching and staining.
- Access to Inside of the Dispenser– Easy access through all sides of dispenser (deluxe models).

20/2PD Arctic Series Bubblers



Specifications

Model	# of Bowls	Bowl Capacity	Dimensions (H x W x D)	Electrical	Ship Weight
20/1PD 20/1PE	1	5.3 gal. (20L)	28" x 7" x 18.1" (71 cm x 18 cm x 46 cm)	120V / 0.6KW / 5A	55 lbs. (25 kg)
20/2PD 20/2PE	2	5.3 gal. (20L)	28" x 14.5" x 18.1" (71 cm x 37 cm x 46 cm)	120V / 0.6KW / 5A	80 lbs. (36 kg)
20/3PD 20/3PE	3	5.3 gal. (20L)	28" x 21.25" x 18.1" (71 cm x 54 cm x 46 cm)	120V / 1.4KW / 12A	102 lbs. (46 kg)
20/4PD 20/4PE	4	5.3 gal. (20L)	28" x 28.5" x 18.1" (67 cm x 72 cm x 47 cm)	120V / 2KW / 16A	130 lbs. (59 kg)
8/1	1	2.1 gal. (8L)	24.75" x 7.5" x 15.75" (63 cm x 18 cm x 40 cm)	120V / 0.6KW / 5A	33 lbs. (15 kg)
8/2	2	2.1 gal. (8L)	24.75" x 10" x 15.75" (63 cm x 25 cm x 40 cm)	120V / 0.6KW / 5A	42 lbs. (19 kg)
8/3	3	2.1 gal. (8L)	24.75" x 14.6" x 15.75" (63 cm x 37 cm x 40 cm)	120V / 1.4KW / 12A	51 lbs. (24 kg)
8/4	4	2.1 gal. (8L)	24.75" x 19.7" x 15.75" (63 cm x 50 cm x 40 cm)	120V / 2KW / 16A	58 lbs. (30 kg)

Electrical: Line cord included. **Body Construction:** Stainless Steel. **Optional Bowl Size:** 3.17 gal. bowl(s) also available for all models above except 8/1, 8/2, 8/3 & 8/4; contact GMCW™ for more details. Specifications subject to improvement or change without notice.



GMCW™ 4003 Collins Lane, Louisville, KY 40245 USA

Tel: +1.502.425.4776 / 800.695.4500 (USA & Canada only) • Fax: +1.502.425.4664 • www.gmcw.com • Email: info@gmcw.com