

Toastmaster® Heater/Proofers

Un-insulated Models E9451-HP12CDN E9451-HP34CDN

Insulated Models 9451-HP12CDN 9451-HP34CDN



FEATURES

- Durable aluminum construction with lift-off polycarbonate door, full length door handle and magnetic door gaskets
- Air baffle and circulation air blower provide even heat distribution
- Up to (11) 18" x 26" sheet pans (half-sized unit) or (34) 18" x 26" sheet pans (full-sized unit) on 1.5" centers
- 5" swivel casters with brakes for easy mobility
- Available in insulated or uninsulated models, includes 1/2 gallon water pan for proofing
- 1500 watt heater element with 120V power supply and 6-ft detachable cord

MODEL	DESCRIPTION	SHEET PANS	PAN SPACING
9451-HP12CDN	Insulated, Half Size	11 - 18"x 26" 22 - 13"x 18"	1.5"
9451-HP34CDN	Insulated, Full Size	34 - 18"x 26" 68 - 13"x 18"	1.5"
E9451-HP12CDN	Un-Insulated, Half Size	11 - 18"x 26" 22 - 13"x 18"	1.5"
E9451-HP34CDN	Un-insulated, Full Size	34 - 18"x 26" 68 - 13"x 18"	1.5"

DESCRIPTION

The proofing process is an integral step in the baking process, and the Toastmaster line of proofers can provide your dough product the ideal environment for proofing. All Toastmaster proofers have separate heat and humidity controls so that the environment can be varied to the precise levels of heat and humidity in order to accommodate each individual product.

SPECIFICATIONS

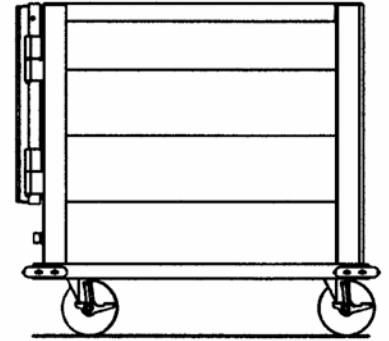
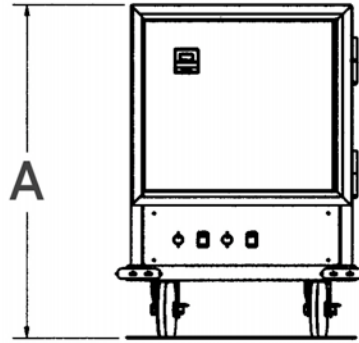
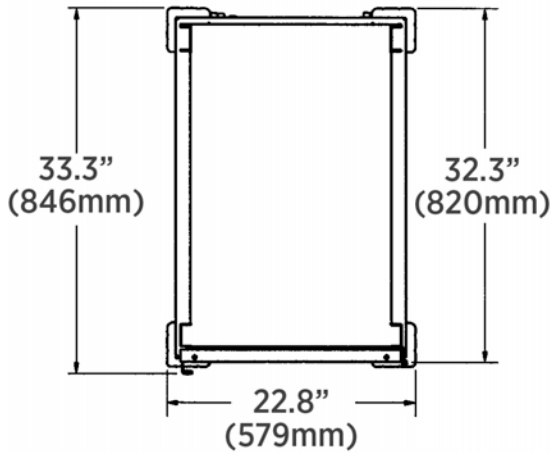
Toastmaster Proofers have a stainless steel exterior and tempered glass doors for full view of your product. A manual fill water pan located at the bottom of the unit provides the humidity, while the fan provides uniform distribution of heat and humidity. NEMA 5-20P 6-foot detachable cord & plug are standard. Removable console consisting of blower, three-way toggle switch, running lights to indicate heater (holding) or proofing mode, stainless steel water reservoir. Element controlled by 180 degrees thermostat. 1500 Watts in heating mode. 1500 Watts in proofing mode.

WARRANTY

These units come with a one [1] year warranty for parts and labor.

CERTIFICATIONS





CLEARANCES

Allow four inches on each side and back for ventilation of unit.

MODEL	DESCRIPTION	DOOR SWING	EXTERIOR DIMENSIONS			INTERIOR DIMENSIONS		
			WIDTH in. (mm)	DEPTH in. (mm)	HEIGHT [A] in. (mm)	WIDTH in. (mm)	DEPTH in. (mm)	HEIGHT in. (mm)
9451-HP12CDN E9451-HP12CDN	Insulated, Half Size Un-Insulated, Half Size	Door swings 270 degrees to the recessed side of the cabinet	22.8 (579)	33.3 (846)	30.3 (770)	18.1 (460)	27.5 (699)	15.6 (396)
9451-HP34CDN E9451-HP34CDN	Insulated, Full Size Un-Insulated, Full Size	Door swings 270 degrees to the recessed side of the cabinet	22.8 (927)	33.3 (846)	66.4 (1,687)	18.1 (460)	27.5 (699)	51.75 (1,314)

MODEL	VOLTS ¹	AMPS	WATTS	NEMA PLUG	APPROX. SHIP WEIGHT
9451-HP12CDN E9451-HP12CDN	120V	14	1,500	5-20P	100 lb. (45 kg)
9451-HP34CDN E9451-HP34CDN	120V	14	1,500	5-20P	140 lb. (64 kg)

¹NEMA 5-20P 6-foot detachable cord & plug are standard



Due to periodic changes in designs, methods, procedures, policies and regulations, the specifications contained in this sheet are subject to change without notice. While Star Manufacturing exercises good faith efforts to provide information that is accurate, we are not responsible for errors or omissions in information provided or conclusions reached as a result of using the specifications. By using the information provided, the user assumes all risks in connection with such use.