

GET SLIM AND SERVE BETTER.

SLIMLINE™ DRY FOOD & CANDY DISPENSERS

Combine to serve any number of dry foods and candies – each clear-view merchandiser needs just under 3 ³/₁₆ linear inches

Lift-off lid makes refilling easy

Precise portions deliver consistent flavor and nutritional transparency — color-coded trays identify serving size, 2 L capacity

- (135) ½ oz servings White
- (90) ¾ oz servings Blue
- (67) 1 oz servings Green
- (45) 1½ oz servings Pink



NEW countertop stations fit up to (3) toppings in 10 inches; available in single, double and triple models



SLIMLINE™ DISPENSERS
Model DFD

Food Applications

- Serve consistent portions of dry ingredients for menu transparency
- Self-serve dessert or yogurt toppings like nuts, cookie crumbs, coated candies, crisped rice and granola
- Not recommended for powders or sticky products, such as crushed candy bars

Fast Facts

Our SlimLine™ portion-controlled dispensers combine to serve any number of candies and dry foods in a minimal amount of wall or counter space; needs just 3 ³/₁₆ inches.

Color-coded trays dispense ½, ¾, 1 and 1 ½ oz servings from a 2 L container.



1.800.558.8722
SlimLine-Dry-Dispensers.com

SLIMLINE™ DRY FOOD & CANDY DISPENSERS Model DFD

PRECISELY PORTION PATRON-PLEASING TOPPINGS

SLIMLINE™ DISPENSERS

Model DFD

Specifier Statement

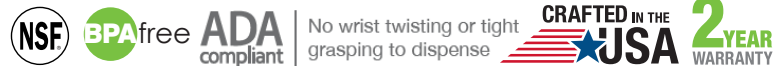
Server Products Model DFD SlimLine™ dry food dispenser accurately portions free-flowing dry foods like candies, toppings and mix-ins. Units include 1, 2, 3 or 4 copolyester containers, lift-off lid, (4) sets of color-coded portion trays and a corresponding 18 gauge stainless steel mounting bracket. Portion sizes include: 1/2 oz (white), 3/4 oz (blue), 1 oz (green) or 1 1/2 oz (pink). NSF listed. BPA free. ADA Compliant. Two-year warranty. Ships FOB Richfield, WI 53076.

Product Codes

<input type="checkbox"/> Wall-mount, single	DFD 88750
<input type="checkbox"/> Wall-mount, double	DFD 88760
<input type="checkbox"/> Wall-mount, triple	DFD 88770
<input type="checkbox"/> Wall-mount, quad	DFD 88780
<input type="checkbox"/> Countertop, single	DFD 88720
<input type="checkbox"/> Countertop, double	DFD 88730
<input type="checkbox"/> Countertop, triple	DFD 88740

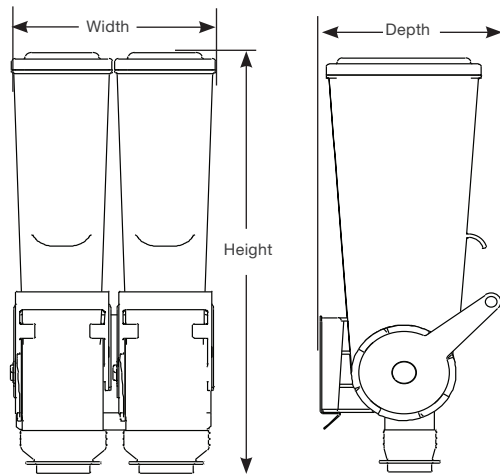
Specifications

Part Number	Capacity	Dimensions (height x width x depth)	Weight
88750	(1) 2 L Wall-mount	17 9/16" x 3 3/16" x 6 15/16" 44.6 x 8.1 x 17.6 cm	4 lb 1.8 kg
88760	(2) 2 L Wall-mount	17 9/16" x 6 7/16" x 6 15/16" 44.6 x 16.4 x 17.6 cm	7 lb 3.2 kg
88770	(3) 2 L Wall-mount	17 9/16" x 9 11/16" x 6 15/16" 44.6 x 24.6 x 17.6 cm	10 lb 4.5 kg
88780	(4) 2 L Wall-mount	17 9/16" x 12 15/16" x 6 15/16" 44.6 x 32.9 x 17.6 cm	13 lb 5.9 kg
88720	(1) 2 L Countertop	26 1/2" x 6 3/4" x 12 1/16" 67.3 x 17.1 x 30.6 cm	12 lb 5.4 kg
88730	(2) 2 L Countertop	26 1/2" x 6 3/4" x 12 1/16" 67.3 x 17.1 x 30.6 cm	16 lb 7.3 kg
88740	(3) 2 L Countertop	26 1/2" x 10" x 12 1/16" 67.3 x 25.4 x 30.6 cm	22 lb 9.9 kg



Related Items

Already have a wall-mount SlimLine™ station? Convert to a countertop station with a single, double or triple stand (SlimLine™ not included).



Server Products, Inc. | 800.558.8722 | Intl: 262.628.5600
3601 Pleasant Hill Road | Richfield WI 53076
spsales@server-products.com | server-products.com

Registered trademarks of Equal®, Splenda® & Sweet 'N Low® are property of their respective owners.
Server Products, Inc. reserves the right to modify specifications without obligation.
Printed in USA | © Server Products, Inc 08.2017 | S 02126