

SMARTER PORTIONS. SO SIMPLE.

INSEASON™ DISPENSER

Constructed of high temp material which is designed for high-heat areas such as fry or grill stations



Easy refills with wide-open top, holds 10 oz

Quickly identify serving size with (3) color-coded portion triggers



Refill Indicator Line

Compress trigger to apply precise ingredient portion, consistent flavor & nutritional accuracy



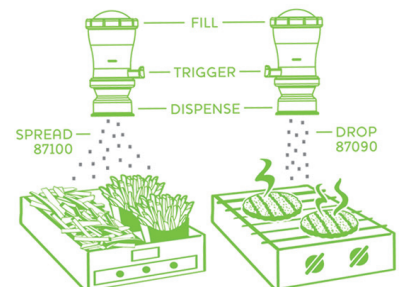
INSEASON™ DISPENSER
Model INS

Food Applications

- apply sprinkles to a dessert beverage, cupcake or donut
- salting a fry dump
- season a hamburger or deli sandwich

Fast Facts

The InSeason™ dispenses exact portions of granular seasonings for consistent flavor and accurate nutritional. Handheld, lightweight and designed for use near fry or grill stations. Includes (3) color-coded portion triggers to identify serving size. Holds 10 oz. Available for “spread” or “drop” patterns.



INSEASON™ SALT & SEASONING DISPENSER Model INS



1.800.558.8722 or
inseason-server.com



SERVE BETTER WITH CONSISTENT DRY FOOD DISPENSING

INSEASON™ DISPENSER

Model INS

Specifier Statement

Unit will be a Server Products Model INS InSeason™ dispenser with a Spread or Drop dispense pattern. Constructed of high-temp Polysulfone and holds 10 oz of granular seasoning by volume. Includes (3) color-coded, Acetal portion triggers. Refill indicator line is visual cue for minimum fill level, with wide open top for refilling. NSF listed. Two-year warranty. Ships FOB Richfield, WI 53076.

InSeason™ Product Codes

- Spread Pattern, (3) Triggers INS 87100
- Drop Pattern, (3) Triggers INS 87090

Specifications

Part Number	Dispense Pattern	Trigger Portion	Trigger(s) Included
87100	Spread (fry dump or platter)	¼ tsp/1.2 mL	Black
		⅓ tsp/1.6 mL	Blue
		½ tsp/2.5 mL	Green
87090	Drop (patty or single serving)	⅓ tsp/1.2 mL	Tan
		⅛ tsp/6 mL	Burgundy
		¼ tsp/1.2 mL	Black



Capacity: 10 oz / 296 ML

Weight: 1 lb / .5 kg



Accessories

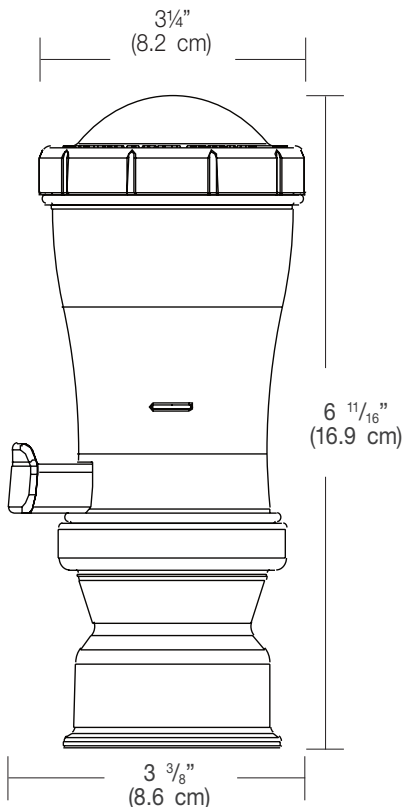
Wall-mounted shelf neatly holds dispensers when not in use. INS dispensers sold separately.

- Triple Wall-Mount Shelf 80085
- Quad Wall-Mount Shelf 87135
(pictured right with dispensers)



Related Items

The Beverage Station is ideal for dispensing chilled dairy and granular sweeteners into cups of coffee. Stations come complete with an EZ-Cream™ Dairy Dispenser, a SweetStation™ rack with flavor decals and (3) InSweeten™ dispensers all combined on a durable stainless steel stand. If a larger portion is needed, InSweeten™ dispensers can offer an increased amount, up to 1tsp/4g. For more information on this, please contact Server customer service at 800-558-8722.



Server Products, Inc. | PO Box 98 | Richfield WI 53076
800.558.8722 | Int'l: 262.628.5600 | F: 262.628.5110
server-products.com

Registered trademarks of Equal®, Splenda® & Sweet 'N Low® are property of their respective owners. Server Products, Inc. reserves the right to modify specifications without obligation. Printed in USA | © Server Products, Inc 11.2014 | S 02094