



a Standex company

ITEM: _____ PROJECT NAME: _____ DATE: _____

VERSATILE SERVICE TOP OVER REFRIGERATED SELF-SERVE COUNTER CASE



***Optional Squared Ends
Available for
Under Counter Installation**

- MODEL** SSRVS-3633
 SSRVS-5033
 SSRVS-5933
 SSRVS-7733



Designed for those customers looking for up-market styling for maximum visual appeal that will drive product sales. Cases are available in lengths of 36", 50", 59", and 77".

Height 32 5/8" for service counter installation.

STANDARD FEATURES

- Steel base construction with black laminated exterior. Other finishes optional.
- Black interior, glass panels.
- Stainless steel top service area.
- Horizontal shielded top LED light.
- Thermometer.
- On-demand PTC condensate evaporator provided for a totally self-contained system.
- Easy clean, rustproof insulated evaporator coil compartment.
- Rear condensing unit air intake & discharge.
- Easily accessible light and power switch. Electronic temperature control maintains 38° to 40°.
- Black Step Riser.
- Rear access to the refrigeration system for quick and easy service.
- R404 Refrigerant.
- Adjustable leg levelers.
- UL Safety and UL Sanitation Listed.
- DOE 2017 Compliant.

VERSATILE SERVICE TOP OVER REFRIGERATED SELF-SERVE COUNTER CASE

OPTIONAL ACCESSORIES:

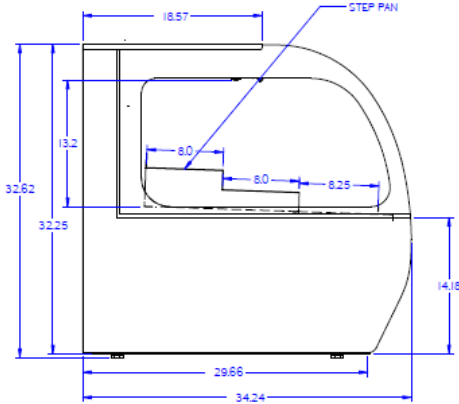
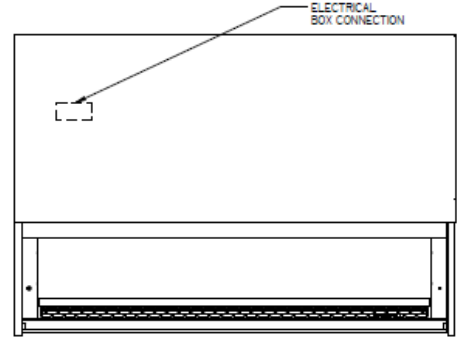
For Self-Serve Refrigerated Base

- Special Exterior Finish
- Glass Shelf
- White or Stainless Interior (Including Shelves)
- Energy Saving Night Curtain
- Reflective End Glass
- Security Night Cover
- Front Condensing Unit Air Intake & Discharge.
- Remote Refrigeration
- Condensate Pump
- Recessed Casters
- Front Non-Refrigerated Display Merchandiser
- Solid End Panels with Mirrored Interior
- Cord & Plug
- Legs
- Squared Ends

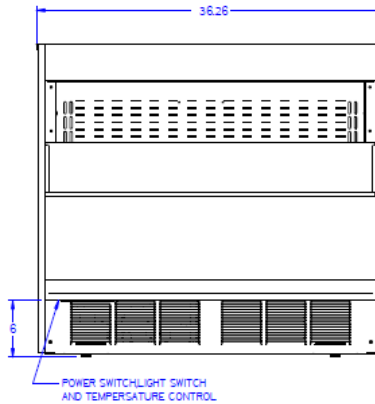
Required Options For Under Counter Use:

- Recessed Casters
- Solid End Panels with Mirrored Interior
- Cord & Plug
- Squared Ends

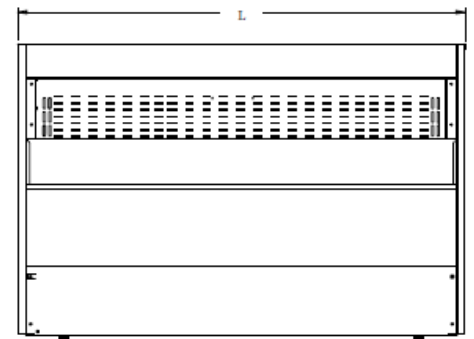
Top View



Side View



Back View



Front View

SPECIFICATIONS:

Model	Dimensions L W H	Shipping Weight (lbs)	*Self-Contained	*Remote 120/60/1	NEMA Config.
<input type="checkbox"/> SSRVS-3633	36" x 34" x 32 5/8"	450	120/60/1 • 1/3 HP • 14.3 AMPS	8.5 AMPS	5-20P
<input type="checkbox"/> SSRVS-5033	50" x 34" x 32 5/8"	620	120/60/1 • 1/3 HP • 14.3 AMPS	8.5 AMPS	5-20P
<input type="checkbox"/> SSRVS-5933	59" x 34" x 32 5/8"	750	208-230/60/1 • 3/4 HP • 14.5 AMPS	13 AMPS	6-20P
<input type="checkbox"/> SSRVS-7733	77" x 34" x 32 5/8"	980	208-230/60/1 • 3/4 HP • 14.5 AMPS	13.5 AMPS	6-20P

- Refrigerated cases are designed to operate in a maximum environment of 75°F ambient and 55% relative humidity.
- Due to continuing engineering improvements, specifications are subject to change without notice.



The Signature of Quality

FEDERAL INDUSTRIES
A Standex Company

215 FEDERAL AVENUE, BELLEVILLE, WISCONSIN 53508-9201
PHONE: 800-356-4206 **FAX: 608-424-3234**
EMAIL: geninfo@federalind.com **WEBSITE: www.federalind.com**

