



a Standex company

ITEM: \_\_\_\_\_ PROJECT NAME: \_\_\_\_\_ DATE: \_\_\_\_\_

## CONVERTIBLE SERVICE OVER REFRIGERATED SELF-SERVE SPECIALTY MERCHANDISER

- MODEL  SSRC2452  
 SSRC3652  
 SSRC5052  
 SSRC5952  
 SSRC7752



*Display a variety of products and serve more customers with presentation and value in mind. Cases are available in lengths of 24" 36", 50", 59", and 77".*

### STANDARD FEATURES

#### Refrigerated Self-Serve Bottom Display

- Steel base construction with black exterior. Other finishes optional.
- Black interior, glass end panels.
- Horizontal shielded top light.
- Two-tier black display step.
- Thermometer.
- Condensate evaporator provided for a totally self-contained system.
- Easy clean, rustproof insulated evaporator coil compartment.
- Easily accessible light switch and adjustable power switch located at case rear.
- Average case temperature of 38° to 40°F is maintained.

- Rear access to the refrigeration system for quick and easy service.

- R404a Refrigerant.
- Adjustable leg levelers.

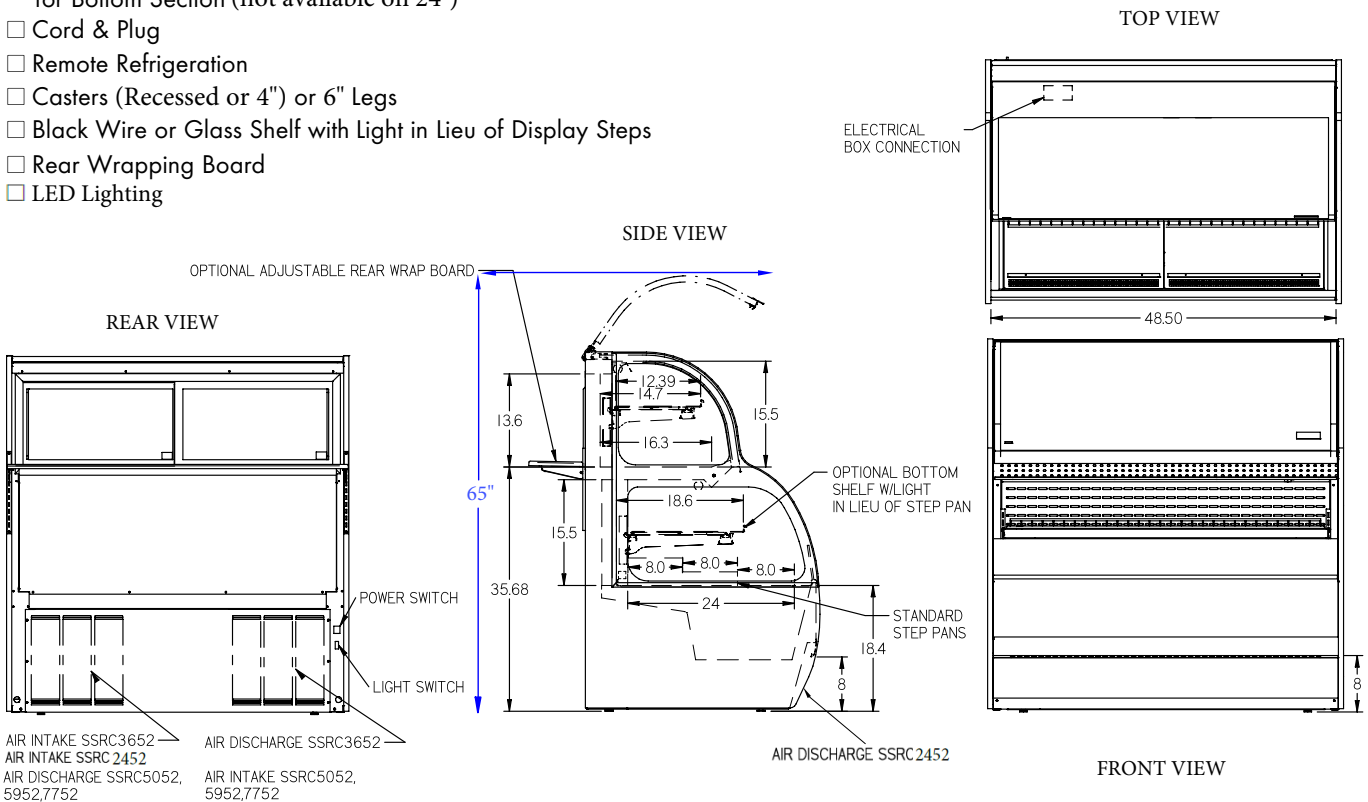
#### Service Top Display

- Divided merchandise area. (24" and 36" models have one display area only.)
- Baffle system converts display from non-refrigerated to refrigerated.
- Clear glass rear sliding doors (24" model has hinged door).
- Tempered lift-up thermopane front glass.
- Adjustable black wire shelf.
- Shielded top and shelf light.
- Thermometer.

# CONVERTIBLE SERVICE OVER REFRIGERATED SELF-SERVE MERCHANDISER

## OPTIONAL ACCESSORIES:

- |  |  |
|--|--|
| <ul style="list-style-type: none"> <li><input type="checkbox"/> Reflective End Glass</li> <li><b>For Self-Serve Refrigerated Base</b></li> <li><input type="checkbox"/> Special Finish</li> <li><input type="checkbox"/> Energy Saving Night Curtain</li> <li><input type="checkbox"/> Security Night Cover</li> <li><input type="checkbox"/> Solid Rear Sliding Access Doors for Bottom Section (not available on 24")</li> <li><input type="checkbox"/> Cord &amp; Plug</li> <li><input type="checkbox"/> Remote Refrigeration</li> <li><input type="checkbox"/> Casters (Recessed or 4") or 6" Legs</li> <li><input type="checkbox"/> Black Wire or Glass Shelf with Light in Lieu of Display Steps</li> <li><input type="checkbox"/> Rear Wrapping Board</li> <li><input type="checkbox"/> LED Lighting</li> </ul> | <b>For Service Top Display</b> <ul style="list-style-type: none"> <li><input type="checkbox"/> Reflective Rear Doors</li> <li><input type="checkbox"/> Glass Shelves</li> <li><input type="checkbox"/> LED Lighting</li> </ul> |
|--|--|



## SPECIFICATIONS:

Model	Dimensions L W H	Shipping Weight (lbs)	Self-Contained with Condensate Pan	Remote 120/60/1	NEMA Config.
<input type="checkbox"/> SSRC2452	24" x 34" x 52"	470	120/60/1 • 1/3 HP • 11 AMPS	10 AMPS	5-20P
<input type="checkbox"/> SSRC3652	36" x 34" x 52"	590	120/60/1 • 1/3 HP • 15 AMPS	10 AMPS	5-20P
<input type="checkbox"/> SSRC5052	50" x 34" x 52"	720	208-240/60/1 • 1/2 HP • 10 AMPS	10 AMPS	6-15P
<input type="checkbox"/> SSRC5952	59" x 34" x 52"	780	208-240/60/1 • 1/2 HP • 12 AMPS	12 AMPS	6-20P
<input type="checkbox"/> SSRC7752	77" x 34" x 52"	950	208-240/60/1 • 3/4 HP • 13 AMPS	12 AMPS	6-20P

- If a GFCI circuit is required, a GFCI Breaker Must be used instead of GFCI receptacle.
- Refrigerated cases are designed to operate in a maximum environment of 80°F ambient and 55% relative humidity. (Type II)
- Due to continuing engineering improvements, specifications are subject to change without notice.



*The Signature of Quality*

**FEDERAL INDUSTRIES**  
 A Standex Company

215 FEDERAL AVENUE, BELLEVILLE, WISCONSIN 53508-9201  
**PHONE: 800-356-4206**      **FAX: 608-424-3234**  
**EMAIL: geninfo@federalind.com**      **WEBSITE: www.federalind.com**

