



a Standex company

ITEM: _____ PROJECT NAME: _____ DATE: _____

HIGH VOLUME DUAL ZONE CASE

MODEL **SGR5042DZ**
SGR5048DZ
SGR5942DZ
SGR5948DZ
SGR7742DZ
SGR7748DZ



*Display more product and serve more customers with presentation and value in mind.
Cases are available in lengths of 50", 59", and 77". Designed for continuous case line-ups.*

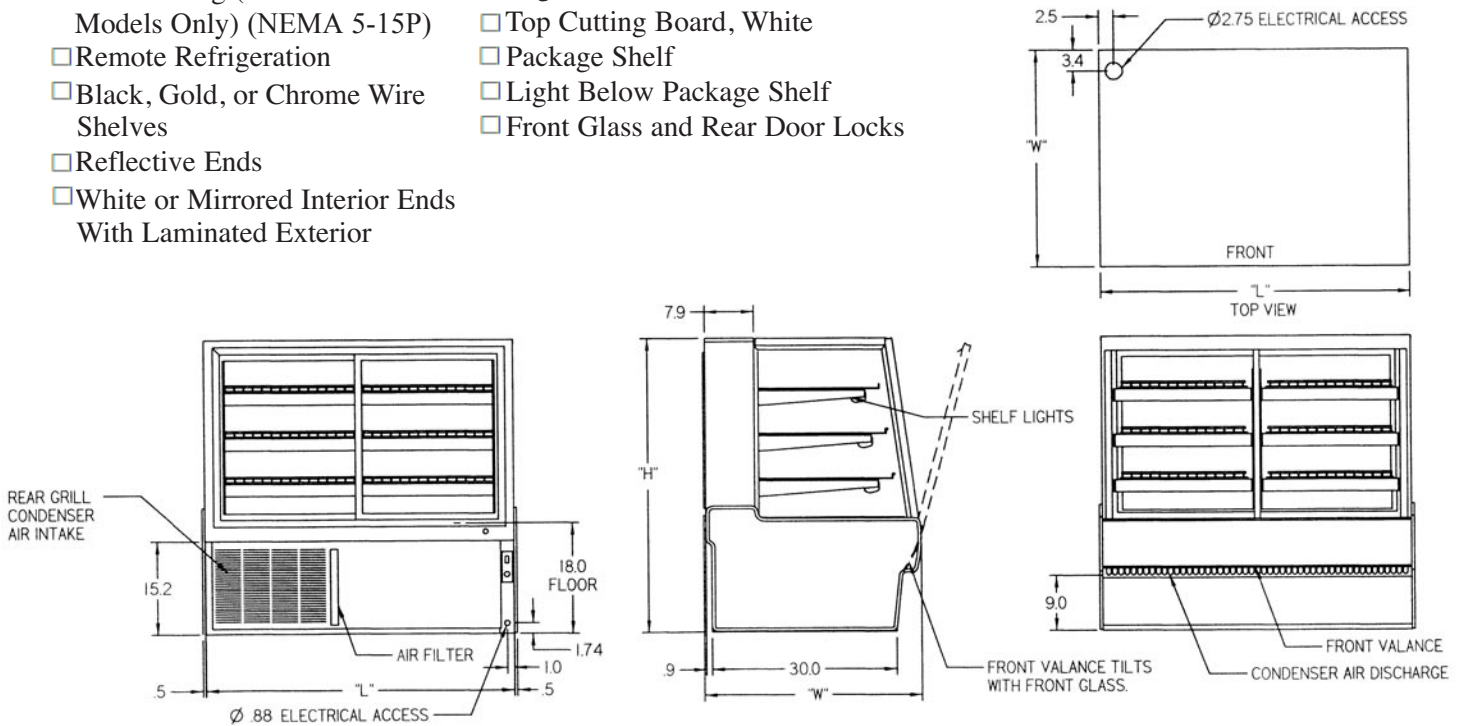
STANDARD FEATURES

- Single base design.
 - Left side refrigerated, right side non-refrigerated from customer view.
 - Adjustable white wire shelves. Shelves are adjustable up and down and can also be tilted in three positions. 48" models have three tiers of shelves; 42" models have two tiers of shelves.
 - Shielded top light and shelf lights.
 - Tempered thermopane tilt-out front glass for easy cleaning. Front glass is sloped for high visual product display.
 - Tempered thermopane glass top, ends, and doors.
 - Removable sliding rear doors, shelf lights, shelf supports, and shelves.
 - Steel base construction with a choice of six standard laminates on base. Other finishes optional.
 - Black trim.
 - White scratch-resistant display deck.
 - UL Safety and UL Sanitation Listed.
- Added Features for Refrigerated Side**
- Condenser air filter on self-contained units.
 - Thermometer.
 - Condensate evaporator provided for a totally self-contained system.
 - Oversized coil and low-velocity fan system maintains high humidity and product freshness.
 - Easy clean, rustproof insulated evaporator coil compartment.
 - Adjustable temperature control.
 - Average case temperature of 38° to 40° is maintained.
 - Rear access of the refrigeration system for quick and easy service.
 - 134A Refrigerant.

HIGH VOLUME DUAL ZONE CASE

OPTIONAL ACCESSORIES:

- Special Base Finish
- Glass Shelves
- Rear Wrapping Board
- Cord & Plug (Self-Contained Models Only) (NEMA 5-15P)
- Remote Refrigeration
- Black, Gold, or Chrome Wire Shelves
- Reflective Ends
- White or Mirrored Interior Ends With Laminated Exterior
- Reflective Rear Doors
- Casters/Cord & Plug Included (Self-Contained Models Only)
- Legs
- Top Cutting Board, White
- Package Shelf
- Light Below Package Shelf
- Front Glass and Rear Door Locks



SPECIFICATIONS:

Model	Dimensions			Shipping Weight (lbs)	Self-Contained 120/60/1	Remote 120/60/1
	L	W	H			
SGR5042DZ	50.3"	35.31"	42"	688	1/3 HP - 8.0 AMPS	2.5 AMPS
SGR5048DZ	50.3"	35.31"	48"	730	1/3 HP - 8.0 AMPS	2.5 AMPS
SGR5942DZ	59.13"	35.31"	42"	735	1/3 HP - 9.0 AMPS	3.0 AMPS
SGR5948DZ	59.13"	35.31"	48"	765	1/3 HP - 9.0 AMPS	3.0 AMPS
SGR7742DZ	77.13"	35.31"	42"	890	1/3 HP - 9.0 AMPS	3.0 AMPS
SGR7748DZ	77.13"	35.31"	48"	930	1/3 HP - 9.0 AMPS	3.0 AMPS

- If a GFCI circuit is required, a GFCI Breaker Must be used instead of GFCI receptacle.
- Refrigerated cases are designed to operate in a maximum environment of 75° ambient and 55% relative humidity.
- Due to continuing engineering improvements, specifications are subject to change without notice.



Look to Federal for Innovative Merchandising



The Signature of Quality

FEDERAL INDUSTRIES

A Standex Company

215 FEDERAL AVENUE, BELLEVILLE, WISCONSIN 53508-9201

PHONE: 800-356-4206

EMAIL: geninfo@federalind.com

FAX: 608-424-3234

WEBSITE: www.federalind.com

