

PERFECT PORTIONS. SWEET.

DRY FOOD DISPENSERS

Display and dispense accurate portions of dry ingredients such as candies, toppings or mix-ins

Lift-off lid makes refilling easy

Dispensing lever is ADA Compliant, with no tight grasping or twisting rotation required

One or two liter capacity - dispenser is BPA-free

Control cost with precise portions – 2 oz max, ¼ oz min.; adjustable in 1/8 oz increments

Create a flavor station with 1, 2 or 3 dispensers on a single mounting bracket; each dispenser needs just 5" of linear space

Silicone discharge fitting is removable for easy and quick cleaning

Single and twin 2L models allow for portable dispensing stations and address situations where a mounting surface is not available



DRY DISPENSERS Model DPD

Food Applications

- Add portioned candies, toppings or mix-in ingredients to ice cream, frozen yogurt treats or beverages
- Ideal for free-flowing products that don't melt or clump at room temperature and are less than 1/2" in diameter

Fast Facts

Quickly serve preset portions of candies, toppings or mix-in ingredients. Dispense ¼ oz up to 2 oz servings by volume; adjusts in 1/8 oz increments.

Models with 1, 2 or 3 dispensers of 1 or 2L capacity mount to a sturdy vertical surface to create an eye-catching flavor station. Single and twin 2L countertop models also available.

Accessories are available to help handle ingredients that are clumping or bridging.



1.800.558.8722
Dry-Dispensers.com



NO WASTE OR MESS. TOP THAT.

DRY FOOD DISPENSERS

Model DPD

Specifier Statement

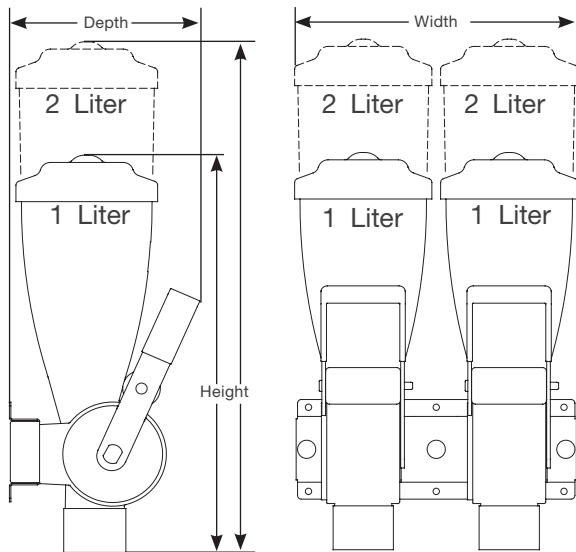
Unit will be a Server Products Model DPD Dry Product Dispenser designed for accurately portioning free-flowing, consistent dry products that don't melt or clump at room temperature and are less than 1/2" in diameter such as candies, toppings and mix-ins. Unit comes complete with 1, 2, or 3 clear hoppers in 1 or 2L capacity sizes and corresponding 18 gauge stainless steel mounting bracket. The dispenser allows portions from 1/4 to 2 oz by volume and is adjustable in 1/8 oz increments. Lift-off lid makes refilling easy. NSF listed. BPA free. ADA Compliant. Two-year warranty. Ships FOB Richfield, WI 53076.

Dry Product Dispenser Codes

- (1) 1 L Dispenser with Bracket DPD 86670
- (2) 1 L Dispensers with Bracket DPD 86690
- (3) 1 L Dispensers with Bracket DPD 86650
- (1) 2 L Dispenser with Bracket DPD 86680
- (2) 2 L Dispensers with Bracket DPD 86640
- (3) 2 L Dispensers with Bracket DPD 86660
- (1) 2 L Dispenser with Stand DPD 87550
- (2) 2 L Dispensers with Stand DPD 87560

Specifications

Part Number	Capacity	Dimensions (height x width x depth)	Weight
86670	1 L	13 9/16" x 4 11/16" x 6 5/16" 34.5 x 11.9 x 16 cm	4 lb 1.8 kg
86690	(2) 1 L	13 9/16" x 9 11/16" x 6 5/16" 34.5 x 24.6 x 16 cm	7 lb 3.2 kg
86650	(3) 1 L	13 9/16" x 14 11/16" x 6 5/16" 34.5 x 37.3 x 16 cm	11 lb 5 kg
86680	2 L	17 7/16" x 4 11/16" x 6 5/16" 44.3 x 11.9 x 16 cm	4 lb 1.8 kg
86640	(2) 2 L	17 7/16" x 9 11/16" x 6 5/16" 44.3 x 24.6 x 16 cm	7 lb 3.2 kg
86660	(3) 2 L	17 7/16" x 14 11/16" x 6 5/16" 44.3 x 37.3 x 16 cm	12 lb 5.4 kg
87550	2 L	26 13/16" x 5 1/8" x 12 1/16" 68.1 x 13 x 30.6 cm	9 lb 4.1 kg
87560	(2) 2 L	26 13/16" x 10 1/8" x 12 1/16" 68.1 x 25.7 x 30.6 cm	14 lb 6.4 kg



Accessory Items

- Double Stand 86561 – for use with 86640 or 86690
- Single Stand 86666 – for use with 86670 or 86680
- Free Flow Accessory, 1 Liter 86663, 2 Liter 86625
- Stir Paddle Accessory, 1 Liter 86587, 2 Liter 86596
- 5" deep Extension Shelf 86755 for Triple models

Related Item

SlimLine™ Dry Food Dispensers display and dispense preset portions of up to (4) candies, toppings, or mix-ins in less than 13" of wall space. Control costs with precise portion control; color-coded trays identify serving size. Stands are available for countertop dispensing.



SlimLine™

