



a Standex company

ITEM: _____ PROJECT NAME: _____ DATE: _____

ITALIAN GLASS NON-REFRIGERATED DISPLAY CASE



MODEL ITD3626-B18

ITD4826-B18

ITD6026-B18

ITD3634-B18

ITD4834-B18

ITD6034-B18

Designed for customers looking for rich, up-scale Italian styling for maximum visual appeal that will drive product sales. Cases are available in lengths of 36", 48", and 60".

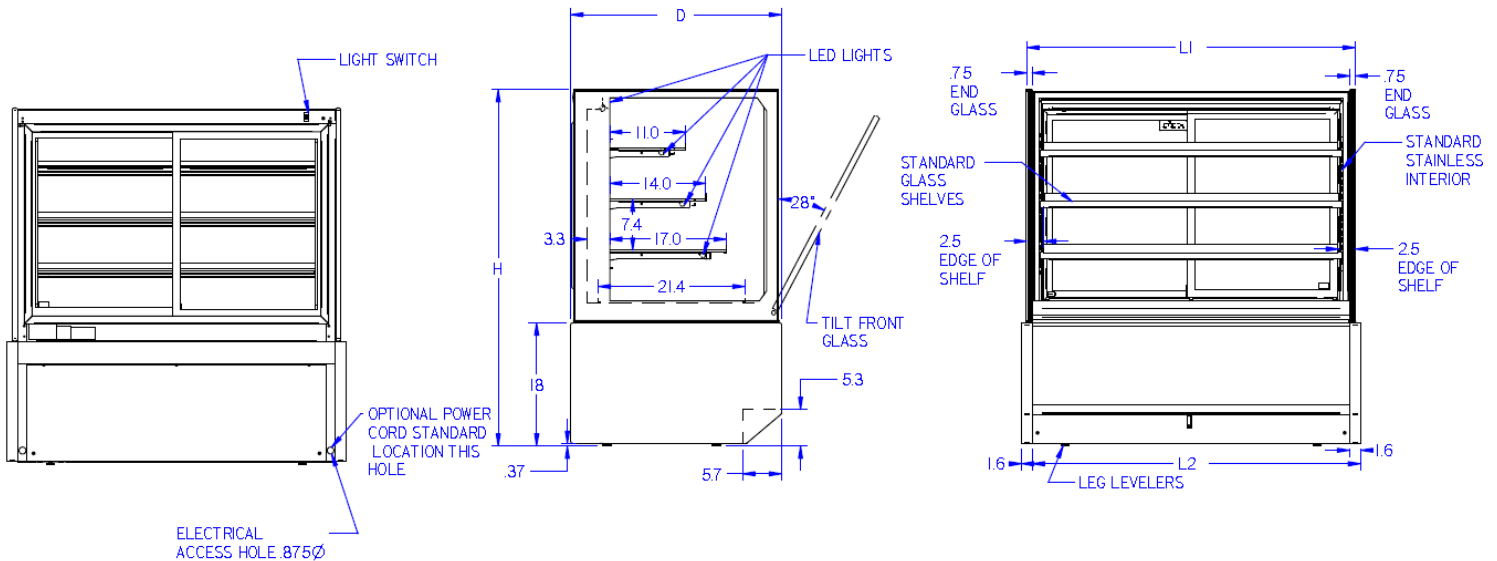
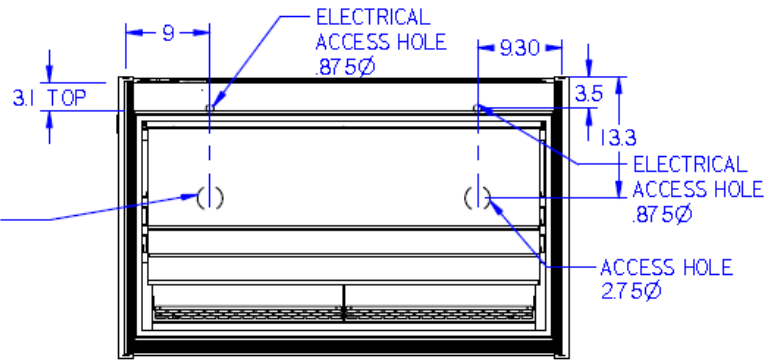
STANDARD FEATURES

- Adjustable glass shelves. Shelves are adjustable up and down and can also be tilted in two positions. 34" models have three tiers of shelves; 26" models have two tiers of shelves.
- Tempered tilt-out front glass for easy cleaning. straight glass for high visual product display.
- Tempered glass top, ends, and doors.
- Removable sliding rear doors.
- Shielded 3500K LED top light and shelf lights.
- Steel base construction with a choice of six standard laminates on base.
- Stainless steel interior
- Leg Levelers
- UL, C-UL, and UL Sanitation Listed.

ITALIAN GLASS NON-REFRIGERATED DISPLAY CASE

OPTIONAL ACCESSORIES:

- Stainless Steel Shelving
- Cord & Plug (NEMA 5-15P)
- Reflective Rear Doors
- Reflective Ends
- Joining Kit for Continuous Line-ups
- Special Base Finish
- Special Base Laminates
- Casters (4" or Recessed)(Includes Cord & Plug)
- 6" Legs With or Without Skirt
- Flush End Panels



SPECIFICATIONS:

MODEL	L1 / L2 x D x H	SHIPPING WEIGHT	VOLTAGE/AMPS
ITD3626-B18	36" / 37.5" x 30.75" x 44"	425	120/60/1- MAX FUSE 15
ITD4826-B18	48" / 49.5" x 30.75" x 44"	475	120/60/1- MAX FUSE 15
ITD6026-B18	60" / 61.5" x 30.75" x 44"	550	120/60/1- MAX FUSE 15
ITD3634-B18	36" / 37.5" x 30.75" x 52"	475	120/60/1- MAX FUSE 15
ITD4834-B18	48" / 49.5" x 30.75" x 52"	525	120/60/1- MAX FUSE 15
ITD6034-B18	60" / 61.5" x 30.75" x 52"	600	120/60/1- MAX FUSE 15

- If a GFCI circuit is required, a GFCI Breaker Must be used instead of GFCI receptacle.
- Due to continuing engineering improvements, specifications are subject to change without notice.



Look to Federal for Innovative Merchandising



The Signature of Quality

FEDERAL INDUSTRIES
A Standex Company

215 FEDERAL AVENUE, BELLEVILLE, WISCONSIN 53508-9201

PHONE: 800-356-4206

EMAIL: geninfo@federalind.com

FAX: 608-424-3234

WEBSITE: www.federalind.com

