



a **Standex** company

ITEM: _____ PROJECT NAME: _____ DATE: _____

COUNTER TOP SIGNATURE SERIES REFRIG. SELF-SERVE REAR MOUNT

MODEL CRR3628SS / CRR4828SS

REFRIG. SELF-SERVE BOTTOM MOUNT

MODEL CRB3628SS / CRB4828SS



The Signature Series counter top self-serve merchandiser combines attractive curved glass styling and merchandising flexibility. Designed for continuous case line-ups. Cases are available in lengths of 3' and 4'.

STANDARD FEATURES

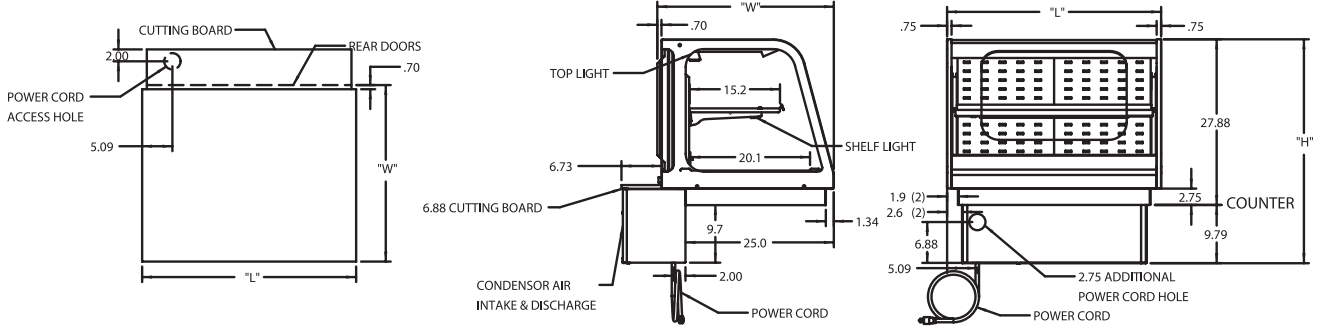
- Curved glass styling.
- Adjustable black metal shelf. Adjustable up and down and can also be tilted in two positions.
- Tempered front glass with self-serve cut out for customer access. Acrylic end panels.
- Shielded top light and shelf light.
- Removable sliding rear doors, shelf light, shelf supports, and shelf.
- Thermometer.
- Removable, scratch-resistant, rustproof black display deck.
- Easily accessible light switch and adjustable temperature control.
- Average case temperature of 38° F to 40° F is maintained.
- Black painted metal and stainless construction. Black trim.
- Designed for continuous line-ups.
- 134A Refrigerant.
- Cord and plug (NEMA 5-15P).
- Installation Flexibility
- Set directly on counter with condensing component mounted on rear (CRR Models).
- Recessed 3" in the counter with condensing component mounted underneath (CRB Models).
- UL Safety and UL Sanitation Listed.

SIGNATURE SERIES REFRIGERATED SELF-SERVE COUNTER TOP MERCHANDISER

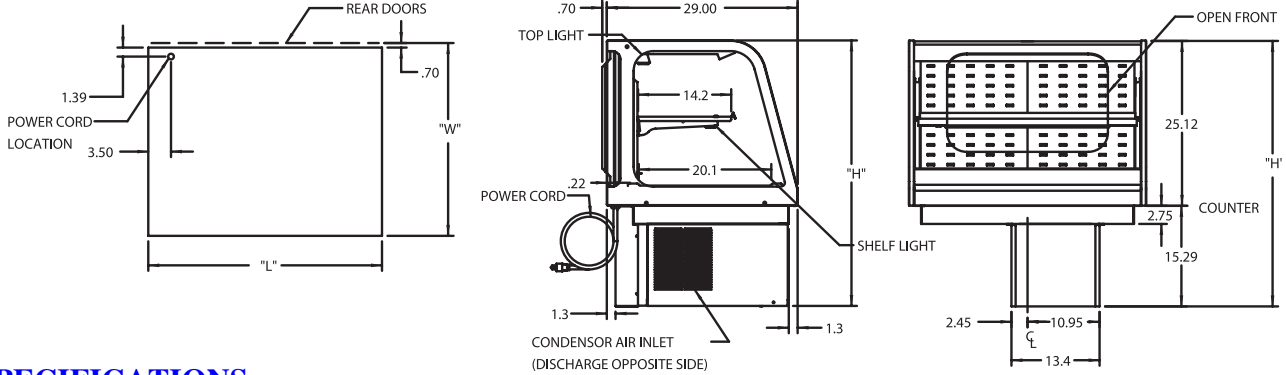
OPTIONAL ACCESSORIES:

- Glass Shelf
- Reflective Ends
- Reflective Rear Doors
- Remote Refrigeration
- LED Lighting

REAR MOUNT



BOTTOM MOUNT



SPECIFICATIONS:

Model	Dimensions*			Shipping Weight (lbs)	Self-Contained 120/60/1	Remote 120/60/1Rear Mount
	L	W	H			
Rear Mount						
CRR3628SS	36.0"	29.7"	37.7"	430	8.1 AMPS	1.5 AMPS
CRR4828SS	48.0"	29.7"	37.7"	500	8.3 AMPS	1.5 AMPS
Bottom Mount						
CRB3628SS	36.0"	29.7"	40.5"	430	8.1 AMPS	3.6 AMPS
CRB4828SS	48.0"	29.7"	40.5"	500	8.3 AMPS	3.8 AMPS

* Height above counter.

- If a GFCI circuit is required, a GFCI Breaker Must be used instead of GFCI receptacle.
- Refrigerated cases are designed to operate in an environment of 75° ambient and 55% relative humidity.
- Due to continuing engineering improvements, specifications are subject to change without notice.



Look to Federal for Innovative Merchandising



The Signature of Quality

FEDERAL INDUSTRIES
A Standex Company

215 FEDERAL AVENUE, BELLEVILLE, WISCONSIN 53508-9201
PHONE: 800-356-4206 **FAX: 608-424-3234**
EMAIL: geninfo@federalind.com **WEBSITE: www.federalind.com**

