



a Standex company

ITEM: _____ PROJECT NAME: _____ DATE: _____

CURVED GLASS DUAL ZONE CASE

MODEL **CGR5042DZ** **CGR5948DZ**
 CGR5048DZ **CGR7742DZ**
 CGR5942DZ **CGR7748DZ**



Sleek curved-glass styling blends with traditional design elements to maximize performance. Cases are available in lengths of 36", 50", 59", and 77". Designed for continuous case line-ups.

STANDARD FEATURES

- Curved glass styling.
- Single base design.
- Left side refrigerated, right side non-refrigerated from customer view.
- Adjustable white wire shelves. Shelves are adjustable up and down and can also be tilted in three positions. 48" models have three tiers of shelves; 42" models have two tiers of shelves.
- Shielded top light and shelf lights.
- Tempered thermopane tilt-out front glass for easy cleaning. Front glass is curved for high visual product display.
- Tempered thermopane glass ends and doors.
- Removable sliding rear doors, shelf lights, shelf supports, and shelves.
- Steel base construction with a choice of six standard laminates on base. Other finishes optional.
- Black trim, others optional.
- White scratch-resistant display deck.
- UL Safety and UL Sanitation Listed.

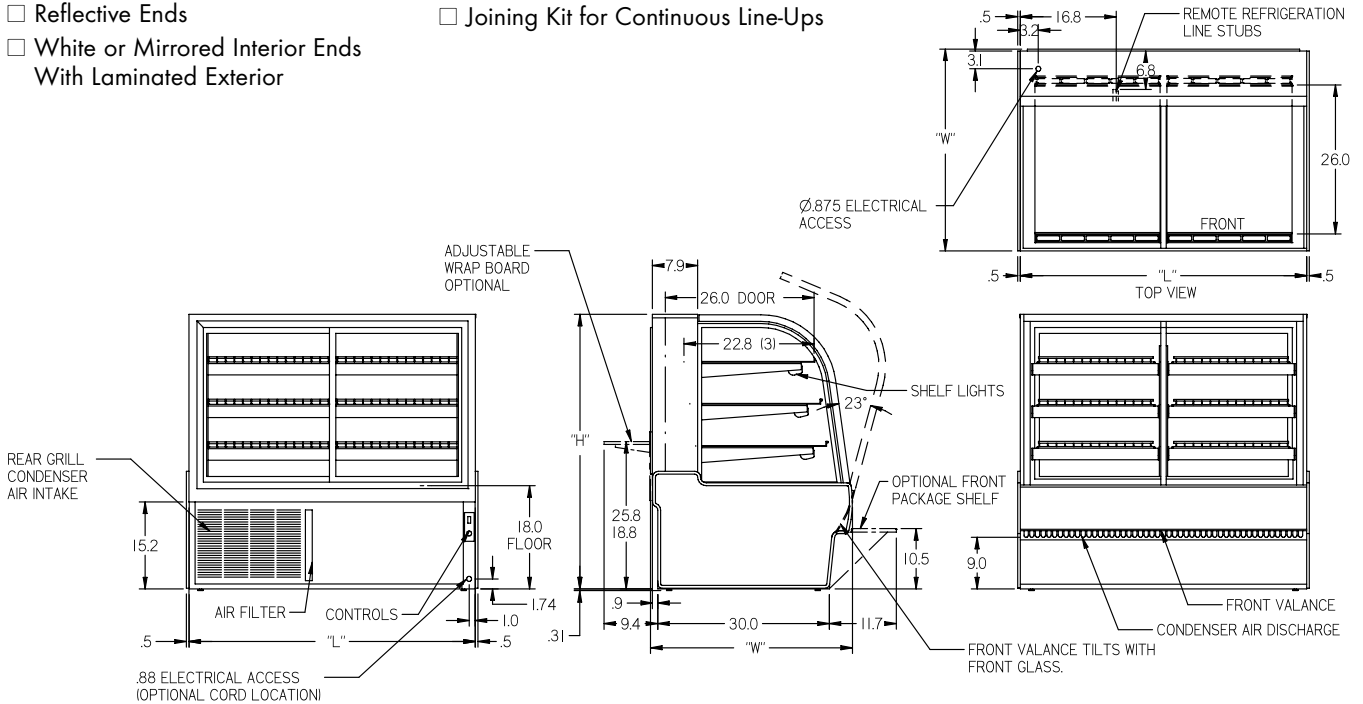
Added Features for Refrigerated Side

- Condenser air filter on self-contained units.
- Thermometer.
- Condensate evaporator provided for a totally self-contained system.
- Oversized coil and low-velocity fan system maintains high humidity and product freshness.
- Easy clean, rustproof insulated evaporator coil compartment.
- Adjustable temperature control.
- Average case temperature of 38° to 40° is maintained.
- Rear access of the refrigeration system for quick and easy service.
- 134A Refrigerant.

CURVED GLASS DUAL ZONE CASE

OPTIONAL ACCESSORIES:

- | | |
|--|--|
| <ul style="list-style-type: none"> <input type="checkbox"/> Special Base Finish <input type="checkbox"/> Glass Shelves <input type="checkbox"/> Rear Wrapping Board <input type="checkbox"/> Cord & Plug
(NEMA 5-15P/77" 5-20P) <input type="checkbox"/> Remote Condensing Unit <input type="checkbox"/> Black, Gold, or Chrome Wire Shelves <input type="checkbox"/> Reflective Ends <input type="checkbox"/> White or Mirrored Interior Ends With Laminated Exterior | <ul style="list-style-type: none"> <input type="checkbox"/> Reflective Rear Doors <input type="checkbox"/> Casters/Cord & Plug Included
(Self-Contained Models Only) <input type="checkbox"/> Legs <input type="checkbox"/> Top Cutting Board, White <input type="checkbox"/> Package Shelf <input type="checkbox"/> Light Below Package Shelf <input type="checkbox"/> Front Glass and Rear Door Locks <input type="checkbox"/> Joining Kit for Continuous Line-Ups |
|--|--|



SPECIFICATIONS:

Model	Dimensions L W H	Self-Contained 120/60/1	Remote 120/60/1
<input type="checkbox"/> CGR5042DZ	50.13" x 35.31" x 42"	1/3 HP • 8.0 AMPS	2.5 AMPS
<input type="checkbox"/> CGR5048DZ	50.13" x 35.31" x 48"	1/3 HP • 8.0 AMPS	2.5 AMPS
<input type="checkbox"/> CGR5942DZ	59.13" x 35.31" x 42"	1/3 HP • 9.0 AMPS	3.0 AMPS
<input type="checkbox"/> CGR5948DZ	59.13" x 35.31" x 48"	1/3 HP • 9.0 AMPS	3.0 AMPS
<input type="checkbox"/> CGR7742DZ	77.13" x 35.31" x 42"	1/3 HP • 9.0 AMPS	3.0 AMPS
<input type="checkbox"/> CGR7748DZ	77.13" x 35.31" x 48"	1/3 HP • 9.0 AMPS	3.0 AMPS

- Refrigerated cases are designed to operate in a maximum environment of 75°F ambient and 55% relative humidity.
- Due to continuing engineering improvements, specifications are subject to change without notice.



The Signature of Quality

FEDERAL INDUSTRIES
A Standex Company

215 FEDERAL AVENUE, BELLEVILLE, WISCONSIN 53508-9201
PHONE: 800-356-4206 **FAX: 608-424-3234**
EMAIL: geninfo@federalind.com **WEBSITE: www.federalind.com**

