



# COMBI CK-35V

2 in 1: vegetable cutter (900 lbs./h) + cutter with 5.5 liter bowl



DYNAMIC PREPARATION  
FOOD PROCESSOR / VEG PREP COMBI MACHINES



## FEATURES AND BENEFITS

*As a veg prep machine, its ergonomic design enables the product to be cut in one single movement. As a food processor, it has a 5.5-lt bowl with mixer and micro-serrated blades.*

Equipped with "brushless" technology: powerful and efficient motors.

- ✓ Maximum efficiency: maintain the torque throughout the speed range.
- ✓ Exclusive "force control system": guarantee of a uniform and high quality result.
- ✓ Lightweight and compact design: they weigh less, they occupy less space.
- ✓ Improved air/water-tightness since no ventilation is required.
- ✓ They generate less noise: improved workplace environment.

**Cutting function: a perfect cut**

- ✓ High precision settings and comprehensive cutter and disc design aimed at obtaining a perfect cut.
- ✓ It can be fitted with a wide range of discs and grids of the highest cutting quality. Combining these accessories together to obtain more than 70 different types of cuts and grating grades.
- ✓ Exclusive "Force Control System" to optimise and standardise the cutting of each product: acoustic warning when the motor exceeds the pre-established force.

**Cutter function: efficiency and performance**

- ✓ Possibility of programming by time and pulse button.
- ✓ Reverse function, ideal for mixing products instead of cutting.
- ✓ 5.5 lt stainless steel bowl.
- ✓ Polycarbonate lid with built-in "cut&mix" mixer.
- ✓ Depending on the purpose, the possibility of using optional smooth or perforated blades.

**Built to last**

- ✓ Made from stainless steel and food-grade materials of the highest quality: stainless steel motor block and food-grade aluminium head. Stainless steel hopper with highly-resistant polycarbonate lid.

**Maximum comfort for the user**

- ✓ Ergonomic design: product sliced in one single movement.
- ✓ Lateral product output: it requires less room on the work surface and directs the product avoiding splashing.
- ✓ Advanced control panel that is very intuitive to use and offers all the information at a glance.

**Maintenance, safety, hygiene**

- ✓ Plunger, lid and bowl easy to remove for changing or cleaning.
- ✓ Combination of security systems: head, covers, bowl, power switch.
- ✓ Appliance certified by NSF International (regulations on hygiene, cleaning and materials suitable for contact with foods).
- ✓ 100% tested.

## INCLUDES

- ✓ Variable speed motor block.
- ✓ Universal head.
- ✓ Cutter bowl, with micro-serrated blade rotor.

## ACCESSORIES

- FCC Curved Slicing Discs
- FCO Rippled Slicing Discs
- FFC Chipping Grids
- FMC Dicing Grids
- FCE Julienne Discs
- FR Shredding & Grating Discs
- Disc and Grid Packs
- Disc and Grid Holder
- Blades for CK / K / KE
- Grid Cleaning Kit
- FC-D Slicing Discs
- SH Shredding & Grating Discs :: NEW: Detachable without tools & dishwasher safe

## SALES DESCRIPTION

It has a variable speed motor block, universal head and 5.5-lt cutter bowl equipped with a rotor with micro-serrated blades.

Brushless technology.



**sammic** | www.sammic.us  
Food Service Equipment Manufacturer

usa@sammic.com  
1225 Hartrey Avenue  
60202-1056 Evanston, IL

phone +1 (224) 307-2232  
toll free +1 844 275 3848



Project	Date
Item	Qty
Approved	

product sheet  
updated 01/10/20



# COMBI CK-35V

2 in 1: vegetable cutter (900 lbs./h) + cutter with 5.5 liter bowl



## SPECIFICATIONS

Total loading: 3 Hp

### As vegetable preparation machine

Hourly production: 200 lbs. - 900 lbs.

Inlet opening: 21 in2

Disc diameter: 8 "

Speed as veg. slicer: 300 rpm - 1000 rpm

External dimensions (WxDxH): 15.4 " x 16.1 " x 21.7 "

Net weight (Veg.Pre.): 53 lbs.

### As cutter

Bowl capacity: 5.3 qt.

Speeds as cutter (positions): 300 rpm - 3000 rpm

External dimensions (WxDxH): 11.3 " x 15.2 " x 19.2 "

Net weight (Cutter): 39.7 lbs.

Noise level (1m.): <70 dB(A)

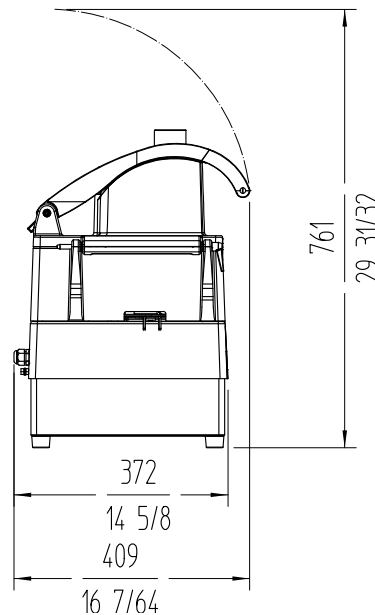
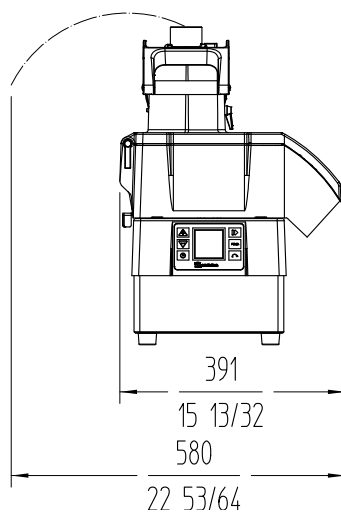
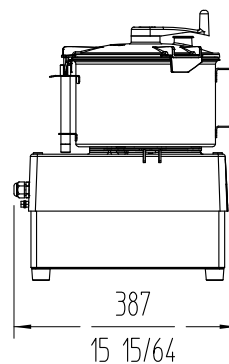
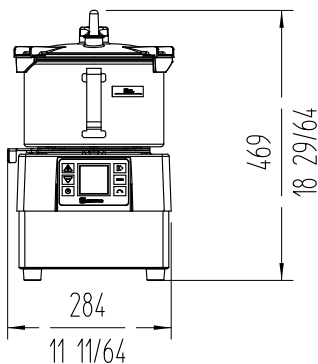
Background noise: 32 dB(A)

### Crated dimensions

27.8 x 16.3 x 20.3 "

Volume Packed: 0.15 m³

Gross weight: 70.1 lbs.



## AVAILABLE MODELS

1050756 Combi vegetable prep.-cutter CK-35V 120/50-60/1

\* Ask for special versions availability

**sammic** | www.sammic.us  
Food Service Equipment Manufacturer

usa@sammic.com  
1225 Hartrey Avenue  
60202-1056 Evanston, IL

phone +1 (224) 307-2232  
toll free +1 844 275 3848



Project	Date
Item	Qty
Approved	

DYNAMIC PREPARATION  
FOOD PROCESSOR / VEG PREP COMBI MACHINES

product sheet  
updated 01/10/20