



COOKING EQUIPMENT

Commercial Gas Range with Oven

Model	Oven	Burners	Griddle
IR-6B	1	6	none
IR-2B24G	1	2	24"

STANDARD FEATURES

Construction

- Stainless steel front, sides, backsplash and over shelf
- Heavy duty steel frame
- Removable, easy to clean 12" x 12" cast iron top grates
- Removable crumb tray
- Cast iron burners
- 6" caster kit included - two with lock, two without
- 3/4" rear NPT gas connection

Oven Features

- 30,000 BTU oven burner
- Cool to touch oven door handle
- Two adjustable oven racks per oven cavity
- Compression spring door system
- Flame failure safety device
- Nano Porcelain chip resistant oven liner
- Temperature range from 250°F - 550°F
- Holds full size sheet pans

Griddle (IR2B24G)

- 3/4" thick griddle plate
- 4" welded griddle side shields
- Stainless steel "U" burner with heat every 6" and valve control every 12"

Control

- High performance and efficient cast iron burners each giving off 30,000 BTU/hour
- Instant light flame adjustable control knobs
- Individual pilot lights
- Push in knob with efficient Hi-Low burner system
- LPG conversion kit included
- Warranty: 1 year parts and labor



SPECIFICATIONS

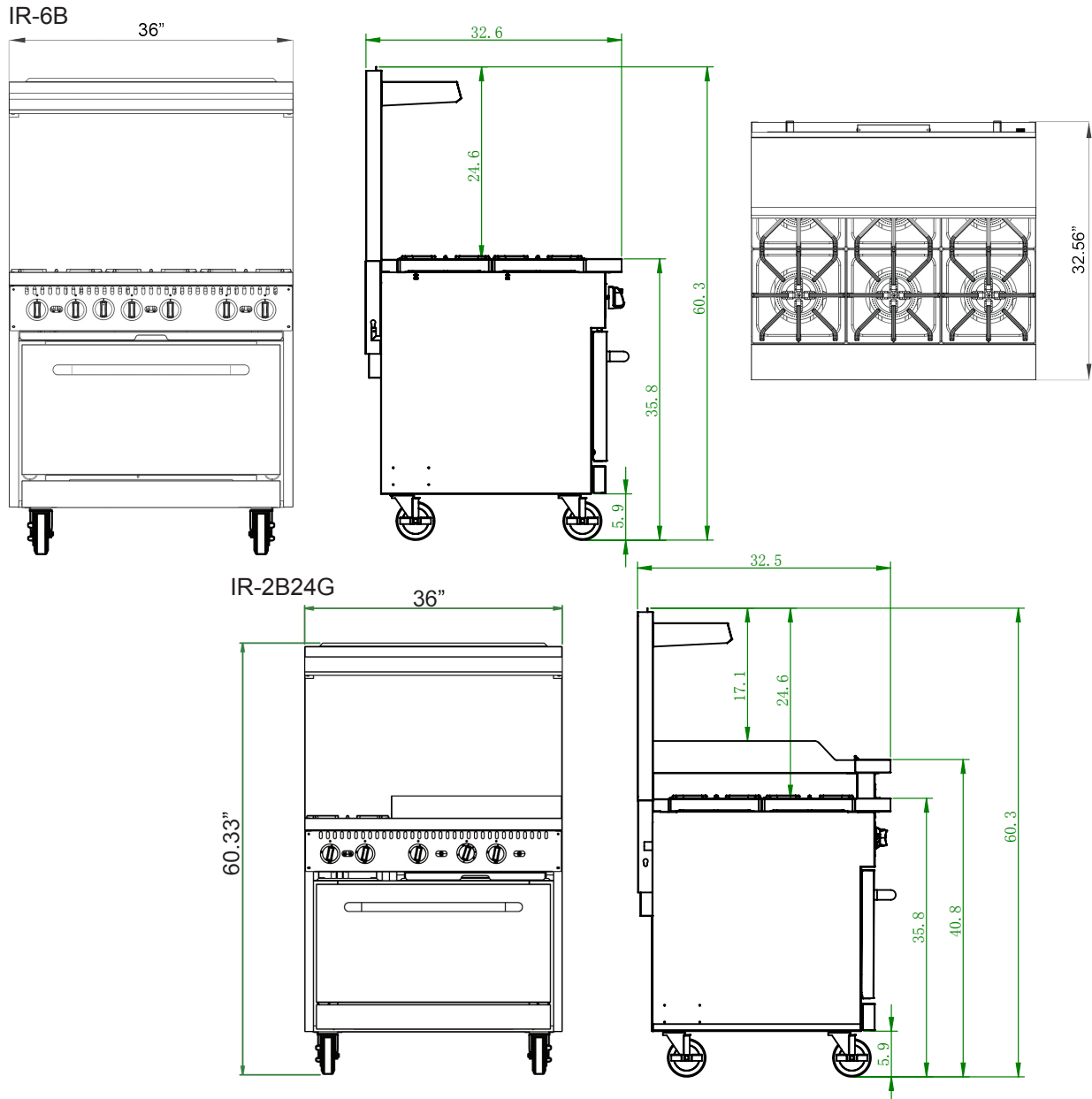
The Iron Range Commercial Gas Range has powerful 30,000 BTU cast iron burners. Each burner has an individual pilot light, removable cast iron grate, and instant light flame adjustable control knob. It is constructed with a stainless steel front, sides, backsplash and over shelf, and includes casters and a 3/4" NPT gas connection. Units are shipped for natural gas but are easily converted to LPG (propane) gas with the LPG conversion kit that is included.

All ranges carry ETL approval for gas and sanitation that pass USA requirements for use in food service.



IMPORTANT INFORMATION:

- A convertible pressure regulator is provided with this unit.
Natural Gas 4.0" (102 mm) W.C.
Propane Gas 10.0" (279 mm) W.C.
- Gas connection is 3/4" NPT (19mm) rear gas connection



Model	Burners	External Dimensions			Internal Oven Dimensions			BTU's per burner	BTU's per oven	BTU's per burner (griddle)	Total BTUs	Crated Weight (lbs)
		W	D	H	W	D	H					
IR-6B	6	36	32.6	60.3	26.8	25.8	13.7	30,000 x 6	30,000	--	210,000	455
IR-2B24G	2	36	32.5	60.3	26.8	25.8	13.7	30,000 x 2	30,000	20,000 x 2	130,000	507

Specifications are subject to change without notice.

