

# Amana® Commercial

Project #: \_\_\_\_\_

Item #: \_\_\_\_\_



Model RC30S2 shown

## Heavy Volume

This category of microwave is ideal for...

### Applications:

- Schools
- Grocery seafood departments
- Healthcare facilities
- Cafeteria/buffet operations

### Through put potential:

- 1 lb. batch of spaghetti, 4 per hour
- 1 lb. batch of pre-cooked refrigerated mashed potatoes, 50 per hour
- Frozen corn on the cob, 80+ ears per hour
- 4 oz. portions of scrambled eggs, 9+ per hour

### Defrost:

- Defrosts most frozen food products

All ACP, Inc. commercial ovens are backed by our Culinary Center. Call us with any question regarding food preparation, menu development and cooking times. 866-426-2621.



## Heavy Volume

### Amana Commercial Microwave Model RC30S2

#### Power Output

- 3000 watts of power.
- 11 power levels for consistent, delicious results for frozen, refrigerated and fresh foods - from the freezer to table in minutes.
- Unique method of energy distribution provides superior even heating throughout the cavity.

#### Easy to Use

- Up to 100 programmable menu items simplifies cooking and ensures consistent results.
- Four stage cooking option with one-touch programming. Reduces prep time, labor and food waste while providing consistent results.
- Controls are user friendly and require minimal training.
- Multiple quantity pad calculates the proper cook times for up to 8 items.
- Automatic voltage sensor for easy installation.
- See-through door and lighted interior for monitoring without opening the door.
- Ample 1.0 cubic ft. (28 liter) capacity accommodates two standard 4" (102mm) deep half-sized pans.
- Interior ceramic shelf is sealed and recessed to reduce plate-to-shelf edge impact and keep spills contained.

#### Easy to Maintain

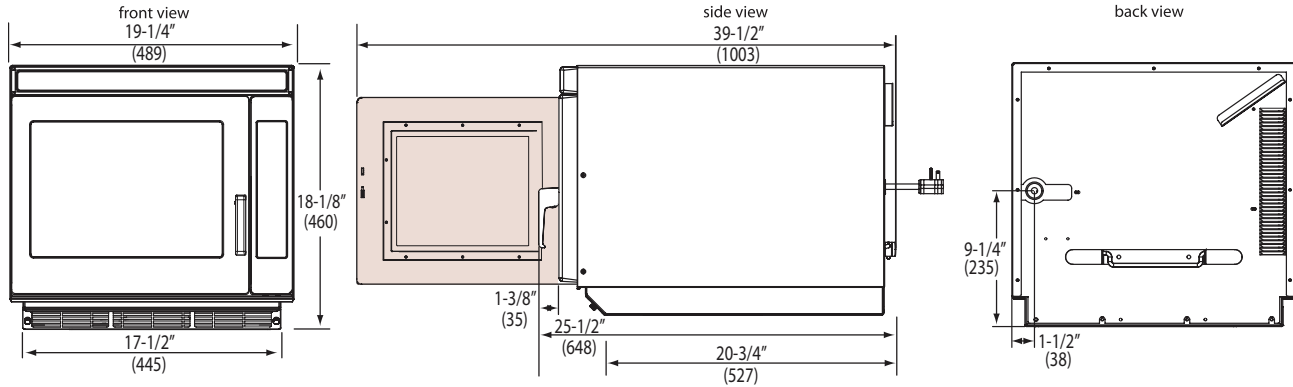
- Braille touch pads are ADA compliant.
- Stainless steel exterior and interior for easy cleaning and a professional look.
- Constructed to withstand the foodservice environment.
- Removable, cleanable air filter and clean filter reminder protect oven components.
- Backed by the ACP, Inc. 24/7 ComServ Support Center, 866-426-2621.
- ETL Listed.



AIA File #:

Specification #:

# Commercial Microwave Model RC30S2 | Heavy Volume



**Installation Clearances** - Top: 2" (51), Sides: 1" (25), Back: None

Drawings available from KCL CADlog - techs@kclcad.com

Specification #:

| Specifications            |   |                       |                   |
|---------------------------|---|-----------------------|-------------------|
| Model                     | RC30S2  | UPC Code 719881159539 |                   |
| Configuration             | Countertop                                    |                       |                   |
| Control System            | Touch   |                       |                   |
| Programmable Control Pads | 10  |                       |                   |
| Braille                   | Yes   |                       |                   |
| Settings Programmable     | 100   |                       |                   |
| Max. Cooking Time         | 60:00   |                       |                   |
| Power Levels              | 11  |                       |                   |
| Defrost                   | Yes, power level 2                            |                       |                   |
| Time Entry Option         | Yes, 3  |                       |                   |
| Microwave Distribution    | Triple rotating antenna - two top, one bottom |                       |                   |
| Magnetrons                | 3   |                       |                   |
| Display                   | LED   |                       |                   |
| Stage Cooking             | Yes, 4  |                       |                   |
| Interior Light            | Yes   |                       |                   |
| Door Opening              | Lift and pull handle                          |                       |                   |
| Pause Setting             | Yes   |                       |                   |
| Signal                    | Adjustable, end of cycle                      |                       |                   |
| Air Filter                | Yes, removable, with clean filter reminder    |                       |                   |
| Call Service Alert        | Yes   |                       |                   |
| Automatic Voltage Sensor  | Yes   |                       |                   |
| Multiple Portion Setting  | Yes, up to 8 items                            |                       |                   |
| Exterior Dimensions       | H 18 1/8" (460)                               | W 19 1/4" (489)       | D** 25 1/2" (648) |
| Cavity Dimensions         | H 8 1/2" (216)                                | W 13" (330)           | D 15" (381)       |
| Door Depth                | 40" (1016mm), 90°+ door open                  |                       |                   |
| Usable Cavity Space       | 1.0 cubic ft. (28 liter)                      |                       |                   |
| Exterior Finish           | Stainless steel                               |                       |                   |
| Interior Finish           | Stainless steel with sealed-in ceramic shelf  |                       |                   |
| Power Consumption         | 4400 W, 21.2 A                                |                       |                   |
| Power Output*             | 3000 W* Microwave                             |                       |                   |
| Power Source              | 208 - 240V, 60 Hz, 30 A single phase          |                       |                   |
| Plug Configuration / Cord | NEMA 6-30                                     | 5 ft. (1.5m)          |                   |
| Frequency                 | 2450 MHz                                      |                       |                   |
| Product Weight            | 115 lbs. (52 kg.)                             |                       |                   |
| Ship weight (approx.)     | 123 lbs. (56 Kg.)                             |                       |                   |
| Shipping Carton Size      | H 21 1/2" (546)                               | W 21 3/4" (553)       | D 28 1/4" (718)   |

**Specifications**  
Commercial microwave 10 touch pad control panel shall be programmable with the ability to program up to 100 menu items and shall have automatic cooking capability for up to eight portions. Cooking timer shall be 60 minute, countdown style with a time entry option and an adjustable end of cycle audible signal. LED display shall be a backlit. There shall be 11 power levels, 4 cooking stages and defrost mode at 20% power. Microwave output shall be 3000 watts distributed by three magnetrons each with a rotating antenna to provide superior even heating throughout the cavity. An automatic voltage sensor shall accommodate both 208 and 240 volts. Heavy duty door shall have a tempered glass window and a grab and pull handle with a 90°+ opening for easy access. An interior light shall facilitate monitoring without opening the door. The large 1.0 cubic ft. (28 liter) cavity shall accommodate two standard 4" (102 mm) deep half-sized pans. Interior ceramic shelf shall be sealed and recessed into the bottom of the cavity to reduce plate-to-shelf edge impact. Oven shall have a stainless steel interior and exterior for cleanability and a professional look. Oven shall have a removable, cleanable splatter shield. Air filter shall be easily accessible and removable from the front of the oven and have a "clean filter" reminder feature. A "call service alert" shall appear on display when service is needed. Microwave oven shall comply with standards set by the U.S Department of Health and Human Services, ETL for safety and sanitation.



**Warranty**  
Warranty Certificate for this product can be found on the ACP, Inc. website at:

[www.acpsolutions.com/warranty](http://www.acpsolutions.com/warranty)



**Service**  
All products are backed by the ACP, Inc. 24/7 ComServ Support Center.

AIA File #:

Measurements in ( ) are millimeters

\* IEC 60705 Tested

\*\* Includes handle