



Reach-In Single Zone Refrigerator

TBR36-RI, TBR60-RI, TBR84-RI, TBR108-RI



TBR36-RISZ1-L-B-G-1



TBR60-RISZ1-L-S-SS-1

JOB	
AREA	
ITEM NO.	
MODEL NO.	

TBR36-RI	1-DOOR MODEL
TBR60-RI	2-DOOR MODEL
TBR84-RI	3-DOOR MODEL
TBR108-RI	4-DOOR MODEL



NSF/ANSI standard 7 compliant for the storage and/or display of packaged or bottled product.

MODEL NUMBERS		TBR36-RI	TBR60-RI	TBR84-RI	TBR108-RI
NUMBER OF COMPARTMENTS		1	2	3	4
EXTERIOR CABINET DIMENSIONS	Width - in. (mm)	36 (915)	60 (1524)	84 (2134)	108 (2744)
	†Depth - in. (mm)	24 ⁷ / ₈ (613)	24 ⁷ / ₈ (613)	24 ⁷ / ₈ (613)	24 ⁷ / ₈ (613)
	*Height - in. (mm)	34 ³ / ₄ (881)	34 ³ / ₄ (881)	34 ³ / ₄ (881)	34 ³ / ₄ (881)
INTERIOR CABINET DIMENSIONS	Width - in. (mm)	20 ¹³ / ₃₂ (518)	44 ¹³ / ₃₂ (1128)	68 ¹³ / ₃₂ (1737)	92 ¹³ / ₃₂ (2347)
	Depth - in. (mm)	18 ³ / ₄ (417)	18 ³ / ₄ (417)	18 ³ / ₄ (417)	18 ³ / ₄ (417)
	Height - in. (mm)	30 ²⁷ / ₃₂ (783)	30 ²⁷ / ₃₂ (783)	30 ²⁷ / ₃₂ (783)	30 ²⁷ / ₃₂ (783)
INTERNAL VOLUME Net. Cu. Ft. (Litres)		7.5 / 212	16.22 / 459	24.94 / 706	33.66 / 953
PRODUCT CAPACITY	12oz. Cans	44 - 6pks	101 - 6pks	164 - 6pks	220 - 6pks
	12oz. Bottles	27 - 6pks	63 - 6pks	96 - 6pks	132 - 6pks
	Barrels	1 - 1/2	2 - 1/2	3 - 1/2	4 - 1/2
CRATED WEIGHT Lbs. (kg.)		290 / 132	395 / 180	470 / 214	630 / 286
ELECTRICAL SPECIFICATIONS	Electrical Supply	115V/60Hz/1PH	115V/60Hz/1PH	115V/60Hz/1PH	115V/60Hz/1PH
	Running Load Amps	1.8	3.2	3.2	3.2
	Electrical Connection	Cord Connected	Cord Connected	Cord Connected	Cord Connected
	Cord Plug Type	NEMA 5-15	NEMA 5-15	NEMA 5-15	NEMA 5-15
	Cord Length ft. (m)	10' (3.04)	10' (3.04)	10' (3.04)	10' (3.04)
	Defrost Initiation	Automatic	Automatic	Automatic	Automatic
	Defrost Type	Off cycle	Off cycle	Off cycle	Off cycle
	Thermostat	Digital Control	Digital Control	Digital Control	Digital Control
REFRIGERATION SPECIFICATIONS	Lighting Type	LED‡	LED‡	LED‡	LED‡
	Horsepower	1/8	1/8	1/8	1/8
	Refrigerant	R290	R290	R290	R290
	Refrigerant Charge (grams)	85	85	85	85
	Factory Temperature Setting - Refrigerator F (C)	34° (1.1°)	34° (1.1°)	34° (1.1°)	34° (1.1°)
	Temperature Range - Refrigerator F (C)	33° - 38° (0.5° - 3.3°)	33° - 38° (0.5° - 3.3°)	33° - 38° (0.5° - 3.3°)	33° - 38° (0.5° - 3.3°)
	Factory Temperature Setting - White Wine F (C)	45° (7.2°)	45° (7.2°)	45° (7.2°)	45° (7.2°)
	Factory Temperature Setting - Red Wine F (C)	55° (12.8°)	55° (12.8°)	55° (12.8°)	55° (12.8°)
	Temperature Range - Wine F (C)	42° - 65° (5.6° - 18.3°)	42° - 65° (5.6° - 18.3°)	42° - 65° (5.6° - 18.3°)	42° - 65° (5.6° - 18.3°)
	Condensing Unit Location	Left Side	Left Side	Left Side	Left Side
	Expansion Device	Capillary tube	Capillary tube	Capillary tube	Capillary tube
	Pull-Out Condensing Unit	Yes	Yes	Yes	Yes
Front Vented	Yes	Yes	Yes	Yes	
PLUMBING		Automatically	Automatically	Automatically	Automatically

‡ Optional TruLumina® Lighting available. Upcharge applies.

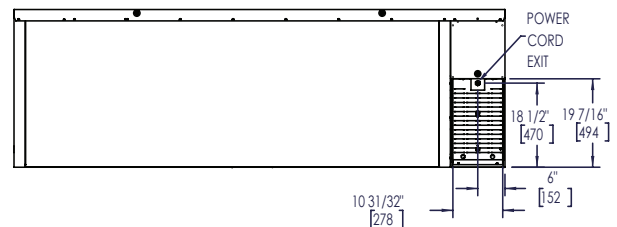
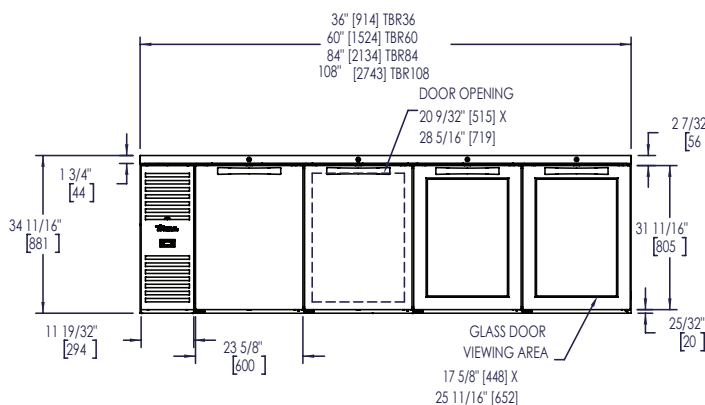
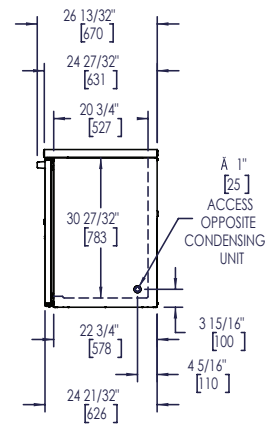
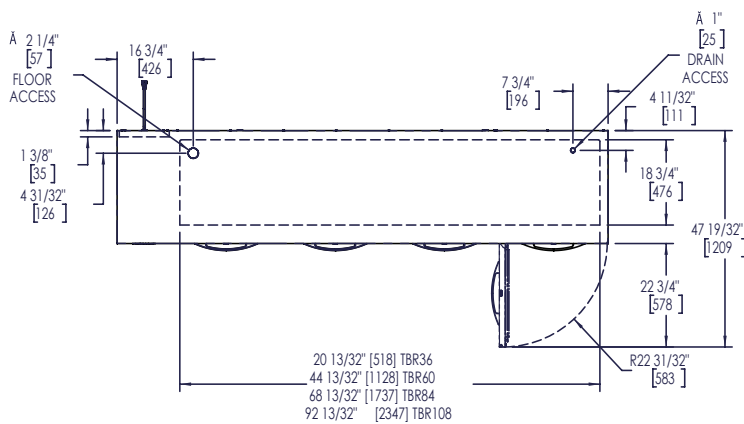
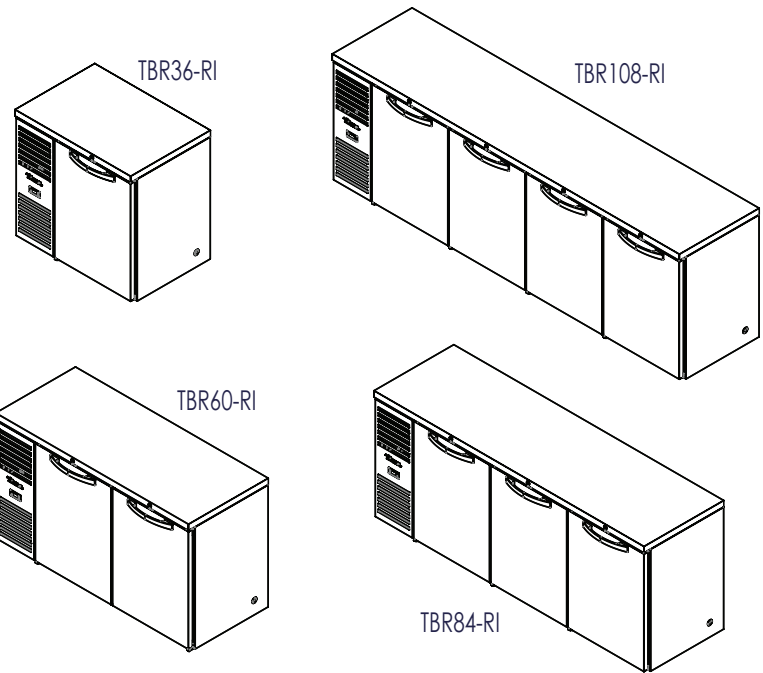
† Depth does not include 1 1/2" (35 mm) for door handles. * Height does not include 1/4" (7 mm) for leg levelers.

TRUE MANUFACTURING CO., INC. - U.S.A. FOODSERVICE DIVISION

2001 East Terra Lane • O'Fallon, Missouri 63366-4434 • (636)240-2400 • Fax (636)272-2408 • Toll Free (800)325-6152
 Intl Fax# (001)636-272-7546 • Parts Dept. (800)424-TRUE • Parts Dept. Fax# (636)272-9471 • www.truemfg.com



Reach-In Single Zone Refrigerator
TBR36-RI, TBR60-RI, TBR84-RI, TBR108-RI



California Prop 65 Notice:

WARNING: The materials used in this product may contain chemicals known to the State of California to cause cancer and birth defects or other reproductive harm. For more information go to www.P65Warnings.ca.gov.

TRUE MANUFACTURING CO., INC. - U.S.A. FOODSERVICE DIVISION

2001 East Terra Lane • O'Fallon, Missouri 63366-4434 • (636)240-2400 • Fax (636)272-2408 • Toll Free (800)325-6152
 Intl Fax# (001)636-272-7546 • Parts Dept. (800)424-TRUE • Parts Dept. Fax# (636)272-9471 • www.truemfg.com