

Technical data sheet for

H8T-FS-UC HOLDING CABINET - FULL SIZE

8 Tray Electric Under-counter Holding Cabinet TOUCH SCREEN CONTROL



STANDARD FEATURES

- Under-counter 32" / 810mm unit height
- Designed for individual use or system installed with Turbofan E32T Convection Ovens
- 8 full size 18" x 26" sheet pan capacity
- 27/8" / 74mm tray spacing
- Compact 287/8" / 735mm width
- 208-240V plug-in 15A NEMA 6-15P cordset fitted
- 1900W (240V), 1430W (208V) cabinet heating
- Full double skin construction
- Touch Screen Control
- Icon driven program menu
- Individual shelf timers
- USB port for program/icon updating
- Electronic temperature control
- Continuous door seal
- Low velocity circulation fan system
- Dual halogen cabinet interior lamps
- Cabinet drain to condensate pan
- 4 dia. 2 1/2" / 65mm castors with 2 front castors with wheel and swivel lock, 2 rigid rear castors
- 100% recyclable packaging



H8T-FS-UC

Unit shall be a Moffat electrically heated Turbofan Under-counter Holding Cabinet. E.T.L listed and NSF.4 listed. The holding cabinet shall have double skin construction with stainless steel interior and exterior sides, front and top. Door shall be side hinged. Unit shall have capacity for 8 full size 18" x 26" sheet pans. A single speed fan shall gently and evenly circulate air around the cabinet. Cabinet shall be controlled by a 5.7" Touch Screen control with individual shelf timers and cabinet temperature control. Holding cabinet shall be mounted on castors, with two rigid castors at rear and two castors, swivel and wheel lock at front. Holding Cabinet shall be fitted with a NEMA 6-15P cordset. Unit shall be supplied in 100% recyclable shipping packaging.

H8T-FS-UC 8 Tray Electric Full Size Under-counter Holding Cabinet TOUCH SCREEN CONTROL

CONSTRUCTION

304 stainless steel interior cabinet
 Stainless steel front, sides and top exterior
 Stainless steel interior side racks
 Stainless steel frame, side hinged door
 0.2"/5mm thick door glass
 Stainless steel control panel
 Aluminised coated steel rear panels
 Stainless steel base

CONTROLS

5.7" LED backlit touch screen
 Icon driven menu
 BMP image icon imports via USB port
 Program updates via USB port
 Individual shelf timers
 Temperature range 68-194°F / 20- 90°C

CLEANING

Stainless steel top and side exterior panels
 Removable plug-in oven door seal (no tools required)

SPECIFICATIONS

Electrical Requirements
 208-240V, 60Hz, 1-phase, 2.05kW, 8.5A
 NEMA 6-15P cordset fitted

External Dimensions

Width 28⁷/₈" / 735mm
 Height 31⁷/₈" / 810mm including dia. 2¹/₂" / 65mm castors
 Depth 31⁷/₈" / 810mm

Nett Weight
 179 lbs / 81kg

Packing Data

218lbs / 99kg
 28.3 ft³ / 0.80m³
 Width 30³/₄" / 780mm
 Height 42¹/₂" / 1080mm
 Depth 37⁷/₈" / 960mm

INSTALLATION CLEARANCES

Rear 1" / 25mm
 LH Side 0" / 0mm
 RH Side 0" / 0mm

CLEARANCE FROM SOURCES OF HEAT

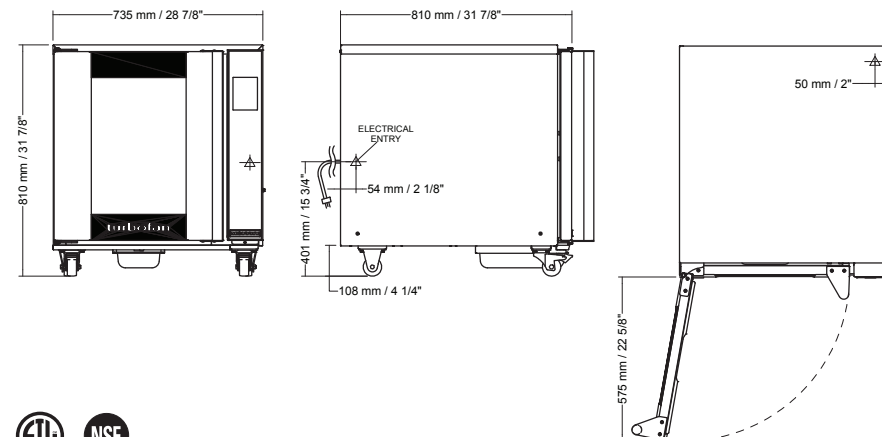
A minimum distance of 12" / 300mm from the appliance sides is required



www.moffatusa.com
 www.turbofanoven.com

U.S.A.

Moffat Inc
 3765 Champion Boulevard
 Winston-Salem
 North Carolina 27105
 Ph Toll Free 1-800-551 8795
 Ph 336-661 0257
 Fax 336-661 9546
 Email sales@moffat.com
 www.moffatusa.com



Manufactured by:
 Moffat Limited
 45 Illinois Drive, Izone Business Hub
 Rolleston 7675, New Zealand



ISO9001
 Quality
 Management
 Standard

Designed and manufactured by



ISO9001

All Turbofan products are designed and manufactured by Moffat using the internationally recognised ISO9001 quality management system, covering design, manufacture and final inspection, ensuring consistent high quality at all times.

In line with policy to continually develop and improve its products, Moffat Limited reserves the right to change specifications and design without notice.

© Copyright Moffat Ltd
 US.TFN.S.1701

an Ali Group Company



The Spirit of Excellence