

Technical data sheet for

H8D-FS-UC HOLDING CABINET - FULL SIZE

8 Tray Electric Under-counter Holding Cabinet DIGITAL CONTROL



STANDARD FEATURES

- Under-counter 32" / 810mm unit height
- Designed for individual use or system installed with Turbofan E32D Convection Ovens
- 8 full size 18" x 26" sheet pan capacity
- 2⁷/₈" / 74mm tray spacing
- Compact 28⁷/₈" / 735mm width
- 208-240V plug-in 15A NEMA 6-15P cordset fitted
- 1900W (240V), 1430W (208V) cabinet heating
- Full double skin construction
- Digital display Temperature and Timer controls
- Large easy view 3³/₄" / 20mm high displays
- Electronic temperature control
- 3 hold timers
- Continuous door seal
- Low velocity circulation fan system
- Dual halogen cabinet interior lamps
- Cabinet drain to condensate pan
- 4 dia. 2¹/₂" / 65mm castors with 2 front castors with wheel and swivel lock, 2 rigid rear castors
- 100% recyclable packaging

d

H8D-FS-UC

Unit shall be a Moffat electrically heated Turbofan Under-counter Holding Cabinet. E.T.L listed and NSF.4 listed. The holding cabinet shall have double skin construction with stainless steel interior and exterior sides, front and top. Door shall be side hinged. Unit shall have capacity for 8 full size 18" x 26" sheet pans. A single speed fan shall gently and evenly circulate air around the cabinet. Cabinet shall be controlled by a Digital display electronic Temperature and Timer controller. 3 hold timers shall be standard. Holding cabinet shall be mounted on castors, with two rigid castors at rear and two castors, swivel and wheel lock at front. Holding Cabinet shall be fitted with a NEMA 6-15P cordset. Unit shall be supplied in 100% recyclable shipping packaging.

H8D-FS-UC 8 Tray Electric Full Size Under-counter Holding Cabinet DIGITAL CONTROL

CONSTRUCTION

304 stainless steel interior cabinet
Stainless steel front, sides and top exterior
Stainless steel interior side racks
Stainless steel frame, side hinged door
0.2"/5mm thick door glass
Stainless steel control panel
Aluminised coated steel rear panels
Stainless steel base

CONTROLS

Electronic controls with Digital Time and Temperature displays
Large 3/4" / 20mm high LED displays
ON/OFF key
Cabinet lamp key
Temperature set and actual key
3 timer keys
Timer range up to 4 hours
Timers countdown or count-up modes
Temperature range 68-194°F / 20- 90°C

CLEANING

Stainless steel top and side exterior panels
Removable plug-in oven door seal (no tools required)

SPECIFICATIONS

Electrical Requirements
208-240V, 60Hz, 1-phase, 2.05kW, 8.5A
NEMA 6-15P cordset fitted

External Dimensions

Width 28⁷/₈" / 735mm
Height 31⁷/₈" / 810mm including dia. 2¹/₂" / 65mm castors
Depth 31⁷/₈" / 810mm

Nett Weight
179 lbs / 81kg

Packing Data

218lbs / 99kg
28.3 ft³ / 0.80m³
Width 30³/₄" / 780mm
Height 42¹/₂" / 1080mm
Depth 37⁷/₈" / 960mm

INSTALLATION CLEARANCES

Rear 1" / 25mm
LH Side 0" / 0mm
RH Side 0" / 0mm

CLEARANCE FROM SOURCES OF HEAT

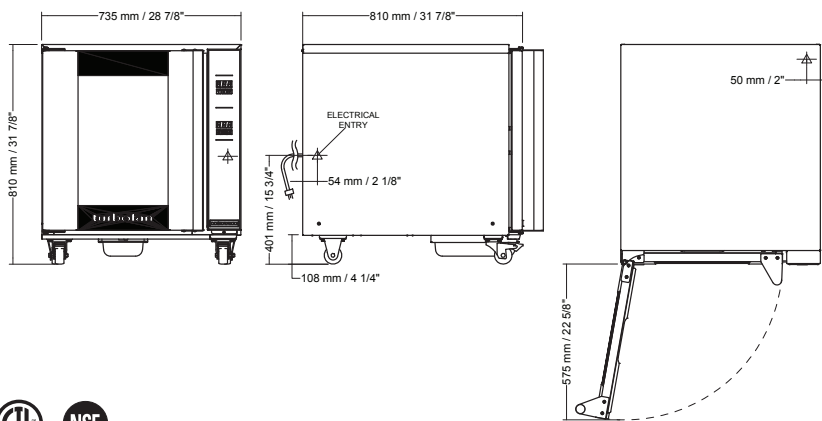
A minimum distance of 12" / 300mm from the appliance sides is required



www.blue-seal.ca
www.turbofanoven.com
www.servecanada.com

CANADA

Serve Canada
40 East Pearce Street
Richmond Hill ON
L4B 1B7
Ph Toll Free 800-263-1455
Fax 905-731-7687
Email info@servecanada.com



Manufactured by:
Moffat Limited
45 Illinois Drive, Izone Business Hub
Rolleston 7675, New Zealand



ISO9001
Quality
Management
Standard

Designed and manufactured by



ISO9001

All Turbofan products are designed and manufactured by Moffat using the internationally recognised ISO9001 quality management system, covering design, manufacture and final inspection, ensuring consistent high quality at all times.

In line with policy to continually develop and improve its products, Moffat Limited reserves the right to change specifications and design without notice.

© Copyright Moffat Ltd
CA.TFN.S.1701



an Ali Group Company



The Spirit of Excellence