

# Keep cool and organized.

## Fountain Jar Cold Topping Stations



Chill multiple fountain jars in one compact station with pumps or ladles and ice packs (not included)

Countertop and drop-in (DI) models available

Brushed stainless steel finish helps reduce the visibility of fingerprints

Stainless steel pumps are clean-in-place certified; Solution™ pump parts are dishwasher safe

Solution™ pumps include (3) discharge fittings to accommodate thin, thick and thicker food products



Fountain Jar Cold Topping Stations  
Models SB-2, SB-2DI, SB-3, SB-3DI, SB-4 & SB-4DI

### STAINLESS STEEL PUMP STATIONS

(drop-in models & details on p 2)



SB-2 79890



SB-3 83790



SB-4 83700

### SOLUTION™ PUMP STATIONS

(drop-in models & details on p 3)



SB-2 79790



SB-3 79810



SB-4 79830

### LID AND LADLE STATIONS

(drop-in models & details on p 4)



SB-2 79930



SB-3 80510



SB-4 80540

### FAST FACTS

- Stainless steel pump max 1 ¼ oz portion reduces in 1/8 oz increments; the Solution™ pump 1 oz max portion reduces in ¼ oz increments
- Insulated base prevents condensation on the outside when chilling
- Black knobs are standard
- Slotted lid closes fully around ladle

### APPLICATIONS

- Potentially hazardous dressing and condiments like mayo that require cooling
- Toppings like candy bar pieces or fresh fruits and vegetables

# Chill anywhere, at any time.

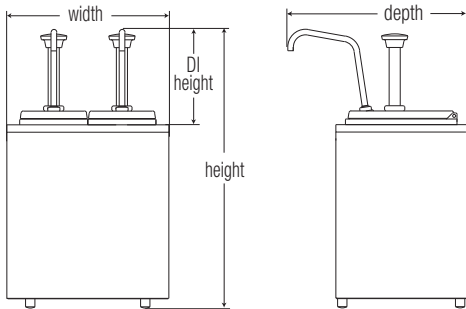
## Stainless Steel Pump Cold Stations

Models SB-2, SB-2DI, SB-3, SB-3DI, SB-4 & SB-4DI

DISPENSES	<b>THIN</b> fountain syrups • oils • hot sauce
	<b>THICK</b> ketchup • mustard • mayonnaise • bbq
	<b>THICKER</b> tartar sauce • crafted sauces
APP	<b>AMBIENT</b>
	<b>COLD</b>
	<b>HOT</b>

### SPECIFIER STATEMENT

**79890 | 79950 | 83790 | 83860 | 83700 | 83720:** Server Products SST pump cold stations are constructed of an insulated stainless steel base with a brushed finish. Stations come complete with standard, deep white fountain jars (82557) and stainless steel CP-F pumps (83330). 1 ¼ oz (37 mL) max stroke reduces in ⅛ oz (3.7 mL) increments. Cold stations can be chilled with (1) eutectic ice pack (94141, not included) per jar or with ice. Black knobs are standard. NSF listed. BPA Free. Two-year warranty. Ships FOB Richfield, WI 53076.



model/item	drop-in cutout (W x D)
SB-2DI 79950	11" x 8 7/8" 16.2 x 22.5 cm
SB-3DI 83860	15 5/8" x 8 7/8" 39.7 x 22.5 cm
SB-4DI 83720	20 1/4" x 8 7/8" 51.4 x 22.5 cm

order quantity	dispenses	model/item	application	description	dims (H x W x D)	weight
		SB-2 79890		(2) pumps and 3 ½ qt (3.3 L) jars countertop	18 11/16" x 10 7/8" x 12" 47.5 x 24.4 x 30.5 cm	16 lb 7.3 kg
		SB-2DI 79950		(2) pumps and 3 ½ qt (3.3 L) jars drop-in (DI)	6 7/16" x 10 7/8" x 12" 16.4 x 16.2 x 30.5 cm	
		SB-3 83790		(3) pumps and 3 ½ qt (3.3 L) jars countertop	18 11/16" x 15 1/2" x 12" 47.5 x 39.4 x 30.5 cm	22 lb 10 kg
		SB-3DI 83860		(3) pumps and 3 ½ qt (3.3 L) jars drop-in (DI)	6 7/16" x 15 1/2" x 12" 16.4 x 39.4 x 30.5 cm	
		SB-4 83700		(4) pumps and 3 ½ qt (3.3 L) jars countertop	18 11/16" x 20 1/8" x 12" 47.5 x 51.1 x 30.5 cm	28 lb 8.2 kg
		SB-4DI 83720		(4) pumps and 3 ½ qt (3.3 L) jars drop-in (DI)	6 7/16" x 20 1/8" x 12" 16.4 x 51.1 x 30.5 cm	

# Keep cool and organized.

## Solution™ Pump Cold Stations

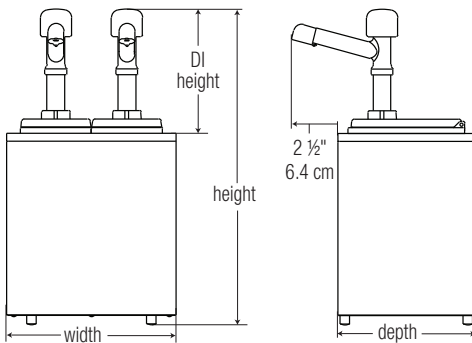
Models SB-2, SB-2DI, SB-3, SB-3DI, SB-4 & SB-4DI

DISPENSES		<b>THIN</b> fountain syrups • oils • hot sauce
		<b>THICK</b> ketchup • mustard • mayonnaise • bbq
		<b>THICKER</b> tartar sauce • crafted sauces
APP		AMBIENT
		COLD
		HOT

### SPECIFIER STATEMENT

**79790 | 79800 | 79810 | 79820 | 79830 | 79840:** Server Products insulated serving station combo models are constructed of a stainless steel base with a brushed finish. Stations come complete with deep, standard white fountain jars (82557) and polycarbonate PS-F pumps (81910).

Pump parts are dishwasher safe and replaceable. Includes three interchangeable discharge fittings to dispense thin, thick and thicker ingredients. 1 oz (30 mL) max stroke reduces in ¼ oz (7 mL) increments. Stations can be chilled with (1) eutectic ice pack (94141, not included) per jar or with ice. NSF listed. Two-year warranty. Ships FOB Richfield, WI 53076.



model/item	drop-in cutout (W x D)
SB-2DI 79800	11" x 8 7/8" 16.2 x 22.5 cm
SB-3DI 79820	15 5/8" x 8 7/8" 39.7 x 22.5 cm
SB-4DI 79840	20 1/4" x 8 7/8" 51.4 x 22.5 cm



order quantity	dispenses	model/item	application	description	dims (H x W x D)	weight
		SB-2 79790		(2) 3 ½ qt (3.3 L) jars, (2) Solution™ pumps countertop	20 5/16" x 10 7/8" x 8 13/16" 51.6 x 27.6 x 22.4 cm	15 lb 6.8 kg
		SB-2DI 79800		(2) 3 ½ qt (3.3 L) jars, (2) Solution™ pumps drop-in	8 1/8" x 10 7/8" x 8 13/16" 20.6 x 27.6 x 22.4 cm	
		SB-3 79810		(3) 3 ½ qt (3.3 L) jars, (3) Solution™ pumps countertop	20 5/16" x 15 1/2" x 8 13/16" 51.6 x 39.4 x 22.4 cm	19 lb 8.6 kg
		SB-3DI 79820		(3) 3 ½ qt (3.3 L) jars, (3) Solution™ pumps drop-in (DI)	8 1/8" x 15 1/2" x 8 13/16" 20.6 x 39.4 x 22.4 cm	
		SB-4 79830		(4) 3 ½ qt (3.3 L) jars, (4) Solution™ pumps countertop	20 5/16" x 20 1/8" x 8 13/16" 51.6 x 51.1 x 22.4 cm	24 lb 10.9 kg
		SB-4DI 79840		(4) 3 ½ qt (3.3 L) jars, (4) Solution™ pumps drop-in	8 1/8" x 20 1/8" x 8 13/16" 20.6 x 51.1 x 22.4 cm	

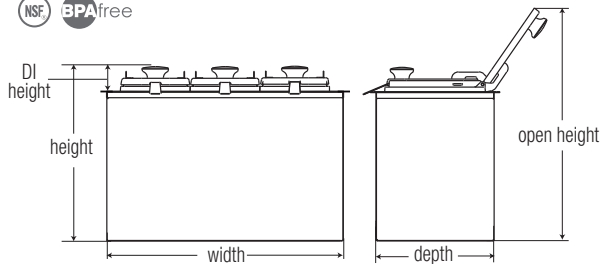
# Chill anywhere, at any time.

## Cold Stations with Ladles

Models SB-2, SB-2DI, SB-3, SB-3DI, SB-4 & SB-4DI

### SPECIFIER STATEMENT

**79930 | 79990 | 80510 | 80520 | 80540 | 80530:** Server Products cold stations with ladles are constructed of an insulated stainless steel base with a brushed finish. Each station includes shallow, white plastic fountain jars (82558), stainless steel hinged lids (82545), and 1 oz (30 mL) ladles (82562). Stations can be chilled with (1) eutectic ice pack (94141, not included) per jar or with ice. Black knobs are standard. NSF listed. BPA Free. Two-year warranty. Ships FOB Richfield, WI 53076.



SB-2DI 79990



SB-3DI 80520



SB-4DI 80530

model/item	drop-in cutout (W x D)
SB-2DI 79990	11" x 8 7/8" 16.2 x 22.5 cm
SB-3DI 80520	15 5/8" x 8 7/8" 39.7 x 22.5 cm
SB-4DI 80530	20 1/4" x 8 7/8" 51.4 x 22.5 cm

order quantity	model/item	application	description	dims (H x W x D)	open height	weight
<input type="checkbox"/>	SB-2 79930		(2) 2 qt (1.9 L) jars, lids and ladles countertop	14 1/4" x 10 7/8" x 8 13/16" 36.2 x 27.6 x 22.4 cm	19 3/8" 49.2 cm	11 lb 5 kg
<input type="checkbox"/>	SB-2DI 79990		(2) 2 qt (1.9 L) jars, lids and ladles drop-in (DI)	1 7/8" x 10 7/8" x 8 13/16" 4.8 x 27.6 x 22.4 cm	7 1/8" 18.1 cm	
<input type="checkbox"/>	SB-3 80510		(3) 2 qt (1.9 L) jars, lids and ladles countertop	14 1/4" x 15 1/2" x 8 13/16" 36.2 x 39.4 x 22.4 cm	19 3/8" 49.2 cm	14 lb 6.4 kg
<input type="checkbox"/>	SB-3DI 80520		(3) 2 qt (1.9 L) jars, lids and ladles drop-in (DI)	1 7/8" x 15 1/2" x 8 13/16" 4.8 x 39.4 x 22.4 cm	7 1/8" 18.1 cm	
<input type="checkbox"/>	SB-4 80540		(4) 2 qt (1.9 L) jars, lids and ladles countertop	14 1/4" x 20 1/8" x 8 13/16" 36.2 x 51.1 x 22.4 cm	19 3/8" 49.2 cm	18 lb 8.2 kg
<input type="checkbox"/>	SB-4DI 80530		(4) 2 qt (1.9 L) jars, lids and ladles drop-in (DI)	1 7/8" x 20 1/8" x 8 13/16" 4.8 x 51.1 x 22.4 cm	7 1/8" 18.1 cm	

### RELATED ITEMS

#### Colored Fountain Jars

Choose black or orange jars rather than white; use orange jars to call out common food allergens like nuts.

item	description	capacity	jar color
83149	standard, deep fountain jar	3 1/2 qt 3.3 L	
83156			
83147	standard, shallow fountain jar	2 qt 1.9 L	
83148			



#### Colored, engraved knobs

Interchangeable engraved and colored knobs help staff and patrons identify contents, coordinate with store themes or promote branded products. Specify color and text at time of order. Exact shade may vary from picture. Black knob is standard.

