

Ice Merchandisers - Indoor



(Black Exterior, Special Order)



ICB-1-GL

Height 75.75"
 Length 55.50"
 Depth 36.25"



ICB-2-GL

Height 75.75"
 Length 76.25"
 Depth 36.25"



ICB-2-L-G

(formerly ICB-100-GL)
 Height 75.75"
 Length 96.00"
 Depth 36.25"

Features

- Exterior cabinet made of white vinyl clad steel
- Custom front trim enhances cabinet appearance, sturdy, stainless steel top
- Hinged door with chrome plated hardware seals magnetically
- Reinforced 16 gauge galvanized steel base
- Foamed in place high density CFC free polyurethane foam insulation
- Heavy duty galvanized steel interior with air distribution channels
- High capacity blower cooled refrigeration system with automatic defrost
- Self contained heavy duty 134a condensing unit
- Graphics are visible on three sides for maximum merchandising effect
- Fully visible glass doors enhance your display
- The interior is provided with a lighting system to maximize visibility
- Equipped with heated safety glass

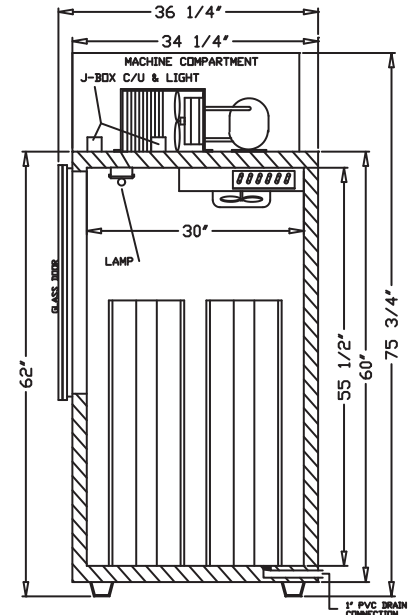
Model No.	Description	Voltage	Amps	Temp	HP	Est. Ship Weight
ICB-1-GL	1 Door	115	10	23 °F - 30 °F	1/3	494#
ICB-2-GL	2 Doors	115	12	23 °F - 30 °F	1/2	658#
ICB-2-L-G	2 Doors	115	12	23 °F - 30 °F	1/2	774#

Technical Data / Ice Merchandisers - Indoor



Model #	ICB-1-GL	ICB-2-GL	ICB-2-L-G
Outside Dimensions			
Depth	36.25"	36.25"	36.25"
Length	55.50"	76.25"	96.00"
Height	75.75"	75.75"	75.75"
Door Size			
Door Type	1 swing	2 swing	2 swing
Inside Dimensions			
Depth	30.00"	30.00"	30.00"
Length	51.00"	72.00"	92.00"
Height	55.50"	55.50"	55.50"
# of 7lb bags	150	225	300
Capacity: Cubic Foot	47	60	85
Specifications			
Operating Temperature	23°F-30°F	23°F-30°F	23°F-30°F
Refrigerant	134a	134a	134a
Compressor Size HP	1/3	1/2	1/2
Defrost	3@30min	3@30min	3@30min
Voltage	115	115	115
Amperage	10.0	12.0	12.0
Cord and Plug	yes	yes	yes
Shipping Dimensions			
Depth	44.00"	44.00"	44.00"
Length	62.00"	83.00"	102.00"
Height	82.00"	82.00"	82.00"
Gross Weight lbs.	494	658	774
Cubic feet	129	173	228

**ICB-1-GL
ICB-2-GL
ICB-2-L-G**



- Cases are designed to operate at 75°F and 55% relative humidity.
- Specification subject to change without notice.

