

Project _____
Item _____
Quantity _____
CSI Section 11400
Approved _____
Date _____

QuietQube® RNF-1020C

Remote Nugget Ice Machine

Models

 RNF-1020C


RNF-1020C Remote Nugget Ice Machine - 115V



RCU Condensing Unit - 208-230V



RNF-1020C Remote Nugget Ice Machine on D-570 Bin

Standard Features

QuietQube® Series Remote System consists of a remote condensing unit, interconnecting refrigerant lines, ice machine head section, ice deflector, and ice storage unit- whether storage bin, countertop or floor-standing dispenser. All ordered separately. QuietQube ice machine with RCUF condensing unit is designed as a Manitowoc system and not for use with any other ice machine or remote condenser brand.

- Bite sized nugget with 85% ice content offers one of the best ice to water ratios for maximum cooling and minimal drink dilution
- Up to 1,025 lbs. (465 kg) of daily ice production
- Perfect for beverage applications, dispensing, smoothies, and cold therapy
- Can be paired with any 22" Servend beverage dispenser for an unbeatable soft-drink experience
- High load maintenance free bearings for enhanced reliability
- Stainless steel exterior has a clean and modern look to enhance the display in any self-serve environment
- Evaporator is designed for maximum quality and operating life

| COMMERCIAL WARRANTY | | |
|---------------------|------------|----------------------------|
| ICE MAKER | COMPRESSOR | |
| 3 | 3 | 5 |
| YEAR PARTS | YEAR LABOR | YEAR PARTS 3 YEAR LABOR |

Ice Shape

Nugget ice consists of small pieces ranging from 3/8" to 1/2" in width and length. Offers a 85% ice to water ratio with a soft, chewable texture while still providing maximum cooling and great dispensability.



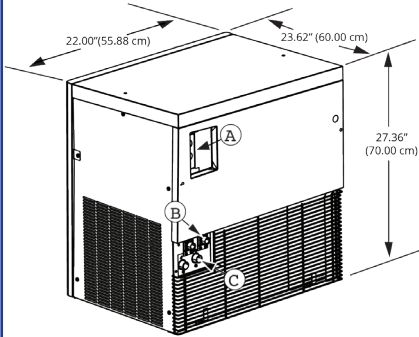
Ice shown actual size



QuietQube® RNF-1020C Remote Nugget Ice Machine



RNF-1020C Ice Machine



Shipping Weight: 195 lbs. / 88 kgs.

- A** 3/8" F.P.T. Ice Making Water Inlet
- B** Refrigerant Lines
- C** Electrical Entrance
- D** 3/4" M.P.T. Drain Fitting

Dispenser Note - Verify with the dispenser manufacturer that the correct agitator and deflector kit for nugget ice dispensing is included with your dispenser purchase.

Ice Machine Electric

115/60/1 standard
Minimum Circuit Ampacity: 2.9

Max. fuse size: 15 amps
 The ice machine and condensing unit are powered independently of each other.

Specifications

Refrigerant: R404A

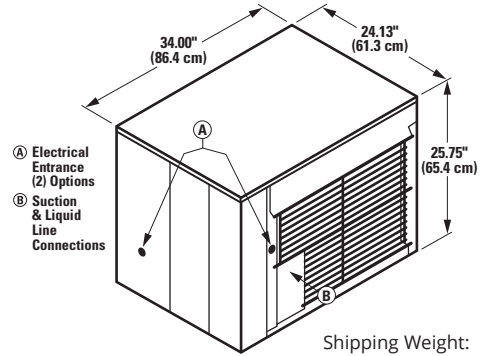
Operating Limits:

- Ambient Temperature Range: 50°-100°F (14.4°-37.8°C)
- Water Temperature Range: 45°-90°F (7.2°-32.2°C)
- Water Pressure Ice Maker Water In: Min. 20 psi (137.9 kPa) Max. 70 psi (483 kPa)

Standard Interconnecting Tubing

| Model | Line Length | | Weight | |
|-------|-------------|----|--------|-----|
| | ft. | m. | lbs. | kgs |
| RC-51 | 50 | 15 | 28 | 13 |

RCUF-1200 Condensing Unit



Shipping Weight: 200 lbs / 91 kg

Condensing Unit Electric

208-230/60/1 standard.

Note: QuietQube ice machine is wired independent of condensing unit.

- Min. circuit ampacity:** 15 1ph 15 3ph
- Max. fuse size:** 15 1ph 15 3ph
- BTU Per Hour:** 7,680 (average) 14,000 (peak)

Compressor: Nominal rating: 1.5 HP

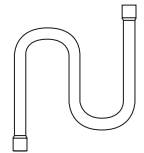
Operating Limits:

Ambient Temperature Range: -20° to 120°F (-29° to 49°C)

Installation Information and Dimensions:

- Maximum Line Length—100' (30.5 m)*
- Maximum Vertical Rise*—35' (10.7 m) above ice machine.
- Maximum Vertical Drop—15' (4.5 m) below ice machine.

*A rise over 20' (6 m) requires S-Trap Kit K-00172 - ordered separately



Remote Air-cooled Ice Machine

| Model | Ice Shape | Ice Production 24 Hours | | Power Usage 90°Air/ 70°F Water 32°Air/21°C Water | Potable Water Usage / 100 lbs. 45.4 kgs. of Ice |
|-----------|-----------|---|---|--|---|
| | | 70°Air/ 50°F Water 21°Air/10°C Water | 90°Air/ 70°F Water 32°Air/21°C Water | | |
| RNF-1020C | Nugget | 1025 lbs. | 840 lbs. | 4.53 | 12 Gal. |
| | | 465 kgs | 381 kgs | | 45.4 L |

Order ice storage bin separately. Will not accept AuCS accessory.

Welbilt reserves the right to make changes to the design or specifications without prior notice.