

RFK-1300 Flake Ice Machine

Model

- RFK-1300A RFK-1300W



Model RFK-1300A
Flake Ice Machine
on D-570 Bin

Standard Features

- Up to 590 kgs (1301 lbs) daily flake ice production
- Easy to clean due to internal rounded surfaces
- High load maintenance free bearings for enhanced reliability
- Service updates facilitate installation and make cleaning easier
- Flake Ice is perfect for food display, salad bars, and cold therapy/healthcare
- Ice forms around object without bruising and holds objects in place without tipping/spilling
- Heavy duty stainless steel cabinet resists corrosion

| COMMERCIAL WARRANTY | | |
|---------------------|------------|----------------------------|
| ICE MAKER | | COMPRESSOR |
| 3 | 3 | 5 |
| YEAR PARTS | YEAR LABOR | YEAR PARTS 2 YEAR LABOR |

Specifications

Condenser Heat of Rejections (BTU per hour):
Air: 14,000 (average)
Water: 1,500 (average)

Refrigerant: R452A

Ice Machine Electric

220-240/50/1

Ave power consumption: 1400 W

Maximum fuse size:
16 amps.

HACR-type circuit breakers can be used in place of fuses.

Operating Limits:

- Ambient Temperature Range:
Air- and Water-cooled:
50°-110° F (10°-43° C)
- Water Temperature Range:
37°-90° F (3°-32° C)
- Water Pressure Ice Maker
Water In:
Min. 14 psi (1 bar)
Max. 84 psi (6 bar)
- Condenser Inlet Water In:
(water-cooled only)
Min 20 psi (1.4 bar)
Max 150 psi (10.3 bar)

Water Condenser not for sea water applications.

Ice Shape

Flake ice is small hard bits of ice ideally suited for presentation applications.

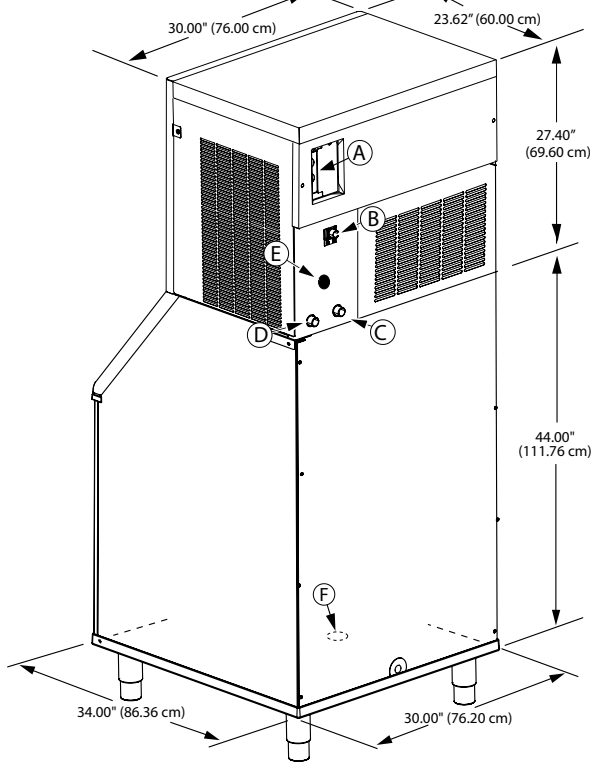


www.manitowocice.com



RFK-1300 Flake Ice Machine

RFK-1300 on D-570 Storage Bin



Installation Note -
Minimum installation clearance:
Top/sides: 8" (20.32 cm),
Back: 5" (12.70 cm).

- (A) Electrical Entrance (2) Options
- Air-Cooled Units:**
 - (B) 3/8" F.P.T. Ice Making Water Inlet
 - (C) 1/2" M.P.T. Ice Making Water Drain
- Water-Cooled Unit Option:**
 - (B) 3/8" F.P.T. Condenser Inlet
 - (C) 1/2" M.P.T. Condenser Drain
 - (D) 1/2" M.P.T. Ice Making Water Drain
 - (E) 3/8" F.P.T. Ice Making Water Inlet
 - (F) 3/4" F.P.T. Bin Drain

Shipping Weight 113kg / 249lbs

Space-Saving Design



RFK-1300 on D-570

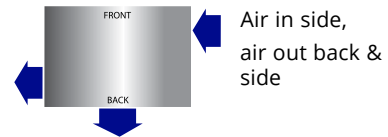
| | |
|-------------|---------------------|
| Height | 77.40" 196.60 cm |
| Width | 30.00" 76.00 cm |
| Depth | 34.00" 86.36 cm |
| Bin Storage | 430 lbs. 195 kgs |

Height includes adjustable bin legs 6.00" to 7.00"; (15.24 to 17.78 cm) set at 6.00" (15.24 cm).

Accessories

K-00470 Bin Adapter for RFP-1300 on a 48" D-970 ice bin

Air Flow Overhead View



| | Model | Ice | Ice Production 24 Hrs. | | Power kWh/45.4 kgs/100 lbs of Ice 32°/21°C 90° Air/70° F Water | Water Usage (45.4 kgs/100 lbs of Ice) | |
|---------------------|-----------|-------|---|--|--|---------------------------------------|-----------------|
| | | | 10° Air/7°C Water 50° Air/45°F Water | 21° Air/15°C Water 70° Air/60°C Water | | Potable Water | Condenser Water |
| Air-Cooled | RFK-1300A | Flake | 590 kgs | 510 kgs | 4.54 kWh | 12 gal. | N/A |
| | | | 1301 lbs | 1124 lbs | | 45.4 L | N/A |
| Water-Cooled | RFK-1300W | Flake | 590 kgs | 510 kgs | 4.54 kWh | 12 gal. | 96 gal. |
| | | | 1301 lbs | 1124 lbs | | 45.4 L | 363 L |

Welbilt reserves the right to make changes to the design or specifications without prior notice.

www.manitowocice.com

Welbilt Deutschland GmbH
Auf der Weih 11
D - 35745 Herborn,
Germany
Tel.: +49 27 72 58 050
welbilt.com.de

Welbilt Iberia, S.A.U
Textil, 6 - Pol.Ind. La Ferreria
- 08110 Montcada i Reixac
Barcelona, Spain
Tel.: +34 902 20 10 69
welbilt.com.es

Welbilt UK
Ashbourne House, The Guildway,
Old Portsmouth Rd, Guildford
GU3 1LR, United Kingdom
Tel.: +44 1483 464900
www.welbilt.uk

