

# NEO<sup>®</sup> 240 Undercounter Ice Machines

NEO<sup>®</sup> 240 Undercounter Ice Machines

## Models

- UDF-0240A       UYF-0240A
- UDF-0240W       UYF-0240W



U-240

- Up to 220 lbs (100 kg) of daily ice production
  - Only 26" (66.04 cm) wide, 28.50" (72.4 cm) deep, and 38.50" (97.8 cm) high on 6" (15.24 cm) legs
  - Cabinet volume 3.037 ft<sup>3</sup> (0.086 m<sup>3</sup>)
  - 90 lb. (40.0 Kg) ice storage capacity\*
- \* Application capacity based on: 90% volume x 33lbs/ft<sup>3</sup> average density of ice.

NEO undercounter ice machines are designed to provide ice right where you need it – within reach. Improvements in **Performance, Intelligence and Convenience** make your ice machine easy to own and less expensive to operate.

**Performance** – NEO produces more ice than ever before while using less water and energy. The storage bin provides industry leading capacity.

**Intelligence** – NEO provides feedback with full bin and service indicators. Delay function allows you to pause your machine for slow periods or days when you're closed.

**Convenience** – NEO offers a forward-sliding storage bin for easy access to refrigeration components without having to move the entire ice machine. Smooth, sealed food-zone with removable water trough, distribution tube, and damper door for faster cleaning. AlphaSan added to key internal components.

Available **LuminIce<sup>®</sup> Growth Inhibitor** extends cleaning intervals by reducing yeast and bacteria growth keeping your ice machine cleaner, longer.



## Specifications

<p><b>BTU Per Hour:</b> 2,700 (average) 3,300 (peak)</p> <p><b>Compressor:</b> Nominal rating: .33 HP</p> <p><b>Cupra-Nickel Condenser:</b> (Water-cooled models) Adds protection from corrosive water elements.</p> <p><b>Refrigerant:</b> R-404A</p>	<p><b>Operating Limits:</b></p> <ul style="list-style-type: none"> <li>• Ambient Temperature Range: 40° to 110°F (4.4° to 43.3°C)</li> <li>• Water Temperature Range: 45° to 90°F (4.4° to 32.2°C)</li> <li>• Water Pressure Ice Maker Water In: Min. 20 psi (137.9 kPa) Max. 80 psi (551.1 kPa)</li> <li>• Condenser Inlet Water In: (Water-cooled only) Min. 20 psi (137.9 kPa) Max. 150 psi (1,034.2 kPa)</li> </ul>
--	---

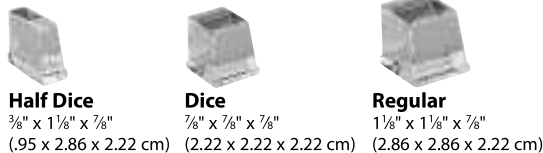
## Ice Machine Electric

**Power Cord:**  
115/60/1 ice machines are factory pre-wired with a 6' (180 cm) power cord and NEMA 5-15P-plug configuration. 208-230/60/1 ice machines are factory pre-wired with a 6' (180 cm) power cord only, no plug is supplied.

**Total Amps:**  
115/60/1 Air-cooled and Water-cooled: 7 amps  
208-230/1/60 Air-cooled and Water-cooled: 3.5 amps

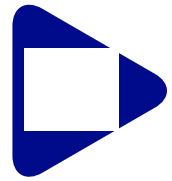
**Maximum fuse size:**  
Air-cooled and Water-cooled: 15 amps  
HACR-type circuit breakers can be used in place of fuses.

## Ice Shape

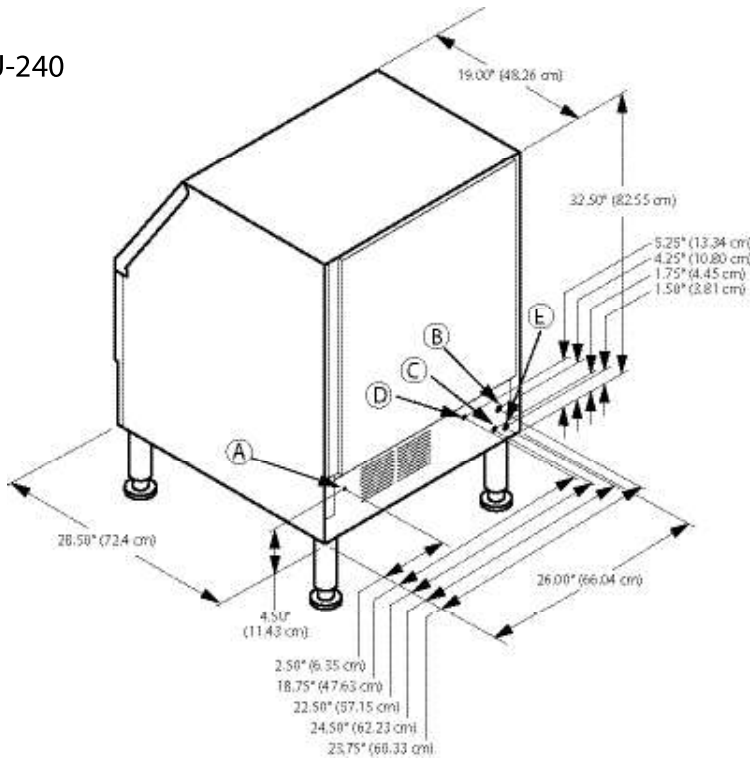


- Half Dice**  
3/8" x 1 1/8" x 7/8"  
(.95 x 2.86 x 2.22 cm)
- Dice**  
7/8" x 7/8" x 7/8"  
(2.22 x 2.22 x 2.22 cm)
- Regular**  
1 1/8" x 1 1/8" x 7/8"  
(2.86 x 2.86 x 2.22 cm)





**U-240**



**Installation Note** Recommended clearance for top, sides, back is 5" (12.7 cm) however, there is no minimum clearance required.

- (A) Electrical Entrance
- (B) 3/8" (0.95 cm) F.P.T. Ice Making Water Inlet
- (C) 1/2" (1.27 cm) F.P.T. Minimum Water Condenser Outlet (water-cooled units)
- (D) 3/8" (0.95 cm) F.P.T. Water Condenser Inlet (water-cooled units)
- (E) 1/2" (1.27 cm) F.P.T. Ice Bin Drain

**Specifications**

Model	Ice Shape	Ice Production 24 Hours				Power kWh/ 100 lbs. @ 90°/70°F 32°/21°C	Potable water usage gal/100 lbs. ice @90°/70°F
		70°Air/50°F Water 21°Air/10°C Water		90°Air/70°F Water 32°Air/21°C Water			
UDF-0240A	dice	215 lbs	98 kg	160 lbs	73 kg	7.9	16
UDF-0240W	dice	197 lbs	89 kg	174 lbs	79 kg	5.9	16
UYF-0240A	half-dice	219 lbs	99 kg	160 lbs	73 kg	7.8	16
UYF-0240W	half-dice	207 lbs	94 kg	180 lbs	82 kg	5.8	16

Water-cooled Condenser Water Usage / 100 lbs./45.4 kg of Ice: 147 gal. / 556 liters

Standard 6" / 15.24 cm adjustable flange foot - gray painted legs included.  
Standard plastic NEO ice scoop included.

**Air Flow**



Air in right, air out left, no side vents. Great for installation under countertops and next to other equipment.

**Removable Bin**



**Air Filter**



Simple, tool-free removal for quick access during routine cleaning and maintenance.

Welbilt reserves the right to make changes to the design or specifications without prior notice. ©2018 Maniowoc