



STAINLESS STEEL ICED TEA DISPENSERS

Project	Date	Models	Item#	Quantity
---------	------	--------	-------	----------

GTD3-DNT, GTD3-FOT,
GTD3-TP, GTD3-C



model GTD3-C



model GTD3-DNT



model GTD3-TP



model GTD3-FOT

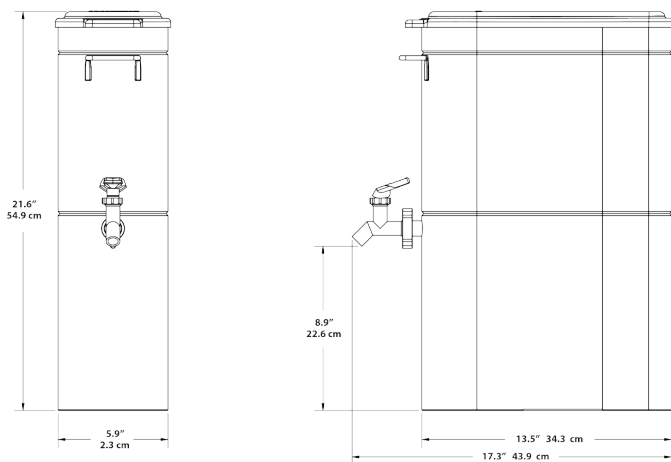
Features

- Enjoy the quality and dependability of these stainless steel iced tea dispensers.
- 3 gallon (11.35 L) capacity.
- Stainless steel construction and faucet connection.
- Built to last with laser welds and stainless steel handles.
- Completely passivated inside and out to ensure that the refreshing, crisp taste of your tea stays that way.
- Compact design fits in half the space of traditional tea urns.
- Fits most competitors' brewers.
- Tall faucet height for ease of use.
- No liner required.

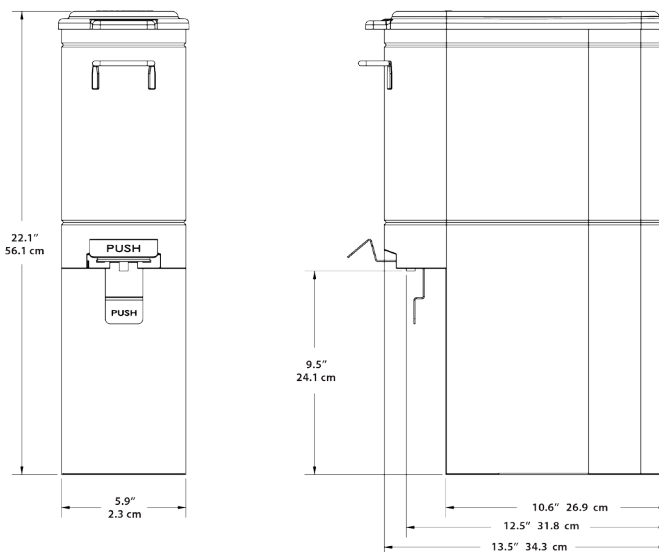


Models & Dimensions

Stainless Steel Iced Tea Dispensers



model GTD3-TP represented



model GTD3-C represented

Specifications

Model	Description	Product Dimensions (H x W X D)	Ship Dimensions (H x W X D)	Ship Weight
GTD3-DNT (6700-20001)	Tomlinson® down-facing valve.	22" x 5.9" x 13.5" (56 cm x 51 cm x 34 cm)	24.6" x 9.25" x 17.4" (62 cm x 23 cm x 44 cm)	12 lbs. (5.4 kg)
GTD3-FOT (6700-30000)	Tomlinson® front valve.	22" x 5.9" x 13.5" (56 cm x 51 cm x 34 cm)	24.1" x 9.25" x 17.4" (62 cm x 23 cm x 44 cm)	12 lbs. (5.4 kg)
GTD3-TP (6700-30001)	Tomlinson® front valve with pinch tube.	22" x 5.9" x 13.5" (56 cm x 51 cm x 34 cm)	24.1" x 9.25" x 17.4" (62 cm x 23 cm x 44 cm)	12 lbs. (5.4 kg)
GTD3-C (6700-40000)	Crathco® valve. Designed to allow for one-hand operation.	22" x 5.9" x 13.5" (56 cm x 51 cm x 34 cm)	24.6" x 9.25" x 17.4" (62 cm x 23 cm x 44 cm)	13 lbs. (5.9 kg)



Grindmaster-Cecilware™ 4003 Collins Lane, Louisville, KY 40245 USA

Tel: +1.502.425.4776 / 800.695.4500 (USA & Canada only) • Fax: +1.502.425.4664 • www.gmcw.com • Email: info@gmcw.com