

Project

Date

Models
K-Soft Gravity

Item#

Quantity



model K-Soft Gravity

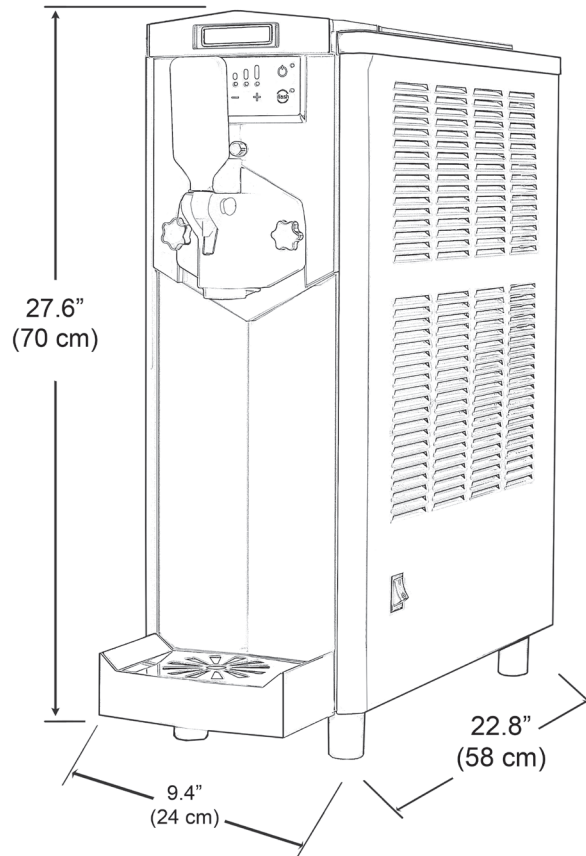
FEATURES

- Perfect for users who want to enter soft ice cream market without investing in industrial, oversized equipment.
- Compact counter-top unit, ideal for small spaces.
- Simple, practical, quiet, and reliable.
- Production capacity of 11 lbs. (5 kg) per hour.
- Excellent capacity: 0.92 gallon (3.5 L) in cooled upper tank, and 0.26 gallon (1 L) in freezing cylinder, for a total capacity of 1.2 gallon (4.5 L).
- Air cooling.
- Certified NSF-6 safe for milk.



K-SOFT SOFT ICE CREAM DISPENSERS

model K-Soft Gravity



NSF-6



MODELS & SPECIFICATIONS

Model	Description	Production Capacity	Electrical	Product Dimensions (H x W x D)	Ship Dimensions (H x W x D)	Product Weight	Ship Weight
K-Soft Gravity (1208-000)	0.92 gallon (3.5 L) capacity in cooled upper tank, 0.26 gallon (1 L) capacity in freezing cylinder, 1.2 gallon (4.5 L) total capacity	11 lbs. (5 kg) per hour	115V / 60 Hz 0.9 kW / 9.2 A 1 Ph	27.6" x 9.4" x 22.8" (70 cm x 24 cm x 58 cm)	30" x 12" x 25" (76 cm x 30 cm x 64 cm)	121 lbs. (55 kg)	130 lbs. (59 kg)

Refrigeration: R404

Note: Operate at room temperature between 75 - 90° F (24 and 32° C)

Note: Clearance of 10" (25 cm) required on left side to allow for collection drawer removal, all other sides require clearance of 8" (20 cm).