

Project

Date

Models

GT Push 1

GT Push 2

Item#

Quantity



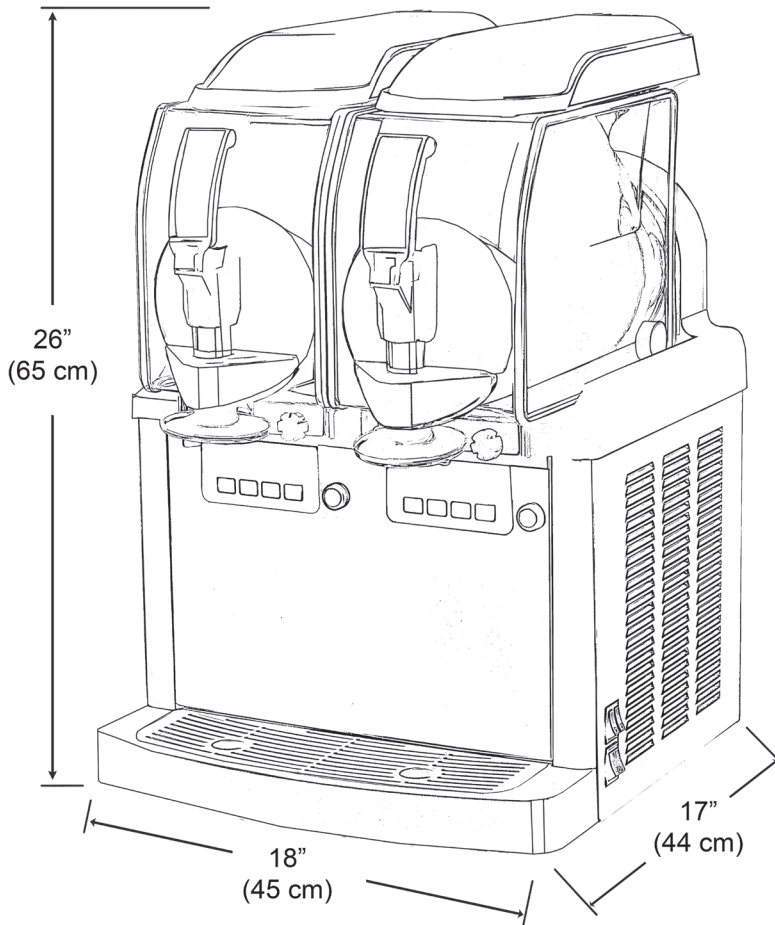
model GT Push 2

FEATURES

- Functions with water or milk added to dried base or with ready-to-use mixed product bases to create delicious chilled specialties.
- Ideal for the production and dispense of soft ice-cream, frozen yogurt, slushes, smoothies, and sherbet.
- One or two, 1.3 gallon (5 L) bowls.
- A compact counter machine with elegant design reliably delivers perfect consistency.
- Easy to clean and user-friendly.
- Transparent bowl encourages impulse purchasing.
- Lockable lid.
- Efficient safety mechanism is activated when cover is lifted. All moving parts automatically and immediately stop.
- LED-based electronic keypad.
- When the product is ready, just press the push button; this will increase the motor speed, allowing it to quickly extract the product.
- All models are certified NSF-6 safe for milk.



GT PUSH FROZEN GRANITA AND ICE CREAM DISPENSERS



model GT Push 2

NSF-6



Intertek



Intertek

MODELS & SPECIFICATIONS

| Model | Description | Electrical | Product Dimensions (H x W x D) | Ship Dimensions (H x W x D) | Product Weight | Ship Weight |
|--------------------------------|--|---|--|--|---------------------|---------------------|
| GT Push 1 (1206-012) | (1) 1.3 gallon (5 L) insulated tank, white finish | 115V / 60 Hz 0.35 kW 4.1 A / 1 Ph | 26" x 10" x 17" (65 cm x 26 cm x 43 cm) | 30" x 12" x 20" (75 cm x 33 cm x 50 cm) | 62 lbs. (28 kg) | 73 lbs. (33 kg) |
| GT Push 2 (1206-013) | (2) 1.3 gallon (5 L) insulated tanks, 2.6 gallon (10 L) total capacity, white finish | 115V / 60 Hz 0.75 kW 7.7 A / 1 Ph | 26" x 18" x 17" (65 cm x 45 cm x 44 cm) | 30" x 18" x 18" (75 cm x 45 cm x 46 cm) | 101 lbs. (46 kg) | 117 lbs. (53 kg) |

Refrigeration: R404

Note: Operate at room temperature between 75 - 90° F (24 and 32° C)