

Project

Date

Models

ACE
ST Solo
ST Duo
ACE L/C Milk
STP Solo Milk
STP Duo Milk

Item #

Quantity



model ACE

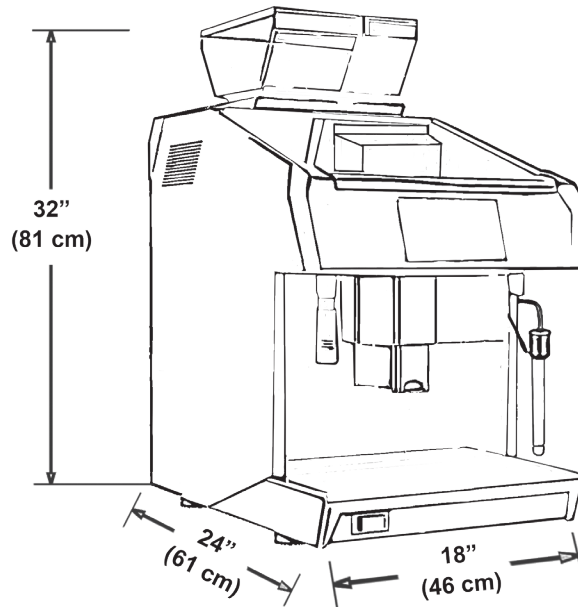
FEATURES

- Super automatic espresso makers with automated steam and foaming wand for building milk drinks.
- The touch screen for each model accesses unlimited customizable icon keys for up to 48 recipes per touch screen interface.
- 2 bean hoppers: 3.75 lbs. (1.7 kg) and 2.6 lbs. (1.2 kg) with low beans warning option.
- Hopper stoppers for each hopper, allows for easy removal of hoppers.
- 1.66 gallon (6.3 L) boiler size.
- 2 precision grinders with 64 mm and 80 mm Mahlkonig burrs.
- Integrated SteamAir wand with auto milk foamer and programmable temperature control.
- Adaptable for various coffee profiles and exceptional extraction quality obtained through full control of 8 infusion parameters: 2 grinders; temperature; tamping; 2 pre-infusion methods; weight of coffee; volume of water.
- Temperature regulation for group.



TANGO SUPER AUTO ESPRESSO

model ACE
represented



MODELS & SPECIFICATIONS

Model	Description	Cups per Hour	Electrical	Product Dimensions (H x W x D)	Ship Dimensions (H x W x D)	Ship Weight
ACE¹ (1011-001)	Two-step brewer with (2) coffee bean hoppers	240	240V / 7 kW 60Hz / 29A / 1 Ph	32" X 18" X 24" (81 cm x 46 cm x 61 cm)	33" X 44" X 30" (84 cm x 112 cm x 76 cm)	220 lbs. (100 kg)
ST Solo¹ (1011-002)	Two-step brewer with (2) coffee bean hoppers	240	240V / 7 kW 60Hz / 29A / 1 Ph	32" X 18" X 24" (81 cm x 46 cm x 61 cm)	33" X 44" X 30" (84 cm x 112 cm x 76 cm)	220 lbs. (100 kg)
ST Duo² (1011-003)	Two-group, two-step with dual brewers and (2) coffee bean hoppers	400	240V / 7 kW 60Hz / 50A / 1 Ph	32" X 24" X 24" (81 cm x 61 cm x 61 cm)	33" X 44" X 30" (84 cm x 112 cm x 76 cm)	290 lbs. (132 kg)
ACE L/C Milk^{1,3} (1011-004)	One-step brewer with (2) coffee bean hoppers	240	240V / 7 kW 60Hz / 29A / 1 Ph	with refrigerator: 32" X 27" X 24" (81 cm x 69 cm x 61 cm)	33" X 44" X 30" (84 cm x 112 cm x 76 cm)	220 lbs. (100 kg)
STP Solo Milk^{1,4} (1011-005)	One-group, one-step with (2) coffee bean hoppers and one-gallon pump fridge	240	Brewer: 230V / 5.6 kW 30A / 1 Ph Fridge: 120V / 15A / 1 Ph	32" X 29" X 24" (81 cm x 74 cm x 61 cm)	33" X 44" X 30" (84 cm x 112 cm x 76 cm)	245 lbs. (111 kg)
STP Duo Milk^{2,4} (1011-006)	Two-group, one-step with dual brewers, (2) coffee bean hoppers and one-gallon pump fridge	400	Brewer: 230V / 8 kW 50A / 1 Ph Fridge: 120V / 15A / 1 Ph	32" X 35" X 24" (81 cm x 89 cm x 61 cm)	33" X 44" X 30" (84 cm x 112 cm x 76 cm)	315 lbs. (143 kg)

¹ **Electrical:** Line cord included with no plug. Suggested plug: L6-30P.

² **Electrical:** Line cord included with no plug. Suggested plug: L6-50P.

³ **Note:** One-gallon MiniFridge (250-00017) sold separately. See options.

⁴ **Electrical:** NEMA 5-15P line cord included for all refrigerators.

OPTIONS

MiniFridge (250-00017) - One-gallon refrigerator for ACE L/C Milk