

Venezia II™ Series HC-600 Espresso Grinder-Doser

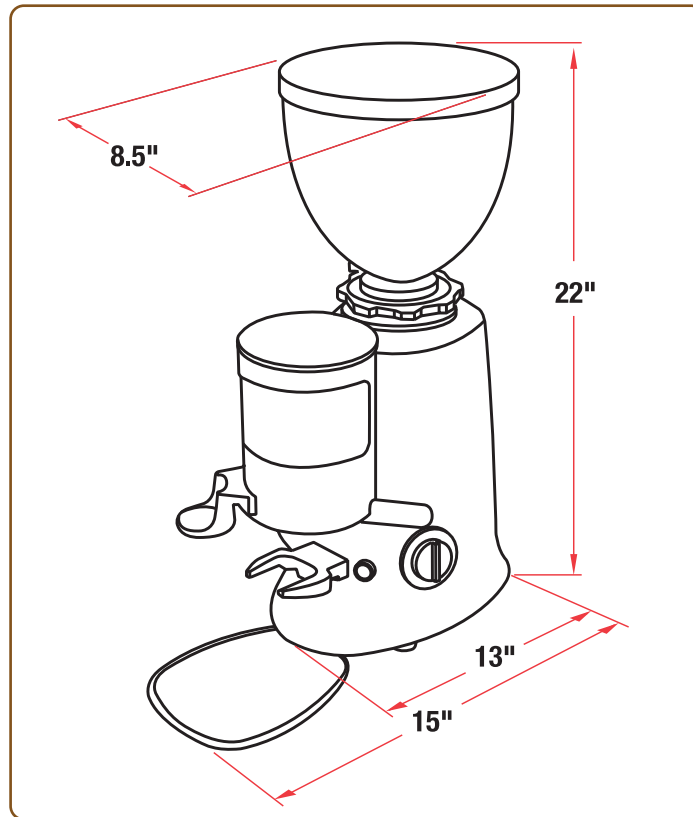


Model HC-600

Features

- **Micro “Grind Control” Adjustment** – An exclusive adjustment system that gives the operator infinite control over grind settings. No preset “clicks” for grind settings.
- **Semi-Automatic** – The timer controls the amount of ground coffee to the Doser and automatically switches off the grinder when the preset time is over.
- **Cast Aluminum Frame** – Insures perfect grind head alignment.
- **Built In Timer** – The grinder comes with a 5 minute timer.
- **Classic Upscale Design** – Perfect for coffee shops, espresso bars, hotels, and restaurants.
- **Doser** – Quickly and easily fills your espresso machine’s Portafilter (group handle).

HC-600 Venezia II™ Series HC-600 Espresso Grinder-Doser



Specifications



Model	Description	HP	Ground Espresso Container Capacity	Dimensions (H x W x D)	Electrical	Ship Weight
HC-600	Espresso grinder with manual timer. Grinding blades: 2.5" (6.4 cm) dia. Grinding speed: 1550 rpm	1/2	.6 lbs. (.3 kg)	22" x 8.5" x 15" (56 cm x 22 cm x 38 cm)	120V, 350W, 3A	31 lbs. (14 kg)

Electrical: Line cord included, Nema plug 5-15P. **Espresso Bean Container Capacity:** 3 lbs. (1.4 kg). **Dose Adjustment:** 5.5 g - 9 g
Contact Grindmaster-Cecilware™ for more information. Specifications subject to change without notice.

