

800 SERIES GRINDERS

Item#

Project

Date

Models: Copy

Slimline Coffee Grinders



Model 835

Model 875

Model 810

Features

In-store consumer coffee grinding has never been better than with our slimline 800 Series coffee grinders. Grindmaster offers a powerful and efficient unit in a compact space-saving size. These machines are ideal for both small and large stores where space is a premium.

All 800 Series Grinders Feature:

- **Compact Space Saving Size** – Only 7" wide
- **Powerful Motor** with circuit breaker
- **"User friendly" features**
- **Unique, contemporary style** – complements any decor
- **Custom color and graphics** – Available on quantity orders (ask for details!)
- **Easy-to-Follow Instructions**

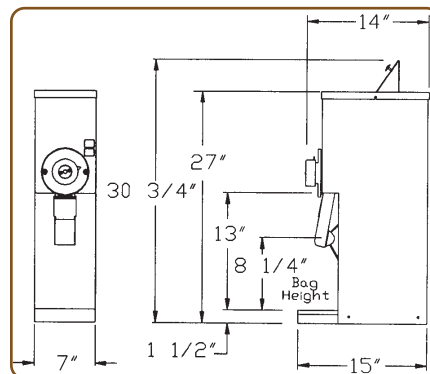
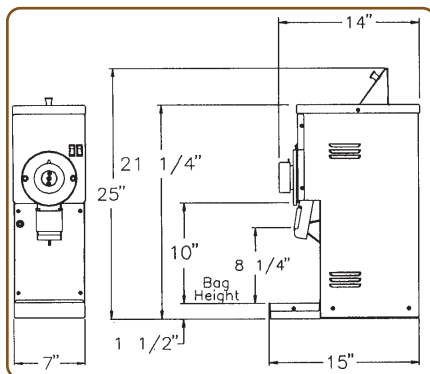
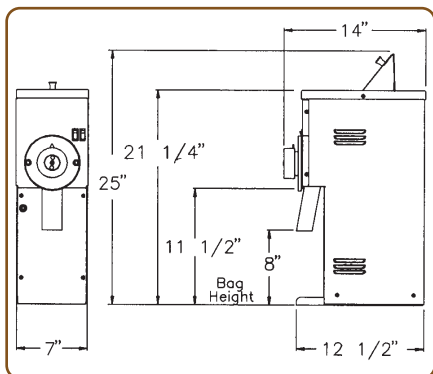


Models & Dimensions

810 / 810A available in Bold Black

835 available in Bold Black or Cardinal Red

875 available in Bold Black or Cardinal Red



810 & 810A Features

- Medium duty, economically priced grinder
- Manual On/Off switches
- Espresso to percolator grind selection
- Compact size
- Bifold lid
- Available in stylish black finish
- 810A - Automatic Shut-off
- Ideal for low to medium volume specialty shops, grocery stores, donut shops and c-stores.
- Grind types: Espresso, Fine, Auto Drip, Drip, Percolator

835 & 875 Features

- Turkish to coarse grind selection
- Fast grind time
- Steep slope hopper promotes positive bean flow
- Bifold lid
- Separate start/stop push buttons
- Positive action bag switch
- Precision Burrs
- Stainless steel tidy tray with pull out drawer
- Attractive stainless steel front panel
- Choose from Bold Black or Cardinal Red
- Ideal for all self-service applications, including grocery stores and specialty shops
- Grind types: Turkish, Espresso, Fine, Auto Drip, Drip, Percolator, Coarse

Specifications



Model	Electrical	Motor	Hopper Capacity	Bag Height	Dimensions (H x W x D)	Ship Dimensions (H x W x D)	Ship Weight
810	115V AC, 60 Hz, 8 Amps	Heavy-Duty, 1/3 HP	1.5 lbs. whole bean coffee	Min: 8" Max: 11.5"	21-1/4" x 7" x 12-1/2" (Height is 25" with lid open)	26-3/4" x 18-1/2" x 12-1/2"	42 lbs. (19 kg)
810A	115V AC, 60 Hz, 8 Amps	Heavy-Duty, 1/3 HP	1.5 lbs. whole bean coffee	Min: 8" Max: 11.5"	21-1/4" x 7" x 12-1/2" (Height is 25" with lid open)	26-3/4" x 18-1/2" x 12-1/2"	42 lbs. (19 kg)
835	115V AC, 60 Hz, 8 Amps	Heavy-Duty, 1/2 HP	1.5 lbs. whole bean coffee	Min: 8.25" Max: 10"	21-1/4" x 7" x 15" (Height is 25" with lid open)	26-3/4" x 18-1/2" x 12-1/2"	46 lbs. (21 kg)
875	115V AC, 60 Hz, 8 Amps	Heavy-Duty, 1/2 HP	3.0 lbs. whole bean coffee	Min: 8.25" Max: 13"	27" x 7" x 15" (Height is 30-3/4" with lid open)	33-1/2" x 18-3/4" x 12-1/2"	53 lbs. (24 kg)

Electrical: Line cord included, Nema plug 5-15P.

Contact Grindmaster-Cecilware™ for more information. Specifications subject to change without notice.



GRINDMASTER-CECILWARE™ 4003 Collins Lane, Louisville, KY 40245 USA

Tel: +1.502.425.4776 / 800.695.4500 (USA & Canada only) • Fax: +1.502.425.4664 • www.grindmaster.com • Email: info@grindmaster.com