



# 100 SERIES GRINDERS

Item#

Project

Date

Models: 100

## Model 100 Portion Control Coffee Grinder



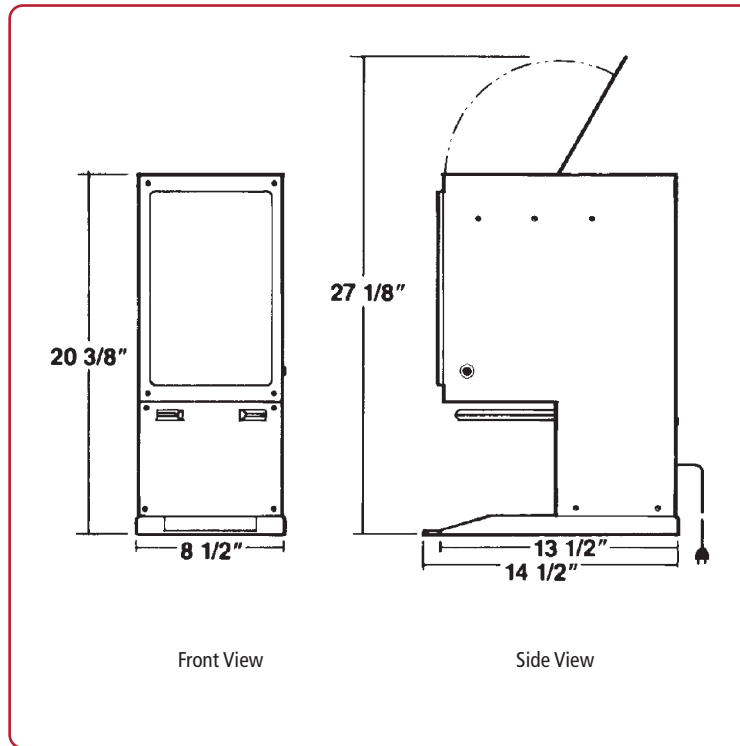
Model 100

## Features

- Excellent bean visibility
- Adjustable range of grind settings
- Exclusive, long lasting granulating-style burrs assure highly accurate & consistent throws
- Economical, dependable grinders
- Powerful, energy efficient 1/2 HP motor
- Solid-state, concealed, dual range timer
- Circuit breaker with manual reset button
- Troubleshooting guide decals with toll-free phone number affixed to the back of each grinder
- Years of proven performance & reliability
- Exceptional warranty program: Burrs - 4 years, all other components - 1 year

# Models & Dimensions

**Model100**      Single portion grinder. 6 lbs. (2.7kg) hopper



## Specifications

Model	Description	Ship Dimensions (H x W x D)	Electrical	Ship Weight
100	Single portion grinder. 6 lbs. (2.7kg) hopper.	26.5" x 12.5" x 18.5" (67cm x 32 cm x 47 cm)	115V, 920W, 8A	46 lbs. (20.9 kg)

**Hoppers:** # of hoppers per bowl = 1. **Hopper or bowl size:** 6 lbs. (2.7kg) whole bean coffee. **Grind range:** .5 - 27 oz. (14-756g). **Grind time:** 4.75 sec., 2 oz. (56g) on auto drip. Contact Grindmaster-Cecilware™ for more information. Specifications subject to improvement or change without notice.

