

RC400 SINGLE SERVE BREWER

Project Date Models **RC400** Item# Quantity



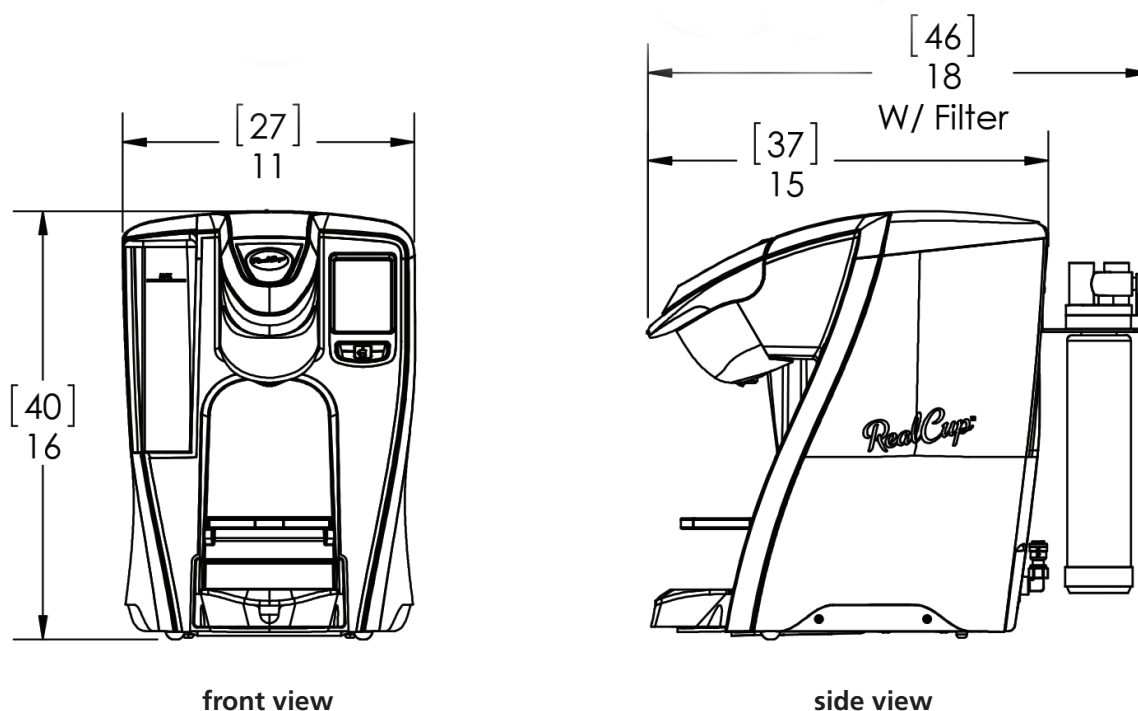
model RC400

Features

- Compatible for use with RealCup™ and K-Cup® single serve capsules.
- Pulse brew and pre-infusion optimized for coffee, tea, and cocoa.
- Large touchscreen and easy-to-use one-touch controls.
- Faster brew with no lag time, starting the moment the brew button is pressed.
- Patent-pending brew chamber ensures even water distribution for full flavor every time.
- 4 - 16 oz. (118 - 473 ml) brew sizes with an adjustable platform for oversized travel mugs.
- Plumbed in and pour-over capable right out of the box.
- More operator settings, including resettable brew counter and customizable default options.
- Commercial grade parts ensure a long life in heavy-usage locations.
- Repairable machine with access to replacement parts.
- Added safety with locking brew chamber.
- Energy save mode engages at a programmed time of day, or when brewer has been inactive.

Models & Dimensions

RC400 Single Serve Brewer



measurements in inches [cm]

Specifications

Model	Cold Water Reservoir	Beverage Size Options*	Number of Heaters	Electrical	Product Dimensions (H x W X D)	Ship Dimensions (H x W X D)	Ship Weight
RC400 (0001-10000)	72 oz. (2.13 L)	4 oz. (118 ml) 6 oz. (177 ml) 8 oz. (237 ml) 10 oz. (296 ml) 12 oz. (355 ml) 16 oz. (473 ml)	1	120V / 1550W 13A / 1 Ph	15.7" x 10.8" x 14.8" (40 cm x 28 cm x 38 cm)	19.5" x 14.4" x 18.5" (50 cm x 37 cm x 47 cm)	18.7 lbs. (8.5 kg)

*Actual dispensed volume is approximately 10% less to allow for addition of milk, cream, or sweetener if desired.

Plumbing: Water pressures from 10-100 psi required.

Note: RealCup™ brand has no affiliation with K-Cup® or Keurig Inc. Keurig® and K-Cup® are registered trademarks of Keurig Inc.

