

Project

Date

Models

**PBC-1V**  
**PBC-2V**  
**PBC-1VS**  
**PBC-2VS**

Item#

Quantity



model PBC-1V  
vacuum Shuttles and graphics sold separately



model PBC-2VS  
vacuum Shuttles and graphics sold separately

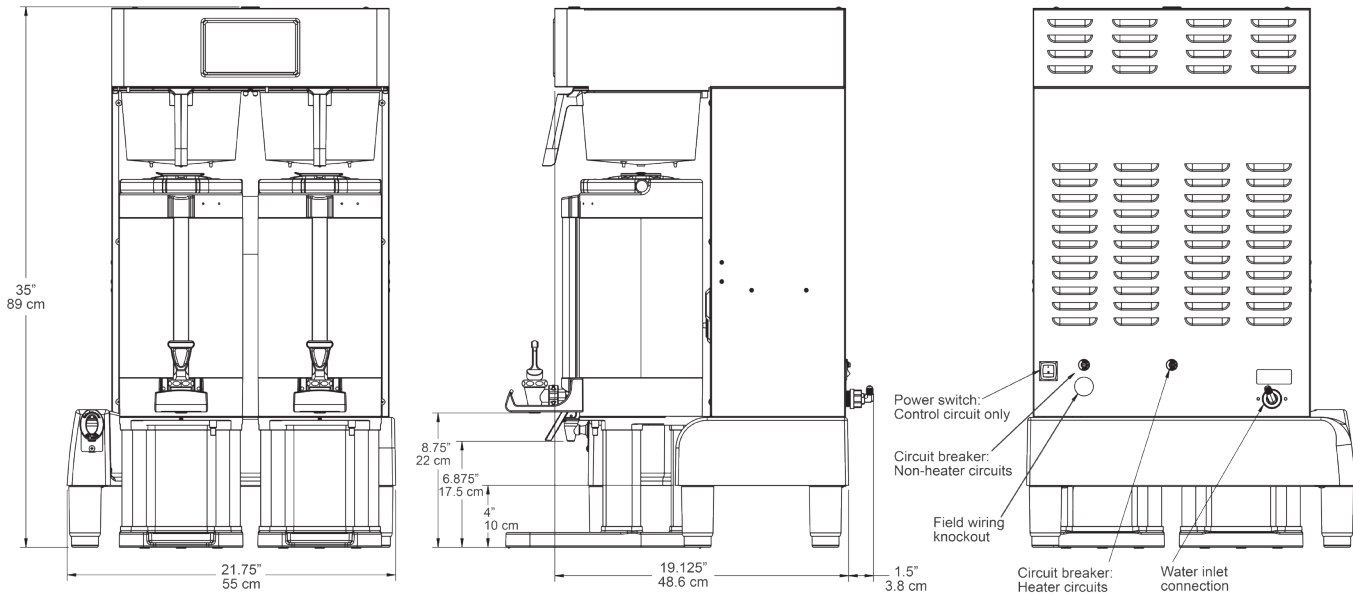
## FEATURES

- Single and twin models brew into 1.5 gallon (5.7 L) vacuum Shuttle(s). Available with or without stand.
- Digitally controlled with PrecisionBrew Technology.
- Brews to the Golden Cup Standard as defined by the Specialty Coffee Association for the highest quality brew possible.
- Three independent brew volumes let you be prepared for a busy morning rush and eliminate waste during slower sales periods.
- With the twin model, you can have two different coffee brews in side-by-side dispensers and expand your beverage offerings.
- Advanced touchscreen digital interface simplifies and streamlines brewing and operation.
- Eliminate the need for troubleshooting and unnecessary service calls with the self-diagnostics alerts on the touch display.
- Minimal training with icon-driven programming.
- Shuttle sensors prevent brewing when server is not in place or is not aligned properly, and the brew basket is locked into place and cannot be removed before the completion of a brew cycle.
- 3.2 gallon (12.1L) heating tank per brew head.





# PRECISIONBREW® VACUUM SHUTTLE® BREWERS



model PBC- 2VS represented

## MODELS & SPECIFICATIONS

Model	Description	Brew Volumes	Electrical	Product Dimensions (H x W X D)	Shipping Dimensions (H x W X D)	Ship Weight
<b>PBC-1V</b> (1004-005)	Single digitally controlled brewer, for use with vacuum shuttle without stand	0.5, 1.0, 1.5 gal (1.9, 3.8, 5.7 L)	240V / 7.0 kW 60Hz / 1 Ph	33.56" x 9.13" x 19.13" (84 cm x 23 cm x 49 cm)	34.88" x 14.13" x 25.75" (89 cm x 36 cm x 65 cm)	55 lbs. (24.9 kg)
<b>PBC-2V</b> (1004-006)	Twin digitally controlled brewer, for use with vacuum shuttle without stands	0.5, 1.0, 1.5 gal (1.9, 3.8, 5.7 L)	240V / 7.0 kW 60Hz / 1 Ph	33.56" x 18.13" x 19.13" (84 cm x 46 cm x 49 cm)	34.88" x 23.13" x 25.75" (89 cm x 59 cm x 65 cm)	85 lbs. (38.6 kg)
<b>PBC-1VS</b> (1004-007)	Single digitally controlled brewer, for use with vacuum shuttle with stand	0.5, 1.0, 1.5 gal (1.9, 3.8, 5.7 L)	240V / 7.0 kW 60Hz / 1 Ph	35" x 12.3" x 19.13" (89 cm x 31 cm x 49 cm)	35.88" x 17.13" x 25.75" (91 cm x 44 cm x 65 cm)	60 lbs. (27.2 kg)
<b>PBC-2VS</b> (1004-008)	Twin digitally controlled brewer, for use with vacuum shuttle with stands	0.5, 1.0, 1.5 gal (1.9, 3.8, 5.7 L)	240V / 7.0 kW 60Hz / 1 Ph	35" x 21.75" x 19.13" (89 cm x 31 cm x 49 cm)	35.88" x 26.13" x 25.75" (91 cm x 66 cm x 65 cm)	90 lbs. (40.8 kg)

**Plumbing:** 0.25" (0.64 cm) flare water line at 30-80 psi required.

### OPTIONS

**Vacuum Shuttle with Stand** (2503-002) - 1.5 gal. (5.7 L) Shuttle  
**Vacuum Shuttle without Stand** (2503-001) - 1.5 gal. (5.7 L) Shuttle  
**Graphics for Vacuum Shuttle** (380-00327)