

Project

Date

Models  
**PBC-1A**  
**PBC-2A**

Item#

Quantity



model PBC-1A  
 air-heated Shuttles and graphics sold separately



model PBC-2A  
 air-heated Shuttles and graphics sold separately

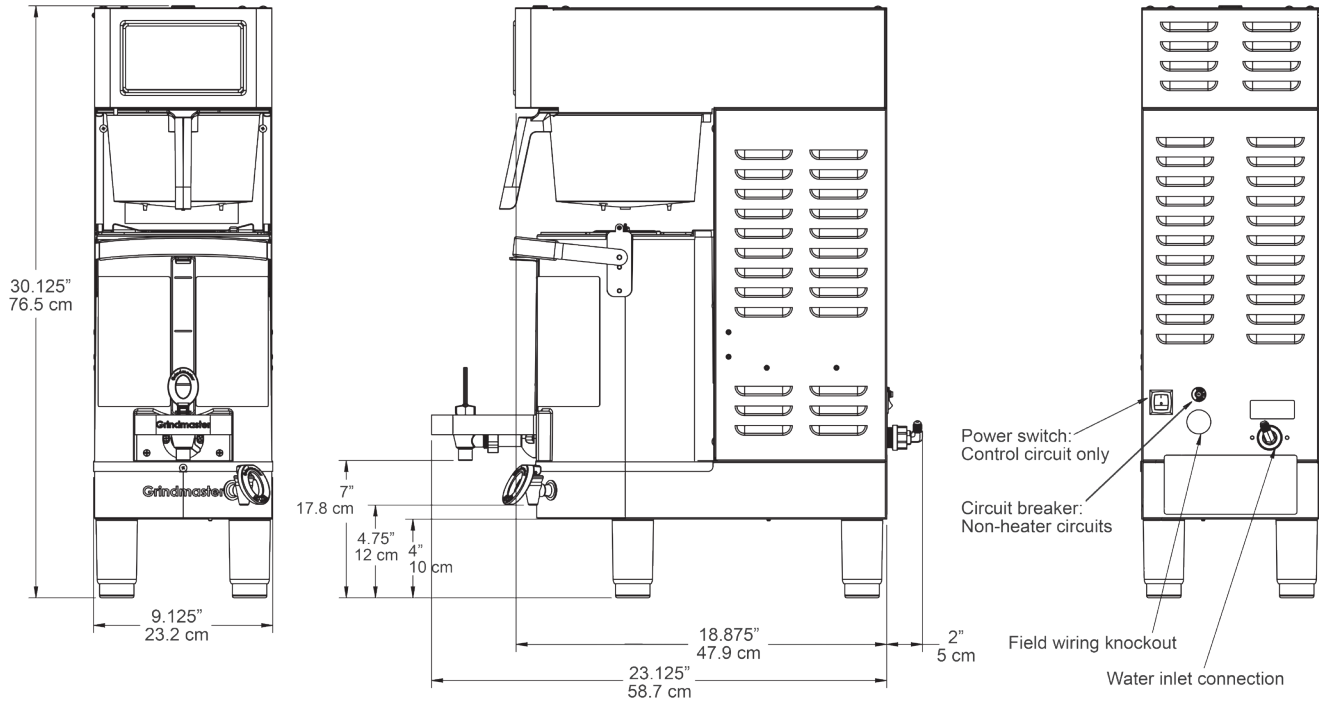
## FEATURES

- Single and twin digital virtual sight glass models brew into 1.5 gallon (5.7 L) air-heated Shuttle(s).
- Brews to the Golden Cup Standard as defined by the Specialty Coffee Association for the highest quality brew possible.
- Three independent brew volumes let you be prepared for a busy morning rush and eliminate waste during slower sales periods.
- Portable Encapsulair Shuttles insulate with air between the internal chambers, maintaining coffee temperature and flavor.
- 3.2 gallon (12.1 L) heating tank per brew head.
- Java-tate technology inside the shuttles gently stirs the brewed coffee keeping the drink perfectly blended, and ensuring a consistent flavor profile from the first cup to the very last.
- Advanced touchscreen digital interface simplifies and streamlines brewing and operation.
- The backlit, internal sight glass in the Encapsulair shuttle provides an LED readiness and freshness indicator for the brew. The color changing light lets you know at a glance when the brew is complete, and when it is time to make more coffee.





# PRECISIONBREW® AIR-HEATED SHUTTLE® BREWERS



model PBC-1A represented



## MODELS & SPECIFICATIONS

Model	Description	Brew Volumes	Electrical	Product Dimensions (H x W x D)	Shipping Dimensions (H x W x D)	Ship Weight
<b>PBC-1A</b> (1004-001)	Single digital controlled brewer with virtual sight glass	0.5, 1.0, 1.5 gal (1.9, 3.8, 5.7 L)	240V 7.0 kW 60Hz 1 Ph	30.13" x 9.13" x 18.88" (77 cm x 23 cm x 50 cm)	30.88" x 14.13" x 25.75" (78 cm x 36 cm x 65 cm)	50 lbs. (22.7 kg)
<b>PBC-2A</b> (1004-003)	Twin digital controlled brewer with virtual sight glass	0.5, 1.0, 1.5 gal (1.9, 3.8, 5.7 L)	240V 7.0 kW 60Hz 1 Ph	30.13" x 18.13" x 18.88" (77 cm x 46 cm x 50 cm)	30.88" x 23.13" x 25.75" (78 cm x 59 cm x 65 cm)	80 lbs. (36.3 kg)

**Plumbing:** 0.25" (0.64 cm) flare water line at 30-80 psi required.

### OPTIONS

**Air-heated Shuttle** (2503-006) - 1.5 gal. (5.7 L) Shuttle

**Air-heated Shuttle Stand** (1502-004) - 120V / 0.13kW / 60 Hz / 1 Ph. NEMA 5-15P line cord included.

**Graphics for Air-heated Shuttle** (380-00335)