

PRECISIONBREW™ AIRPOT BREWER

Item#

Project

Date

Models: B-SAP



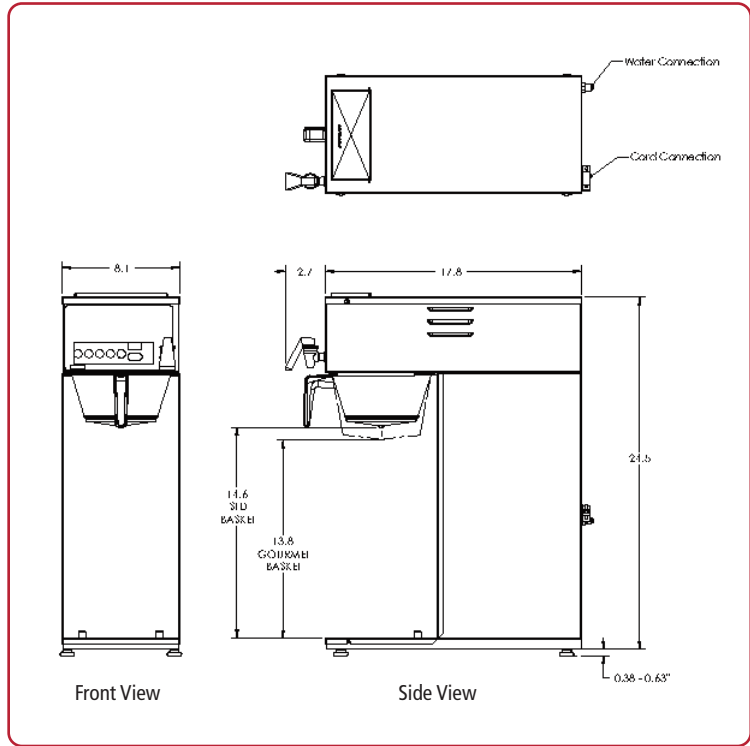
Model B-SAP
(Airpots sold separately)

Features

- Model B-SAP is a single, digitally controlled brewer that brews into a 1.9L (64oz.) up to 2.5L (85oz) Airpot (Airpot sold separately).
- The Airpots hold freshly brewed coffee for hours without additional heat.
- Precise Brew Temperature - The brewer will hold the brew temperature to +/- 1°F during the complete brew cycle.
- Brew Volume - Can be set by 'teach' mode to eliminate trial-and-error set-up.
- Pulse brewing/pre-infusion - Allows the brew sequence to extract up to 20% more dissolved solids per batch of coffee. Programmable: number of pulses, pulse-on time and pulse-off time. Changing the pulse sequence does not affect the brew volume.
- Low Temp/No Brew - Allows the brew cycle to begin only when the water has reached the optimum brew temperature.
- Cycle Counter - The brewer counts the total number of brew cycles.
- Programming Lock-Out - The brewer settings can be "locked" to prevent tampering.
- Pour-Over Capability - Automatically converts to pour-over mode when the inlet valve does not sense water. Also capable of being manually set to pour-over mode through the front.
- Dual Voltage with toggle switch models are available to accept 120/240V or 120V supply.
- Gourmet brew basket (pn 71431) available as an option.
- Warranty - 2 years parts and labor on the brewer. 3 years part warranty on the control board.

Models & Dimensions

B-SAP Single, Digitally Controlled 2.2L Airpot Brewer



NEMA 5-15R
120V Models Only*

Specifications

Model	Description	Dimensions (H x W x D)	Ship Dimensions (H x W x D)	Electrical	Ship Weight
B-SAP	Single, digitally controlled 2.2L airpot brewer.	25" x 8.25" x 17.75" (64 cm x 20 cm x 46 cm)	28" x 13" x 24" (69 cm x 31 cm x 61 cm)	120V, 1780W, 14.9A 120/240V, 3500W, 14.6A 120/208V, 2630W, 12.7A	37 lbs. (17 kg)

Plumbing: 1/4" (6.35 mm) flare water line at 30 - 80 psi required. **Electrical:** *Line cord & Nema 5-15P plug included with 120V models only. Export voltage available (E models) **Brew Capacity:** (# of 2.2 liter airpots per hour) (8) at 120V; (16) at 240V; (12) at 208V. **Note:** Airpots sold separately. Contact Grindmaster-Cecilware™ for more information. Specifications subject to improvement or change without notice.

