

# CLASSIC BUBBLERS™ SINGLE BOWL

---

Project	Date	Models	Item#	Quantity
---------	------	--------	-------	----------

D15-3, D15-4, D155-3, D155-4,  
D156-3, D156-4



model D15-3

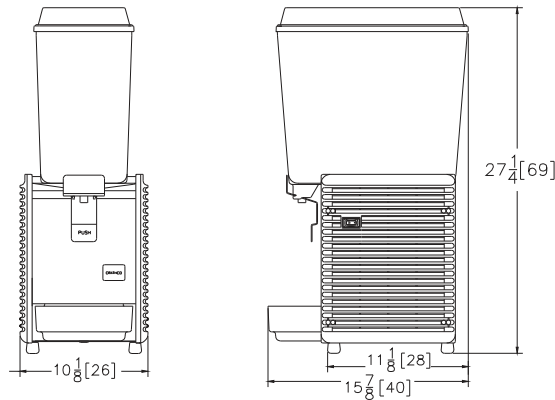
---

## Features

- Pre-mix dispenser with large 5 gallon (18.9 L) bowl with easy to read measuring marks.
- Two-piece, stainless steel, dripless pouring valve is sanitary and easy to use and maintain.
- Better design and more stainless steel allow easier cleaning and less maintenance.
- Unique evaporator and high efficiency pump cools faster and more efficiently for quick start-up.
- Superior engineering allows full beverage cooling right down to the last drink.
- 1/6 hp refrigeration.
- Super-strong, virtually unbreakable polycarbonate bowls and covers give lasting durability.
- Agitators are included with each unit for fresh juices, coffees, or teas.
- Cup height 8.25" (20.5 cm).

# Models & Dimensions

## Classic Bubblers™ Single Bowl



model D15 represented  
measurements in inches [cm]

## Specifications

Model	Description	Electrical	Product Dimensions (H x W X D)	Ship Dimensions (H x W X D)	Ship Weight
<b>D15-3</b> Base: (5619) Bowl: (5111)	Stainless steel side panels and drip tray <b>UL, NSF, CUL Certification</b>	120V / 340W / 3A 1 Ph	27.25" x 10 1/8" x 15 7/8" (69 cm x 26 cm x 40 cm)	Base: 15.5" x 13.5" x 13.5" (39 cm x 34 cm x 34 cm) Bowl: 8.5" x 14" x 15.5" (22 cm x 36 cm x 39 cm)	Total: 46 lbs (20.4 kg) Base: 37 lbs (16.8 kg) Bowl: 9 lbs (4.1 kg)
<b>D15-4</b> Base: (5620) Bowl: (5121)	Plastic side panels and drip tray <b>UL, NSF, CUL Certification</b>	120V / 340W / 3A 1 Ph	27.25" x 10 1/8" x 15 7/8" (69 cm x 26 cm x 40 cm)	Base: 15.5" x 13.5" x 13.5" (39 cm x 34 cm x 34 cm) Bowl: 8.5" x 14" x 15.5" (22 cm x 36 cm x 39 cm)	Total: 46 lbs (20.4 kg) Base: 37 lbs (16.8 kg) Bowl: 9 lbs (4.1 kg)
<b>D155*</b>	<b>NSF, CE Certification</b>	230V / 50Hz / 2A	27.25" x 10 1/8" x 15 7/8" (69 cm x 26 cm x 40 cm)	Base: 15.5" x 13.5" x 13.5" (39 cm x 34 cm x 34 cm) Bowl: 8.5" x 14" x 15.5" (22 cm x 36 cm x 39 cm)	Total: 46 lbs (20.4 kg) Base: 37 lbs (16.8 kg) Bowl: 9 lbs (4.1 kg)
<b>D156**</b>	<b>NSF, CE Certification</b>	230V / 60Hz / 2A	27.25" x 10 1/8" x 15 7/8" (69 cm x 26 cm x 40 cm)	Base: 15.5" x 13.5" x 13.5" (39 cm x 34 cm x 34 cm) Bowl: 8.5" x 14" x 15.5" (22 cm x 36 cm x 39 cm)	Total: 46 lbs (20.4 kg) Base: 37 lbs (16.8 kg) Bowl: 9 lbs (4.1 kg)

\* (D155-3) = Stainless steel side panels and drip tray (D155-4) = Plastic side panels and drip tray  
 \*\* (D156-3) = Stainless steel side panels and drip tray (D156-4) = Plastic side panels and drip tray  
 Refrigerant: 134A

### Options

**Valve Cap (2039)** - Improves sealing of valve when using pulpy product

**Valve Locking Box (2502)** - Secures the valve from dispensing during off-hours - not to be used with non-contact handle

**Liquid Auto Fill (90295)** - Ensures proper product and mixing consistency, eliminates need for frequent manual mixing

**Shipboard Kit (5925)** - Makes unit safer for installation aboard marine vessel; only available for use with agitator

**Milk Fat Impellers (1161M Lg Blue or 1008M Sm Red)** - Use with milk-based products, and/or products with heavy pulp

**Condensation Cover (3657)** - Direct and conceal condensation in high humidity or outdoor locations

**Security Kit (2509)** - Use with D15 models

