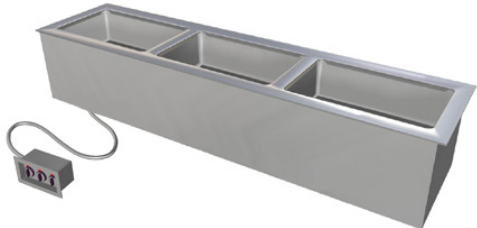




Your Solutions Partner

# Specifications

F.O.B Sedalia, Missouri 65301



ADI-3ESL-SW

### OPTIONS:

- 3 phase wiring (except **ADI-1ESL-SW**)
- Individual valves
- Mainifold drains
- Master valve
- Designer Foodshields
- Telescope covers
- Adapter Plates
- Adapter Bars

### AGENCY LISTING:



**DUKE MANUFACTURING CO.**  
**2305 N. Broadway**  
**St. Louis, MO 63102**

**800.735.3853 Toll Free**  
**314.231.5074 Fax**  
**www.dukemfg.com**

## Approval Stamp(s):

### PRODUCT INFORMATION:

PROJECT: \_\_\_\_\_

ITEM: \_\_\_\_\_

QUANTITY: \_\_\_\_\_

MODEL:

### Drop-Ins- Slimline

### Hot Food - Electric - Sealed Well

- ADI-1ESL-SW** 24 1/4"L x 17 1/4"W x 12 3/4"H
- ADI-2ESL-SW** 46 1/4"L x 17 1/4"W x 12 3/4"H
- ADI-3ESL-SW** 68 1/4"L x 17 1/4"W x 12 3/4"H

### TOP RIM:

- Heavy gauge, 300 Series stainless steel
- Overhang on front, back and ends w/locking tabs
- Vinyl foam gasket as sealant
- Die-stamped openings - 12-1/16" x 20-1/16"

### HEAT COMPARTMENTS:

- 6-1/4" deep stainless steel liner, wet or dry operation
- Voltage/Phase/Watt
  - 120 Volt/1 Ph/750 watt element
  - 208 Volt/1 Ph/900 watt element
  - 240 Volt/1 Ph/1200 watt element
- Insulated bottom
- Individual open drains

### CONTROL PANEL:

- Stainless steel face plate, plastic knobs
- UL approved
- Infinite switch controls in remote box

### EXTERIOR HOUSING

- Heavy gauge paint grip steel

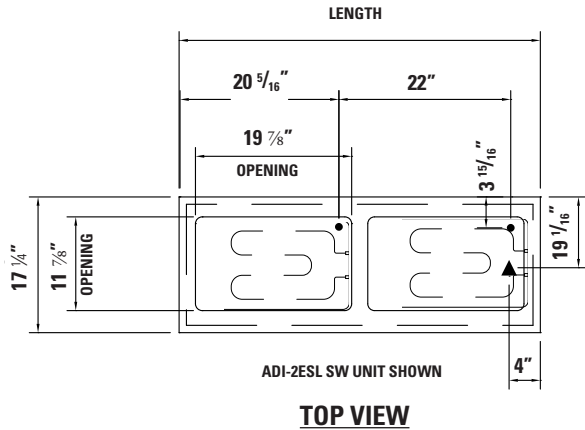
### SHORT FORM SPECIFICATIONS:

**Duke Drop-In - Slimline - Hot Food - Electric - Sealed Wells.**  
 Top flange of heavy gauge 300 series s/s with overhang on 4 sides, 12-1/16" x 20-1/16" die-stamped hot food openings, 6-1/4" deep liner, fully insulated, with remote control panel, s/s top and interior liner, heavy gauge paint grip steel exterior housing, infinite switch controls, sealed wells with drains

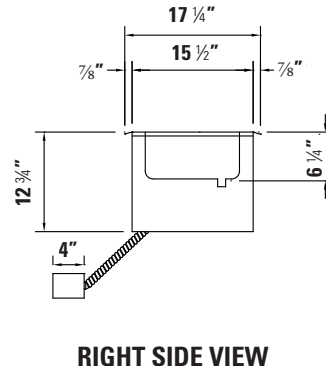
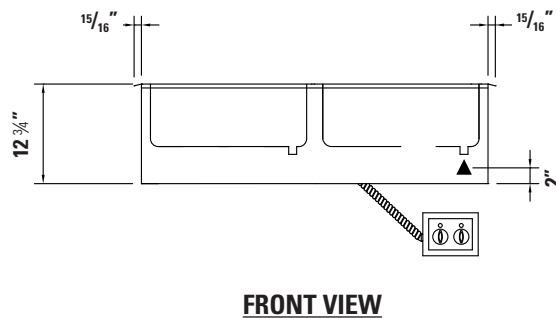


**DROP-INS - SLIMLINE  
HOT FOOD - ELECTRIC - SEALED WELL**

- **ADI-1ESL-SW** 24 ¼"L x 17 ¼"W x 12 ¾"H
- **ADI-2ESL-SW** 46 ¼"L x 17 ¼"W x 12 ¾"H
- **ADI-3ESL-SW** 68 ¼"L x 17 ¼"W x 12 ¾"H



<b>LEGEND</b>	
▲	- ELECTRICAL CONNECTION
●	- DRAIN CONNECTION
Allow 4" gap between controls and unit	



**DIMENSIONS**

FREIGHT CLASS: 100

Model	Length		Width		Height		Top Openings	Cutout Length		Cutout Width		Control Panels	Cube ft. crated	Weight	
	in.	cm	in	cm	in	cm		in	cm	in	cm			lbs	kg
<b>ADI-1ESL-SW</b>	24 ¼	61.6	17 ¼	43.8	12 ¾	32.4	1	23	58.4	16	40.6	1	7.7	80	36.4
<b>ADI-2ESL-SW</b>	46 ¼	117.5	17 ¼	43.8	12 ¾	32.4	2	45	114.3	16	40.6	1	13.3	135	61.4
<b>ADI-3ESL-SW</b>	68 ¼	173.1	17 ¼	43.8	12 ¾	32.4	3	67	170.2	16	40.6	1	19.0	185	84.1

**REMOTE CONTROL CUTOUT IS 9" X 4-3/8"**

ELECTRICAL SPECIFICATIONS: (Consult factory for 3-phase electrical requirements and other options)

Model	120 Volt/750 Watt		208 Volt/900 Watt		240 Volt/1200 Watt	
	watts	amps	watts	amps	watts	amps
<b>ADI-1ESL-SW</b>	750	6.3	900	4.3	1200	5.0
<b>ADI-2ESL-SW</b>	1500	12.5	1800	8.7	2400	10.0
<b>ADI-3ESL-SW</b>	2250	18.8	2700	13.0	3600	15.0

**DUKE MANUFACTURING CO.**

2305 N. Broadway  
St. Louis, MO 63102

800.735.3853 Toll Free  
314.231.1130 In Missouri  
314.231.5074 Fax  
www.dukemfg.com

