



LEGEND™

Heavy-Duty 36" (914mm) Gas Range

Item No. _____

Project _____

Quantity _____

(-0G) Top Series



Model 136-0G

SHORT/BID SPECIFICATION

Range shall be a Montague **Legend** Model [Specify one]:

- 136-0G**, with front vented 40,000 BTU/hr conventional oven with counterweighted door, porcelainized steel interior, three-position rack guides and one wire pan rack standard
- V136-0G**, with indirect-fired 40,000 BTU/hr convection oven with counterweighted door, porcelainized steel interior, five-position rack guides and three wire pan racks standard
- 36-0G**, with open front cabinet base with two shelves;
- M36-0G**, with 28" (711mm) high modular stand with stainless steel tubular legs;

...a 36" (914mm) wide heavy duty gas fired unit with a 24" (610mm) wide griddle with 3/4" (19mm) thick precision ground cook surface, 2" (51mm) high splash, 2-5/8" (67mm) wide front grease trough with drop to front grease receptacle and three 15,000 BTU/hr burners; plus one front fired Gradient-Heat 18,500 BTU/hr 12" (305mm) wide solid hot top with one-piece cast iron plate, provided with individual burner controls and automatic standing pilots; with stainless steel front and exterior bottom, black-painted sides and 4" (102mm) high flue riser and 3" (76mm) deep front rail standard; plus all the features listed and options/accessories checked:

RANGE TOP FEATURES:

One 24" wide x 28" deep (610 x 711mm) griddle top, positioned left, with

- 3/4" (19mm) thick precision-ground steel cook surface
- 4" (51mm) high backsplash and tapered side-splashes
- 2-5/8" (67mm) wide front grease trough pitched to grease receptacle
- Built-in 2-1/8" (54mm) hanging grease receptacle
- Three 15,000 BTU/hr gas burners with standing pilots & gas control valves
- Adjusting bolts for changing griddle forward pitch

MODEL GUIDE		
Model No.	Base Style/Type	-0G Range Top
136-0G	With Standard Oven	
V136-0G	With Convection Oven	
36-0G	With Cabinet Base	
M36-0G	With Modular Stand	

One 12" wide x 31" deep (305 x 787mm) Hot Top positioned right, with:

- Heavy cast iron precision ground plate
- Cast iron front fired GRADIENT HEAT 18,500 BTU/hr burner
- Heat transfer studs cast in plate bottom
- 2" (51mm) side and front flanges to isolate heat under plate
- Insulating partition between top sections

STANDARD (136-0G MODEL) OVEN FEATURES:

- 26-5/8" wide x 28" deep x 15" (676 x 711 x 381mm) high cooking compartment
- Accepts 18" x 26" (457 x 660mm) pans sideways or lengthwise
- Front venting oven design for more even cooking
- Heavy duty counterweighted oven door — no springs!
- Three position adjustable nickel-plated rack supports, with one rack standard
- Interior panels and door porcelain lined for long life & easy cleaning
- Low-to-500°F (260°C) thermostat mounted in insulated cool zone
- 40,000 BTU/hr cast iron burner with automatic ignition safety pilot

CONVECTION (V136-0G MODEL) OVEN FEATURES:

- 26-5/8" wide x 22-1/4" deep x 15" high (676 x 565 x 381mm) cooking compartment
- Muffled, indirect fired design with blower, for fast even cooking
- Heavy duty counterweighted oven door — no springs
- Five position adjustable nickel-plated rack supports, with three racks standard
- Interior panels and door porcelain lined for long life & easy cleaning
- Low-to-500°F (260°C) thermostat mounted in insulated cool zone
- 40,000 BTU/hr cast iron burner with automatic ignition safety pilot
- 6' (1829mm) cord with 3-prong plug (grounding NEMA 5-15P)

STANDARD CONSTRUCTION FEATURES:

- Satin finish stainless steel front and exterior bottom with 3" (76mm) deep front rail
- Other surfaces painted black with electrolytic zinc undercoating
- Stainless steel 4" (102mm) rear flue riser standard
- 6" (152mm) adjustable stainless steel legs standard (Except M36-0G Model)
- 28" (711mm) stainless steel tubular legs standard with M36-0G Model
- Cabinet base with sides, back panel and two shelves on 36-0G Model
- 1-1/4" NPT front gas manifold with 1/2 union on each end

AGENCY APPROVALS:

- NSF Listed
- ETL Design Certified to ANSI Z83.11 • CSA 1.8
- CE Approved • EN 203-1



HDS-4 [Rev. 1/17]

Item No. _____

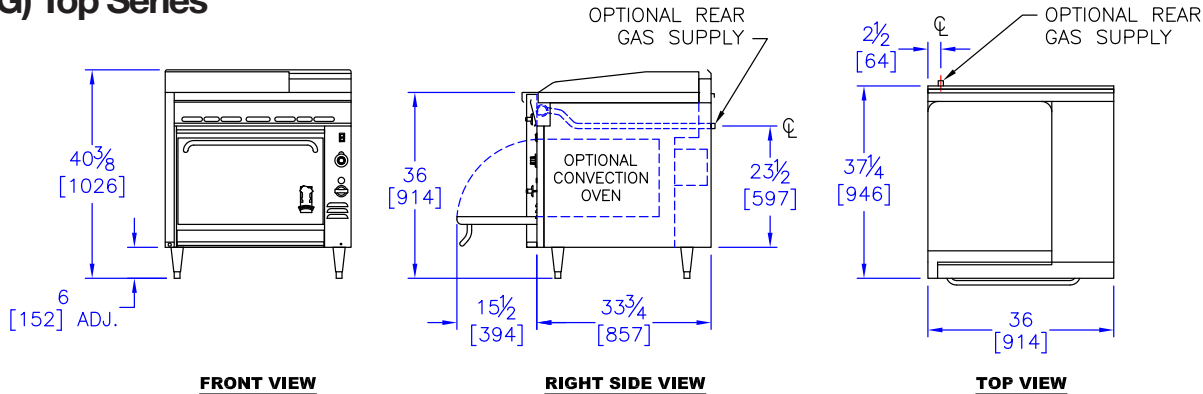
Project _____

Quantity _____

LEGEND™ Heavy-Duty 36" (914mm) Gas Range

(-0G) Top Series

Dimensions in brackets are millimeters



OPTIONS GUIDE:

Griddle:

- 450° Thermostatic Control [one for 24" griddle]
- 550° Thermostatic Control [one for 24" griddle]
- 1" (25mm) thick griddle plate
- 1" (25mm) thick grooved griddle plate
- 34" (864mm) deep plate [Add Suffix: -40]
- Ext. griddle over two ranges [72" (1829mm) max.]
- 42" (1067mm) range depth [Add Suffix: -40]

Back Panels/Shelves:

- 18" (457mm) high back
- Single high shelf
- Double high shelf
- 6" (152mm) wide stainless steel plate shelf
- 8" (203mm) wide stainless steel plate shelf
- Cabinet door

Electrical (V136):

- 120 V, 1-phase, 60 Hz, 3.4 A (standard, with 6' (1.8m) NEMA 5-15P power cord)
- 208-240 V, 1-phase, 60 Hz, 1.7 A

- 230 V, 1-phase, 50 Hz, 3.9 A

Oven:

- Cast iron oven bottom
- Extra oven racks: ____ea.
- 650°F (343°C) finishing oven with cast iron oven bottom - includes cast iron oven bottom option [see Heavy Duty option page HDS-48]

Manifolds: [Left rear with pressure regulator]:

- 1" NPT up to 400,000BTU/hr

Manifold Cap:

- left side right side

Stainless Manifold Cover:

- left side right side

Controls: [see Heavy Duty option page HDS-48]

- Electronic rangetop pilot ignition; electronic oven control (V136 & 136 ovens only)
- ↓ Flame failure rangetop safety valves
- ↑ Electronic rangetop pilot ignition & flame failure rangetop safety valves; electronic oven

control (V136 & 136 ovens only)

Finish:

- Stainless steel left side panel
- Stainless steel right side panel
- Stainless steel back panel
- Stainless steel shelves and side panels [36-0G Cabinet Model]

Special Finish: [Consult Factory]

General:

- Casters — set of four 127mm casters
- Flanged feet with holes

Flex Connector Kit [1" NPT:

- 3' (914mm) 4' (1219mm)

Security Options/Prison Package

[Consult Factory]

International Approvals:

- CE - Conformance Européenne - EN203-1 Includes flame failure valve option
- Canadian Approval

INSTALLATION REQUIREMENTS & SHIPPING INFORMATION

- Ovens & ranges must be installed in accordance with local codes or in their absence with the National Fuel Gas Code: ANSI Z223.1; CAN/CGA-B149.1 Natural Gas and Propane Installation Code, as applicable. Compliance with codes is the responsibility of the Owner and Installer.
- An adequate ventilation system is required. Refer to National Fire Protection Association No. 96, Standard for Ventilation Control and Fire Protection of Commercial Cooking Operations.
- This appliance is intended for commercial use by professionally trained personnel. NOT intended for Residential Use.
- Specify installation elevation: _____ if above 2,000 ft (610m).
- GAS INLET SIZE (All Models): 1-1/4 (32mm) front manifold with 1/2 union on each end provided for battery connection. A properly sized gas pressure regulator must be furnished by the Installer.
- The incoming gas line pressure into the regulator should be 8"-14" w.c. for natural gas, and 12"-14" w.c. for propane gas.

Minimum Clearances	Combustible Construction	Noncombustible Construction
From Back Wall*	2" (51mm)	0"
Left & Right Side	6" (152mm)	0"
With 6" (152mm) legs	Suitable for installation on combustible floors	
*V136 models require 2" (51mm) for motor clearance at rear.		
Curb installation requires a minimum toe space depth of 2" (51mm). Consult factory for details on installing convection oven range bases on curbs.		

Specify Type of Gas:		<input type="checkbox"/> Natural	<input type="checkbox"/> Propane	<input type="checkbox"/> FFV †	Electrical	Shipping Weight	Shipping Class	Cube (Crated) ft³/m³
Gas Delivery Pressure:		6.0" WC	10.0" WC	Natural/Propane	120V			
Models:	Burners	BTU/hr* (kW)	BTU/hr* (kW)	BTU/hr* (kW)	Amperage			
136-0G	5	103,500 (30.3)	103,500 (30.3)	103,500 (30.3)	---	670 lbs (304 kg)	85	32/.9
V136-0G	5	103,500 (30.3)	103,500 (30.3)	103,500 (30.3)	3.4	700 lbs (317 kg)	85	32/.9
36-0G	4	63,500 (18.6)	63,500 (18.6)	63,500 (18.6)	---	470 lbs (213 kg)	85	32/.9
M36-0G	4	63,500 (18.6)	63,500 (18.6)	63,500 (18.6)	---	400 lbs (181 kg)	85	18/.5

*Add 15,000 BTU/hr (4.4 kW) for 42" (1067mm) deep Griddle Top [-40] and thermostatically controlled griddle. Entry Clearance: 30" (762mm) uncrated, with legs removed [All Models]

Due to continuous product improvements, specifications are subject to change without notice.



THE MONTAGUE COMPANY
 1830 Stearman Avenue, Hayward, CA 94545
 800 345-1830 • Fax: 510 785-3342
 www.montaguecompany.com



HDS-4 [Rev.2 /17]