



LEGEND™ Heavy-Duty Refrigerated Chef Bases

Item No. _____

Project _____

Quantity _____



Model RB-72-SC Refrigerated Chef Base shown with optional Marine Top and casters

SHORT/BID SPECIFICATION

Refrigerated base shall be a Montague **Legend** Refrigerated Chef Base:

- RB-___** [Specify width: 36" (914mm), 48" (1219mm), 60" (1524mm), 72" (1829mm), 84" (2134mm), 96" (2438mm) or 108" (2743mm)]
 - ___ [Specify: **R** = Remote Refrigeration (condensing unit by others) or **SC** = Self Contained Refrigeration Package]

...heavy-duty low ergonomic-height low profile refrigerator designed to support heavy countertop cooking equipment with integrated transition base, 304 Stainless steel front, sides, top, bottom and back, Digital Thermometer, Turbo Coil powered evaporator coil, Heavy-duty, full extension ventilated drawer system, with 2" (51mm) thick foamed in place, environmentally friendly, Non GWP, Non ODP, Kyoto Protocol compliant, polyurethane foam and 6" (152mm) high stainless steel height-adjustable legs standard; plus all the features listed and options/accessories checked:

REFRIGERATION PACKAGE FEATURES:

- SC Self-Contained Models:**
- Energy efficient hermetic compressor/condenser system
 - Hot Gas Condensate System
 - Coated evaporator coil by Turbo-Coil
 - Digital thermostat temperature control
 - 6' (1829mm) power cord with grounded NEMA plug
 - Compressor compartment on right end
 - Condenser coil screen- Removable/ washable
 - Three year standard parts and labor warranty
 - Five year parts and labor warranty on Compressor
 - Five year parts and labor warranty on Turbo-Coil coated evaporated coil
- R Remote Models**
- Fully assembled evaporator coil, expansion valve, solenoid, and thermostat
 - Coated evaporator coil by Turbo Coil
 - Digital thermostat temperature control.
 - 6" (153mm) power leads with field access junction box
 - Three-year standard parts and labor warranty
 - Five year parts and labor warranty on Turbo-Coil coated evaporated coil
 - Refrigeration, drain line and electric connection will be stubbed out as specified: **LE** left-end, **RE** right-end, **BL** back-left, **BR** back-right

Self-Contained MODEL GUIDE

Model Number	Unit Width Inches (mm)	Drawers: Width & No.			Total Full Pans
		14-3/8" (356mm)	22-3/8" (568mm)	27-1/4" (692mm)	
RB-36-SC	36" (914)	2			2
RB-48-SC	48" (1219)			2	4
RB-60-SC	60" (1524)	2	2		6
RB-72-SC	72" (1829)		2	2	8
RB-84-SC	84" (2134)			4	8
RB-96-SC	96" (2438)		4	2	12
RB-108-SC	108" (2743)			6	12

Remote Refrigeration MODEL GUIDE

Model Number	Unit Width Inches (mm)	Drawers: Width & No.			Total Full Pans
		14-3/8" (356mm)	22-3/8" (568mm)	27-1/4" (692mm)	
RB-36-R	36" (914)			2	4
RB-48-R	48" (1219)	2	2		6
RB-60-R	60" (1524)		2	2	8
RB-72-R	72" (1829)			4	8
RB-84-R	84" (2134)		4	2	12
RB-96-R	96" (2438)			6	12
RB-108-R	108" (2743)		6	2	16

HEAVY-DUTY DRAWER SYSTEM FEATURES:

- Full extension, 250 lbs (45 kg) individual drawer weight capacity
- Can accommodate up to 6" (152mm) deep, 12" x 20" (305 x 508mm) pans in top drawer and 4" (102mm) in the bottom drawer
- Heavy 14-gauge stainless steel track system
- Tandem 2" (51mm) diameter stainless steel wheels
- Full length recessed drawer handles
- Self closing drawers are easily removed for cleaning
- Removable /replaceable magnetic drawer gaskets
- Lifetime warranty on drawer slides

STANDARD BASE CONSTRUCTION:

- Low profile for ergonomic countertop equipment work height
- All welded construction
- 304 Stainless Steel front, top & sides, back & bottom
- Digital thermometer
- Interior liner is stainless steel with 1/4" (6mm) radius corners
- 2" (51mm) thick environmentally friendly, Non Ozone Depletion Potential, Non Global Warming Potential, high density polyurethane foam insulation
- 6" (152mm) height-adjustable stainless steel legs standard

AGENCY APPROVALS

- UL Classified EPH-STD NSF-7
- UL Listed



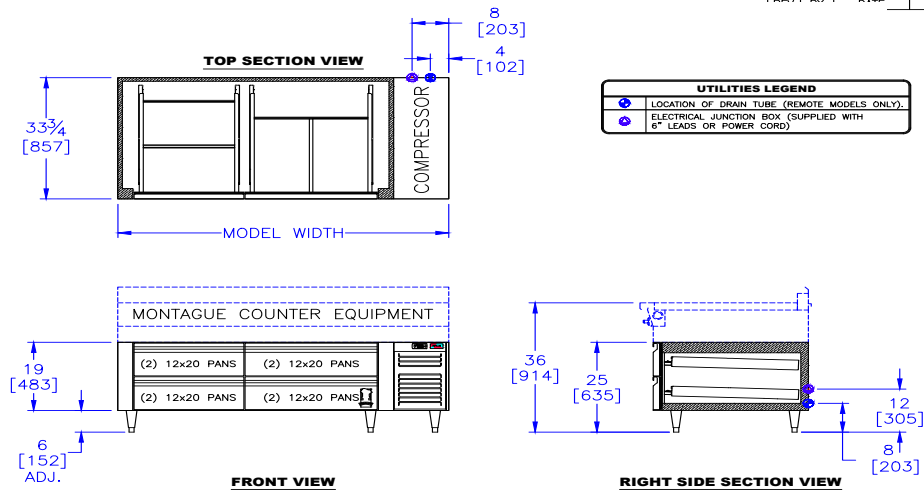
RF-1 [Rev. 1/18]

LEGEND™ Heavy-Duty Refrigerated Chef Bases

Item No. _____

Project _____

Quantity _____



Dimensions in brackets are millimeters

OPTIONS GUIDE:

- 6" (152mm) diameter casters [4-8 depending on width]
- Curb mounting [Consult Factory]
- Stainless steel top with marine edge

Custom Options (Consult Factory):

- Custom sizes & configurations
- Compressor compartment on left
- Drawer padlocking
- Fixed Gaskets

Remote Refrigerants:

- 404A
- Other, consult factory

INSTALLATION REQUIREMENTS & SHIPPING INFORMATION

- Montague refrigerated bases are designed and sized for use with Montague Legend Heavy-Duty Countertop cooking equipment. [See Legend Countertop Specification Sheets.]
- Follow installation, ventilation and wall clearance requirements for the countertop cooking equipment mounted on the refrigerated base.
- Unit to be leveled and plumbed at installation for proper drain function

Minimum Clearances	Always follow clearances of top mounted equipment
From Back Wall	2" (51mm)
Right Side -SC Models	0"*** (152mm)

***Consult factory for custom installations and specific model configurations

Electrical Requirements								Shipping Weight	Shipping Class	Cube (Crated) ft ³ /m ³
Model:	Length Inches (mm)	HP*	Voltage	Phase	Amps	NEMA Plug	BTU's			
RB-36-R	36" (914)	—	115	1	1.08	N/A	2400	350 lbs (159 kg)	85	13/.4
RB-48-R	48" (1219)	—	115	1	1.68	N/A	3285	400 lbs (181 kg)	85	18/.5
RB-60-R	60" (1524)	—	115	1	2.04	N/A	3430	450 lbs (204 kg)	85	23/.7
RB-72-R	72" (1829)	—	115	1	2.04	N/A	3720	500 lbs (227 kg)	85	27/.8
RB-84-R	84" (2134)	—	115	1	3.00	N/A	4920	550 lbs (249 kg)	85	32/.9
RB-96-R	96" (2438)	—	115	1	3.00	N/A	5210	600 lbs (272 kg)	85	36/1
RB-108-R	108" (2743)	—	115	1	3.96	N/A	5475	780 lbs (354 kg)	85	41/1.1
RB-36-SC	36" (914)	1/3	115	1	7.74	5-15P	1750	470 lbs (213 kg)	85	13/.4
RB-48-SC	48" (1219)	1/3	115	1	7.74	5-15P	2040	495 lbs (225 kg)	85	18/.5
RB-60-SC	60" (1524)	1/3	115	1	11.6	5-15P	3225	525 lbs (238 kg)	85	23/.7
RB-72-SC	72" (1829)	1/3	115	1	11.6	5-15P	3430	550 lbs (249 kg)	85	27/.8
RB-84-SC	84" (2134)	1/2	115	1	12.36	5-20P	3720	625 lbs (283 kg)	85	32/.9
RB-96-SC	96" (2438)	1/2	115	1	12.36	5-20P	4920	700 lbs (317 kg)	85	36/1
RB-108-SC	108" (2743)	1/2	115	1	12.36	5-20P	5210	875 lbs (397 kg)	85	41/1.1

HP = Motor Horsepower

Due to continuous product improvements, specifications are subject to change without notice.



THE MONTAGUE COMPANY

1830 Stearman Avenue, Hayward, CA 94545
 800 345-1830 · Fax: 510 785-3342
 www.montaguecompany.com

