



Project _____

Item # _____

Quantity _____

Intelligent Heated Display Cabinet with Humidity

Models: IHDCH-28, -45

Hatco's Intelligent Heated Display Cabinet with Humidity is the perfect way to showcase your pizzas and more. Regulating air temperature while at the same time balancing the humidity level provides the best environment for food products. With 360° viewing, and LED lighting, your food is guaranteed to get all the attention.

Standard features

- The IHDCH-28, our NEW half-size cabinet, has an option for a full door in the front, allowing self-service for customers
- Air flow pattern is designed to maintain consistent cabinet temperature without drying out food
- Air flow system enables the cabinet to recover temperature rapidly after opening and closing a door
- LCD touchscreen display on back of unit controls temperature, humidity and up to eight timers for each food location
- USB port in back of unit makes it easy to establish standard, pre-programmed settings for consistency and reliability
- Adjustable arms or shelves (IHDCH-28 only) can move up and down the back supports
 - IHDCH-28 unit can hold up to three shelves, three support arms, or a combination
 - IHDCH-45 unit can hold up to six pizza arms
- Arms
 - IHDCH-28 will hold a maximum 22" (558 mm) pizza pan
 - IHDCH-45 diameter can open up to 19.5" (495 mm) and can hold up to 8.5 lbs. (365 kg)
- Energy efficient LED lighting illuminates food display
- Lighted Power On/Off (I/O) switch
- Stainless steel construction and stainless steel finish



IHDCH-28 with accessory arms and shelf



IHDCH-45 with accessory Pizza Risers

Options (available at time of purchase only)

- Designer Colors – Non-standard colors are non-returnable
 - Stainless Steel standard
 - Unit in Designer Black
- Four Adjustable Arms in Designer Black in lieu of Stainless Steel arms (IHDCH-45 only)
- Inside base in Designer Black in lieu of Stainless Steel base
 - IHDCH-28 IHDCH-458
- Front, swing out, self closing door (IHDCH-28 only)

Accessories

- Adjustable Arm for IHDCH-28
 - in Stainless Steel in Designer Black
- Adjustable Arm for IHDCH-45
 - in Stainless Steel in Designer Black
- Shelf for IHDCH-28
 - in Stainless Steel in Designer Black
- Riser (12" diameter x 1.25" H [32 mm])
 - in Stainless Steel in Designer Black
- Front Door Lock (IHDCH-28 only)
- Reverse Osmosis System with storage tank (EVERPURE model LVRO-75HE)
- Water Pressure Regulator Kit (regulator, gauge and shut-off valve)
- Sign Holders (signs not included) – recommended sign size: 2" x 3.5"
 - Sits on base of unit in Stainless Steel
 - Sits on base of unit in Designer Black
 - Customer left-hand side in Stainless Steel (clips onto Arm)
 - Customer left-hand side in Designer Black (clips onto Arm)
 - Customer right-hand side in Stainless Steel (clips onto Arm)
 - Customer right-hand side in Designer Black (clips onto Arm)

For operation, location and safety information, please refer to the Installation & Operating Manual.



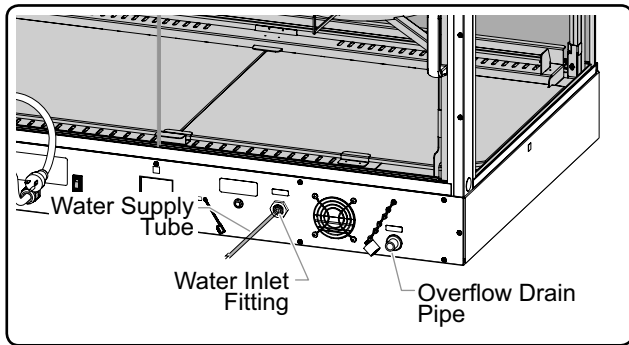
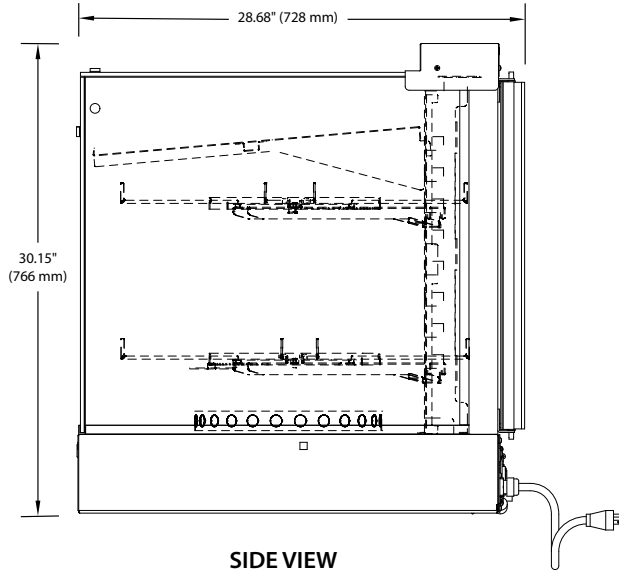
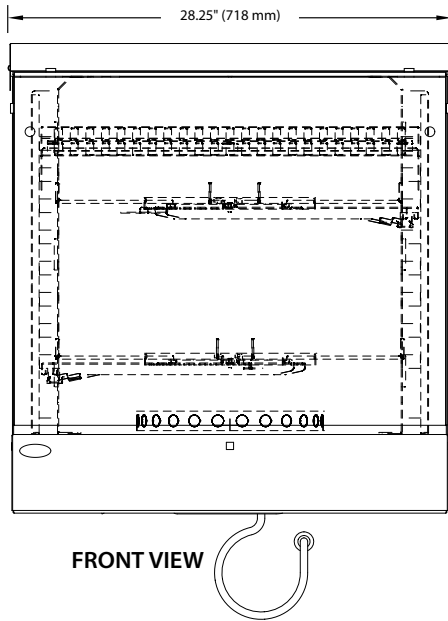
HATCO CORPORATION | P.O. Box 340500 Milwaukee, WI 53234-0500 U.S.A.
(800) 558-0607 | (414) 671-6350 | www.hatcocorp.com | support@hatcocorp.com



Intelligent Heated Display Cabinet with Humidity

Models: IHDCH-28, -45

IHDCH-28



A water strainer, water filter and 15 feet of plastic tubing is included with the unit to install on the water supply line before it enters the unit.

WATER QUALITY REQUIREMENTS

Incoming water in excess of 3.0 grains of hardness per gallon (GPG) (.75 grains of hardness per liter) must be treated and softened before being supplied to unit(s). Water containing over 3.0 GPG (.75 GPL) will decrease the efficiency and reduce the operating life of the unit.

Note: Product failure caused by liming or sediment buildup is not covered under warranty.

SPECIFICATIONS

Intelligent Heated Display Cabinet with Humidity

Model	Dimensions (W x D x H)	Cabinet Opening (W x H)	Volts	Hz	Watts	Amps	Plug	Ship Weight*
IHDCH-28	28.25" x 28.68" x 30.15 (718 x 728 x 766 mm)	22" x 20.7" (558 x 525 mm)	208	50/60	3090	14.9	NEMA 6-20P	207 lbs. (94 kg)
			240			12.9		

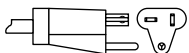
* Shipping weight includes packaging.

CORD LOCATION

Servers side, lower left corner.

PLUG CONFIGURATIONS

NEMA 6-20P



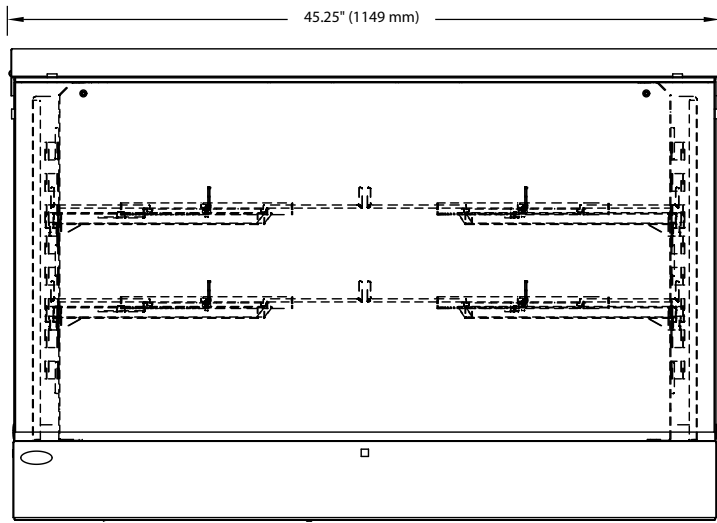
HATCO CORPORATION | P.O. Box 340500 Milwaukee, WI 53234-0500 U.S.A.
 (800) 558-0607 | (414) 671-6350 | www.hatcocorp.com | support@hatcocorp.com



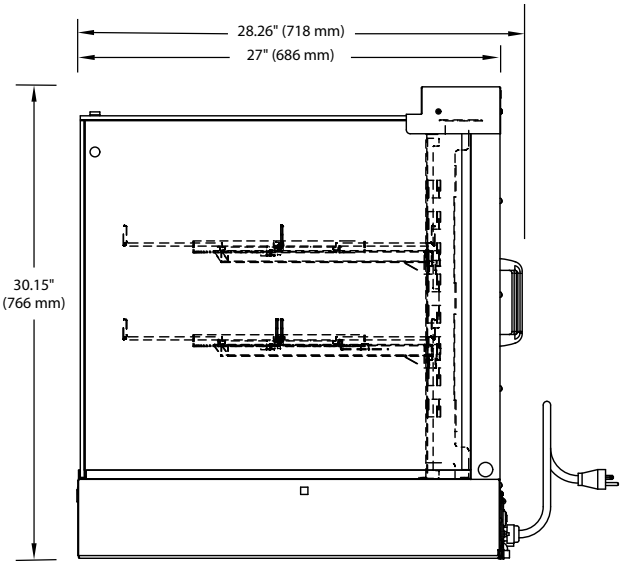
Intelligent Heated Display Cabinet with Humidity

Model: IHDCH-28, -45

IHDCH-45



FRONT VIEW



SIDE VIEW

SPECIFICATIONS Intelligent Heated Display Cabinet with Humidity

Model	Dimensions (W x D x H)	Cabinet Opening (W x H)	Volts	Hz	Watts	Amps	Plug	Ship Weight*
IHDCH-45	45" x 28.29" x 30.15" (1143 x 718 x 766 mm)	18" x 20.87" (457 x 530 mm)	208	50/60	3090	14.9	NEMA 6-20P	270 lbs. (123 kg)
			240			12.9		

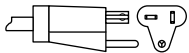
* Shipping weight includes packaging.

CORD LOCATION

Servers side, lower left corner.

PLUG CONFIGURATIONS

NEMA 6-20P



WATER QUALITY REQUIREMENTS

Incoming water in excess of 3.0 grains of hardness per gallon (GPG) (.75 grains of hardness per liter) must be treated and softened before being supplied to unit(s). Water containing over 3.0 GPG (.75 GPL) will decrease the efficiency and reduce the operating life of the unit.

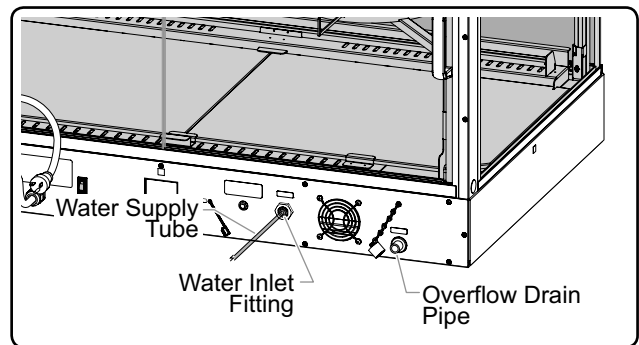
Note: Product failure caused by liming or sediment buildup is not covered under warranty.

PRODUCT SPECS

Intelligent Heated Display Cabinets with Humidity

The Intelligent Heated Display Cabinet with Humidity shall be a Model ..., rated at ... volts and ... watts, as manufactured by the Hatco Corporation, Milwaukee, WI 53234 U.S.A.

The Display Cabinet shall have ... tempered glass top, front and end panels, removeable and adjustable support arms, LCD touch screen controls, timers for 6



A water strainer, water filter and 15 feet of plastic tubing is included with the unit to install on the water supply line before it enters the unit.

to 8 pan locations, USB connection, removable floor sheets, crumb trays under air vents, LED lighting and a 6' (1829 mm) cord with plug attached.

Accessories shall include adjustable arms, risers, reverse osmosis system with water filter and strainer, water pressure regulator kit and sign holders.

Warranty consists of 24/7 parts and service assistance (US and Canada only).