



Project _____
 Item # _____
 Quantity _____

Glo-Ray® Dual Mini-Merchandisers

Models: GRHW-1SGD, -1SGDS

Hatco's convenient Mini-Merchandisers create impulse sales by placing fresh product in front of customers. Using a limited amount of valuable counterspace, these flexible warmers come in a variety of shapes, sizes and colors to hold food samples, hors d'oeuvres and packaged product at just the right temperature. They are ideal for packaged product at any time of the day. Great for delis, supermarkets, convenience stores, kiosks or concession stands.

Standard features

- GRHW-1SGD has a horizontal, stainless steel heated base and a horizontal heated glass shelf (patented)
- GRHW-1SGDS has a slanted, hardcoated heated base and a slanted heated glass shelf (patented)
- Pre-focused infrared top heat directs heat to the outer edges where heat loss is greatest
- Thermostatically-controlled heated base extends holding times of most foods
- Sturdy sneeze guard protects food
- Shatter-resistant incandescent lights enhance product displays while safeguarding food from bulb breakage
- Lighted rocker switch for easy On/Off
- Models come with display lights, 1" (25 mm) rubber legs, 7.5" (191 mm) Sneeze Guard, 6' (1829 mm) cord and plug
- Metal sheathed elements guaranteed against burnout and breakage for two years



GRHW-1SGD
 in standard Black
 with optional Sloped Front
 Sign Holder
 (sign not included)



GRHW-1SGDS
 in standard Black

Options (available at time of purchase only)

- Designer colors – Non-standard colors are non-returnable – Black standard
- Warm Red Black Gray Granite White Granite
 - Navy Blue Hunter Green Antique Copper
- Halogen Bulb in lieu of standard display light (60 watt)
 - Sloped Front Sign Holder

Accessories

- Chef LED Bulbs 230V (50-60 Hz)
 - 2700K warm 3000K warm 4000K cool

For operation, location and safety information, please refer to the Installation & Operating Manual.

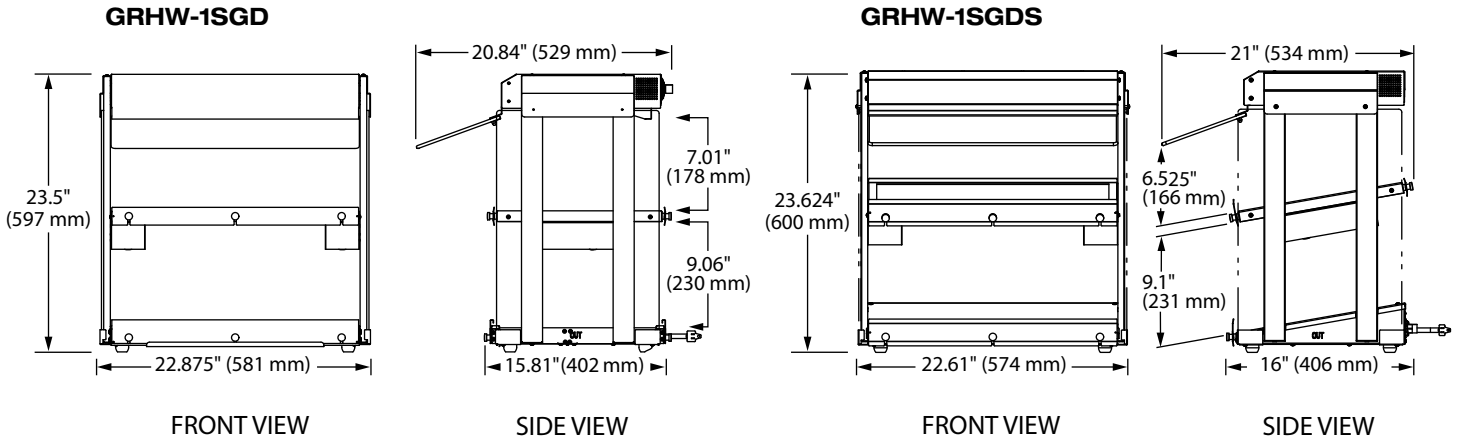


HATCO CORPORATION | P.O. Box 340500 Milwaukee, WI 53234-0500 U.S.A.
 (800) 558-0607 | (414) 671-6350 | www.hatcocorp.com | support@hatcocorp.com



Glo-Ray® Dual Mini-Merchandisers

Models: GRHW-1SGD, -1SGDS



SPECIFICATIONS Glo-Ray® Mini Merchandisers - Duals

The shaded areas contain electrical information for International models

Model	Dimensions (W x D x H) Includes Sneeze Guard	Shelf Dimensions (W x D)	Volts	Watts	Amps	Plug Configuration	Ship Weight*
GRHW-1SGD	22.875" x 20.84" x 23.5" (581 x 529 x 597 mm)	Bottom Shelf: 21" x 13.25" (533 x 337 mm) Top Shelf: 21" x 14" (533 x 356 mm)	120	1330	11.1	NEMA 5-15P	40 lbs. (19 kg.)
GRHW-1SGDS	22.61" x 21" x 23.624" (574 x 534 x 600 mm)	Bottom Shelf: 21" x 14.25" (534 x 363 mm) Top Shelf: 21" x 14" (534 x 356 mm)	120	1330	11.1	NEMA 5-15P	40 lbs. (19 kg.)

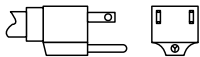
* Shipping weight includes packaging.

CORD LOCATION

Base end plate, same side as switch.

PLUG CONFIGURATIONS

NEMA 5-15P



PRODUCT SPECS

Glo-Ray® Dual Mini-Merchandisers

The Dual Mini-Merchandiser shall be a Glo-Ray® Model ... as manufactured by the Hatco Corporation, Milwaukee, WI 53234 U.S.A.

The warmer shall be rated at ... watts, ... volts, and be ... inches (millimeters) in overall width. It shall consist of a thermostatically-controlled heated base, infrared heat from

above, a patented heated glass center shelf, sneeze guard, incandescent display lights, 1" (25 mm) rubber legs, and a 6' (1829 mm) cord with plug attached.

Warranty consists of 24/7 parts and service assistance (U.S. and Canada only).

HATCO CORPORATION | P.O. Box 340500 Milwaukee, WI 53234-0500 U.S.A.
(800) 558-0607 | (414) 671-6350 | www.hatcocorp.com | support@hatcocorp.com