



Project \_\_\_\_\_  
 Item # \_\_\_\_\_  
 Quantity \_\_\_\_\_

# Flav-R-Savor® Heated Air Curtain Cabinets

Models: FS3HAC-2426, -3026, -3626, -4226

The newest model of our patented Flav-R-Savor® Heated Air Curtain Cabinets has no front doors, which allows your customers easy access to fresh hot products. Heated air at the front of the cabinet is forced downward, forming a "curtain" of heated air. The heated air is then drawn toward the rear of the cabinet, warming each shelf gently and evenly. Hold times of a cabinet with the accessibility of a merchandiser. Perfect for wrapped or unwrapped food product.

## Standard features

- The air temperature range is 70° - 175°F (21° - 79°C)
- Designer powdercoat finish inside and outside for a uniform and sleek look to compliment any environment
- LED lighting on top front and sides, to create balanced lighting which showcases food product
- Removable shelves can be installed to be slanted or horizontal, with removable sign holders on each
- Easy to use digital controls
- Front crumb tray lifts and pivots, and removable glass sides make for easy upkeep
- FS3HAC-2426, -3026 come with one swing-out left hinged rear door, three removable shelves with sign holder in front, crumb tray, 4" (102 mm) legs and 6' (1829 mm) cord and plug
- FS3HAC-3626, -4226 come with sliding glass rear doors, three removable shelves with sign holder in front, crumb tray, 4" (102 mm) legs and 6' (1829 mm) cord and plug



FS3HAC-2426  
 with optional square side cut-outs and sign holder



FS3HAC-4226

## Options (available at time of purchase only)

- Side Control - right- or left-hand side controls - back controls are standard
- Right-Hand side       Left-Hand side
- Right hinged access door in back, in lieu of left hinged access door (FS3HAC-2426, -3026 units only)
- Tiered Shelves, in lieu of standard depth shelves
- Side Product Stops
- Standard depth shelves       Tiered depth shelves
- Square Side Cut-out on sides in lieu of curved side cut-outs
- Sign Holder
- FS3HAC-2426 (Sign dimensions 23.93" x 6.79" ( 608 x 173 mm))
- FS3HAC-3026 (Sign dimensions 29.93" x 6.79" ( 760 x 173 mm))
- FS3HAC-3626 (Sign dimensions 35.93" x 6.79" ( 913 x 173 mm))
- FS3HAC-4226 (Sign dimensions 41.93" x 6.79" (1065 x 173 mm))
- Locking Plug  
 NEMA L14-20P Locking plug in lieu of NEMA 14-20

For operation, location and safety information, please refer to the Installation & Operating Manual.



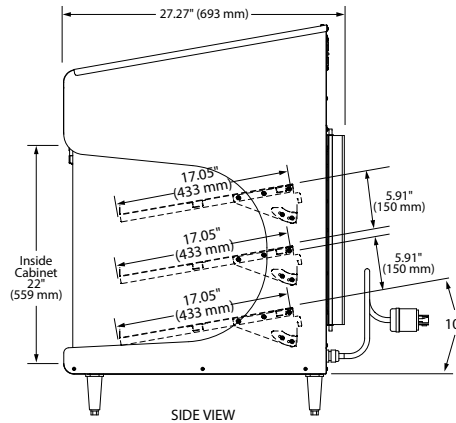
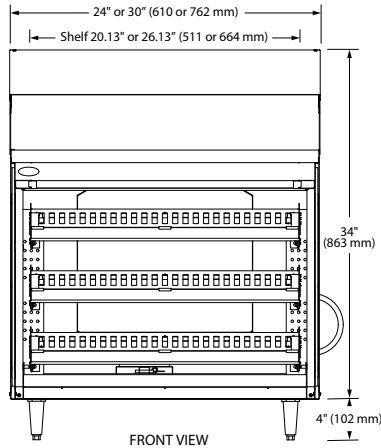
**HATCO CORPORATION** | P.O. Box 340500 Milwaukee, WI 53234-0500 U.S.A.  
 (800) 558-0607 | (414) 671-6350 | www.hatcocorp.com | support@hatcocorp.com



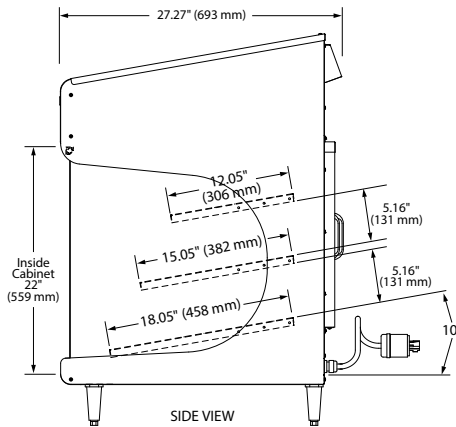
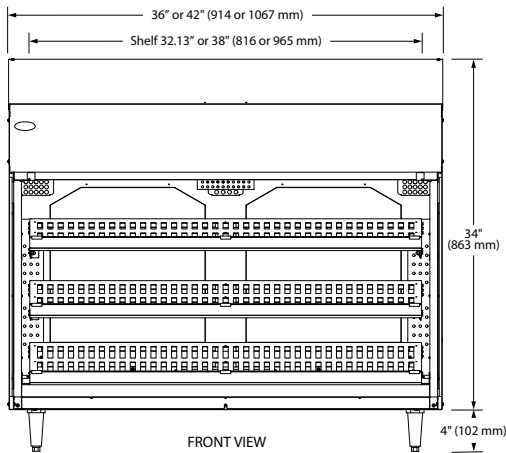
# Flav-R-Savor® Heated Air Curtain Cabinets

Models: FS3HAC-2426, -3026, -3626, -4226

## FS3HAC-2426 AND 3026



## FS3HAC-3626 AND -4226 Shown with optional tiered shelves



## SPECIFICATIONS Heated Air Curtain Cabinets

Model	Dimensions (W x D x H) height includes legs	Chamber Height	Volts	Watts	Amps	Plug	Shipping Weight
FS3HAC-2426	24" x 27.27" x 38" (610 x 693 x 965 mm)	22" (559 mm)	120	1800	15.0	NEMA 5-15P <sup>▲</sup>	183 lbs. ( 83 kg)
FS3HAC-3026	30" x 27.27" x 38" (762 x 693 x 965 mm)	22" (559 mm)	120/208-240	334	13.8	NEMA 14-20P, NEMA L14-20P	211 lbs. ( 96 kg)
FS3HAC-3626	36" x 27.27" x 38" (914 x 693 x 965 mm)	22" (559 mm)	120/208-240	3340	13.8	NEMA 14-20P, NEMA L14-20P	227 lbs. (103 kg)
FS3HAC-4226	42" x 27.27" x 38" (1067 x 693 x 965 mm)	22" (559 mm)	120/208-240	3430	14.3	NEMA 14-20P, NEMA L14-20P	274 lbs. (124 kg)

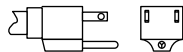
<sup>▲</sup> Canadian models use NEMA 5-20P.

## CORD LOCATION

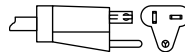
Back of unit bottom left-hand side.

## PLUG CONFIGURATIONS

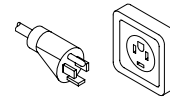
NEMA 5-15P



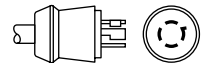
NEMA 5-20P



NEMA 14-20P



NEMA L14-20P



## PRODUCT SPECS

### Heated Air Curtain Cabinets

The patented Heated Air Curtain Cabinet shall be a Flav-R-Savor®, manufactured by the Hatco Corporation, Milwaukee, WI 53234 U.S.A.

The Heated Air Curtain shall be rated at ... watts, ... volts, and be ... inches (millimeters) in overall width.

It shall consist of a powdercoated steel housing, stainless steel front panel, and metal

sheathed heating elements. Heated Air Curtain features easy-to-use digital controls, an On/Off switch, and 6' (1829 mm) cord with plug.

Warranty consists of 24/7 parts and service assistance (US and Canada only).

**HATCO CORPORATION** | P.O. Box 340500 Milwaukee, WI 53234-0500 U.S.A.  
(800) 558-0607 | (414) 671-6350 | [www.hatcocorp.com](http://www.hatcocorp.com) | [support@hatcocorp.com](mailto:support@hatcocorp.com)