



Your Solutions Partner

Specifications

F.O.B Sedalia, Missouri 65301



ADI-3E-SW

OPTIONS:

- 3 phase wiring (except **ADI-1E-SW**)
- Individual valves
- Manifold drains
- Master valve
- Designer Foodshields
- Telescope covers
- Removable S/S carving station
- Adapter Plates
- Adapter Bars

Approval Stamp(s):

PRODUCT INFORMATION:

PROJECT: _____

ITEM: _____

QUANTITY: _____

MODEL:

Drop-Ins - Hot Food Electric - Sealed Well

- ADI-1E-SW** 18 1/4"L x 24 1/4"W x 12 3/4"H
- ADI-2E-SW** 32 1/4"L x 24 1/4"W x 12 3/4"H
- ADI-3E-SW** 46 1/4"L x 24 1/4"W x 12 3/4"H
- ADI-4E-SW** 60 1/4"L x 24 1/4"W x 12 3/4"H
- ADI-5E-SW** 74 1/4"L x 24 1/4"W x 12 3/4"H
- ADI-6E-SW** 88 1/4"L x 24 1/4"W x 12 3/4"H

TOP RIM:

- Heavy gauge, 300 Series stainless steel
- Overhang on front, back and ends w/locking tabs
- Vinyl foam gasket as sealant
- Die-stamped openings - 12-1/16" x 20-1/16"

HEAT COMPARTMENTS:

- 6-1/4" deep stainless steel liner, wet or dry operation
- Sealed element in each compartment
 - 750 watt, 120 Volt/1 Ph
 - 900 watt, 208 Volt/1 Ph
 - 1200 watt, 240 Volt/1 Ph
- Individual open drains

CONTROL PANEL:

- Stainless steel face plate, plastic knobs
- Infinite switch controls in remote box
- 2 panels on units with 4, 5 or 6 wells
- UL approved

EXTERIOR HOUSING

- Heavy gauge paint grip steel

AGENCY LISTING:

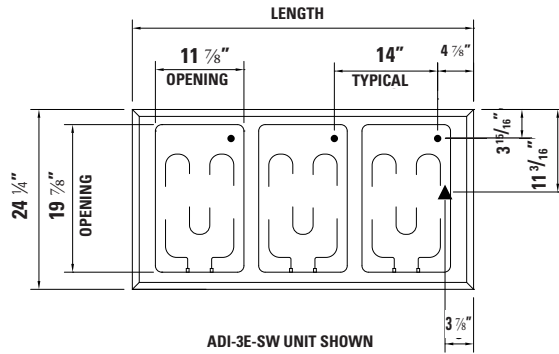


DUKE MANUFACTURING CO.
2305 N. Broadway
St. Louis, MO 63102

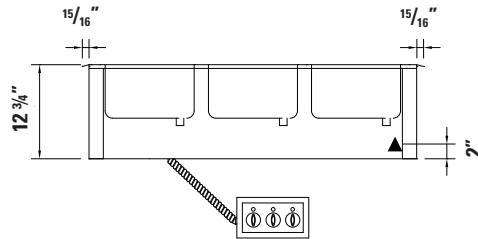
800.735.3853 Toll Free
314.231.5074 Fax
www.dukemfg.com

SHORT FORM SPECIFICATIONS:

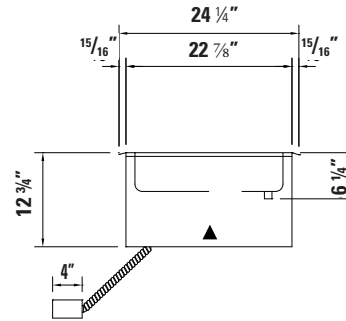
Duke Drop-In - Hot Food - Electric - Sealed Wells. Top flange of heavy gauge 300 series s/s with overhang on 4 sides, 12-1/16" x 20-1/16" die-stamped hot food openings, 6-1/4" deep s/s liner, with remote control panel, s/s top and interior liner, heavy gauge paint grip steel exterior housing, infinite switch controls, sealed wells with drains



TOP VIEW



FRONT VIEW



RIGHT SIDE VIEW

**DROP INS - HOT FOOD
ELECTRIC - SEALED WELLS**

- **ADI-1E-SW** 18 1/4" L x 24 1/4" W x 12 3/4" H
- **ADI-2E-SW** 32 1/4" L x 24 1/4" W x 12 3/4" H
- **ADI-3E-SW** 46 1/4" L x 24 1/4" W x 12 3/4" H
- **ADI-4E-SW** 60 1/4" L x 24 1/4" W x 12 3/4" H
- **ADI-5E-SW** 74 1/4" L x 24 1/4" W x 12 3/4" H
- **ADI-6E-SW** 88 1/4" L x 24 1/4" W x 12 3/4" H

LEGEND	
▲	- ELECTRICAL CONNECTION
●	- DRAIN LOCATION
Allow 4" gap between controls and unit	

FREIGHT CLASS: 100

Model	Length		Width		Height		Top Openings	Cutout Length		Cutout Width		Control Panels	Cube ft. Crated	Weight	
	in	cm	in	cm	in	cm		in	cm	in	cm			lbs	kg
ADI-1E-SW	18 1/4	45.7	24 1/4	61.6	12 3/4	32.4	1	17	43.2	23	58.4	1	8.2	43	19.6
ADI-2E-SW	32 1/4	81.3	24 1/4	61.6	12 3/4	32.4	2	31	78.7	23	58.4	1	13.0	75	34.1
ADI-3E-SW	46 1/4	116.8	24 1/4	61.6	12 3/4	32.4	3	45	114.3	23	58.4	1	17.7	90	40.9
ADI-4E-SW	60 1/4	152.4	24 1/4	61.6	12 3/4	32.4	4	59	149.9	23	58.4	2	22.5	115	52.3
ADI-5E-SW	74 1/4	188.0	24 1/4	61.6	12 3/4	32.4	5	73	185.4	23	58.4	2	27.2	140	63.6
ADI-6E-SW	88 1/4	223.5	24 1/4	61.6	12 3/4	32.4	6	87	221.0	23	58.4	2	32.0	220	100.0

REMOTE CONTROL CUTOUT IS 9" X 4-3/8"

Model	120 Volt/500 Watt		208 Volt/900 Watt		240 Volt/1200 Watt	
	watts	amps	watts	amps	watts	amps
ADI-1E-SW	750	6.3	900	4.3	1200	5.0
ADI-2E-SW	1500	12.5	1800	8.7	2400	10.0
ADI-3E-SW	2250	18.8	2700	13.0	3600	15.0
ADI-4E-SW	3000	25.0	3600	17.3	4800	20.0
ADI-5E-SW	3750	31.3	4500	21.6	6000	25.0
ADI-6E-SW	n/a	n/a	5400	26.0	7200	30.0

DUKE MANUFACTURING CO.
2305 N. Broadway
St. Louis, MO 63102

800.735.3853 Toll Free
314.231.1130 In Missouri
314.231.5074 Fax
www.dukemfg.com



Electrical Specifications:

(Consult factory for 3-phase electrical requirements and other options)